

# P R E F A C E

1. This parts catalog is the last edition of Yanmar crawler backhoe B25 & B25 - 1(for Japan).
2. Parts catalog history

	Parts catalog No.	Published	Remarks
1st edition	000Y00K2650	Sep., 1990	Disuse old edition
last edition	000Y00K2651	Apr., 1996	

3. Model name

SECTION	Column	Model name
I (Vehicle)	(A)	B25(-1) C(R)
	(B)	B25(-1) P(R)
II (Engine)	(A)	3TNC80L - RB

(Remarks) C:cabin, P:canopy, R:rubber crawler

4. Machine No.

Model	M/#	Manufactured
B25	00501~00516	1990/7~1991/3
B25 - 1	10501~10914	1991/4~1992/2
3TNC80L - RB	00107~09375	1990/5~1992/2

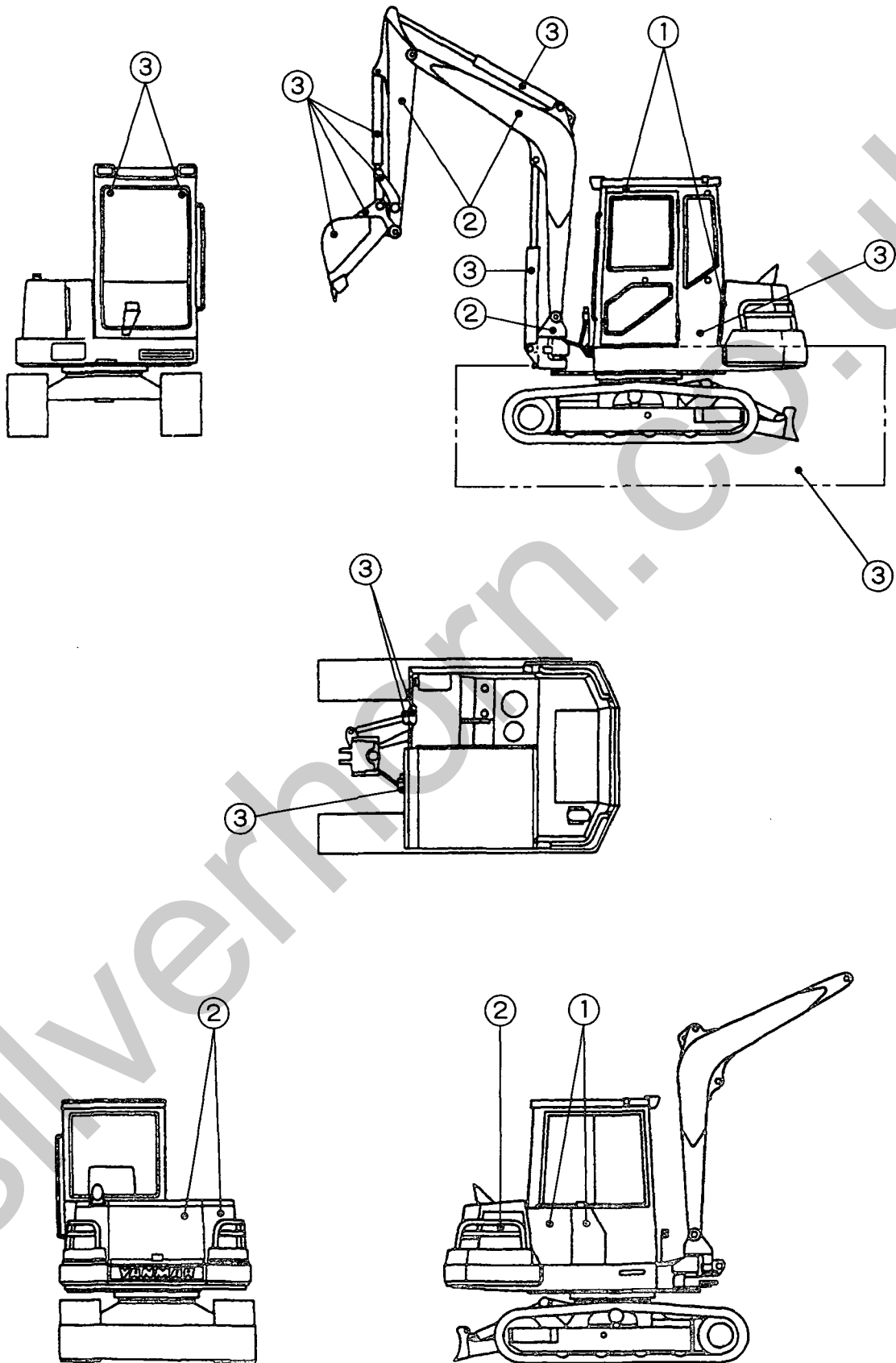
5. Your understanding is asking that this parts catalog is not a technical data manual setting forth as servicing procedures, This parts catalog is using simplified illustration. Be sure to use Yanmar Genuine Parts in your maintenance servicing of Yanmar products. Be careful not to use the simple parts available in the market ; otherwise their use in repairing causes such as an early breakage, for instance.

# SPECIFICATIONS

Name		YANMAR CRAWLER BACK HOE	
Model		B25 - P (R)	B25 - C (R)
Engine	Model	Vertical 3 - cylinder water - cooled diesel	
	Type	3TNC80L - RB	
Dimensions	Transport length	mm	4205
	Transport width	mm	1400
	Transport height	mm	2320
Std. bucket capacity		m <sup>3</sup>	0.07
Std. bucket width		mm	450
Max. digging depth		mm	2600(2780Blade)
Max. cutting height		mm	4440                      3990
Max. dump height		mm	3070                      2680
Max. reach at ground level		mm	4280
Min. turning radius		mm	1590(Right swing 1200)      1845(Right swing 1400)
Boom swing angle		degree	Left 50 • Right 90
Max. digging force		kgf	1850
Travel speed		km/h	2.3 (2.5)
Gradability		degree	30
Average ground pressure		kgf/cm <sup>2</sup>	0.27 (0.26)                      0.28 (0.27)
Std. track shoe width		mm	320
Blade	Width × height	mm	1400 × 340
	Capacity	m <sup>3</sup>	0.162
Machine mass		kg	2450 (2400)                      2570 (2520)

( ) shows to the specification of rubber crawler.

塗装色一覽  
TABLE OF PAINTED COLOR



[本機塗装色]

[PAINTED COLOR LIST]

部所 PART	塗装色 PAINT COLOR	マンセル記号 MUNSEL No.	16ℓ缶 16ℓ CAN	4ℓ缶 4ℓ CAN	スプレー SPRAY
①	ヤンマークリームホワイト YANMAR CREAM WHITE	5.0Y9/1	981101-09614	-----	981101-10140
②	ヤンマーサフランイエロー YANMAR SAFFRON YELLOW	1.0Y7.5/11	981101-91603	-----	977620-30381
③	ヤンマーチャコールグレー YANMAR CHARCOAL GRAY	N2.0	981101-09516	977620-40710	977620-30371

[実施号機]

[EFFECTIVE MACHINE No.]

00501~02040 (初期形) (EARLY TYPE) . . . B25

10501~10914 (マイナーチェンジ) (MINER CHANGE) . . . B25-1

Silverhorn.co.uk

絵目次 (1) . . . . . 主要部品  
 PICTURESQUE INDEX (1) . . . . . MAIN PARTS

銘板 . . . FIG. 1, 2  
 LABEL  
 工具 . . . FIG. 3  
 TOOL

キャノピ . . . FIG. 26  
 CANOPY  
 キャビン . . . FIG. 27  
 CABIN

エアークリーナ&サイレンサ . . . FIG. 4  
 AIR CLEANER & SILENCER  
 エンジンマウント&ラジエータ . . . FIG. 6  
 ENGINE MOUNT & RADIATOR  
 燃料タンク&燃料パイプ . . . FIG. 7  
 FUEL TANK & FUEL PIPE  
 油圧ポンプ&軸継手 . . . FIG. 35  
 HYD. OIL PUMP & JOINT  
 ヒータ . . . FIG. 12  
 HEATER  
 ボンネット . . . FIG. 24  
 BONNET

電装品 . . . FIG. 9, 10  
 ELECTRIC PART  
 シガライター&マニュアルケース . . . FIG. 54  
 CIGAR LIGHTER & MANUAL CASE  
 デフロスタ . . . FIG. 55  
 DEFROSTER  
 ラジオ . . . FIG. 56  
 RADIO

右  
 RIGHT

後  
 REAR

アーム&バケットリンク . . . FIG. 51  
 ARM & BUCKET LINK

操縦装置 . . . FIG. 17~21  
 CONTROL EQUIPMENT  
 3RDバルブコントロール . . . FIG. 58  
 3RD VALVE CONTROL  
 Dパターンリンク . . . FIG. 60  
 D-PATTERN LINK

アームシリンダ . . . FIG. 30  
 ARM CYLINDER

ブーム&ブームブラケット . . . FIG. 50  
 BOOM & BOOM BRACKET

ワークランプ . . . FIG. 11  
 WORK LAMP

作動油タンク . . . FIG. 44  
 HYD. OIL TANK

ブームシリンダ . . . FIG. 28  
 BOOM CYLINDER

スイングシリンダ . . . FIG. 32  
 SWING CYLINDER

ブレード . . . FIG. 53  
 BLADE

バケット . . . FIG. 52, 62~65  
 BUCKET

ブレードシリンダ . . . FIG. 34  
 BLADE CYLINDER

バケットシリンダ . . . FIG. 31  
 BUCKET CYLINDER

グリーシング . . . FIG. 45  
 GREASING  
 油圧配管 . . . FIG. 46~49  
 HYD. OIL PIPING  
 3RDバルブ配管 . . . FIG. 59  
 3RD VALVE PIPING

前  
 FRONT

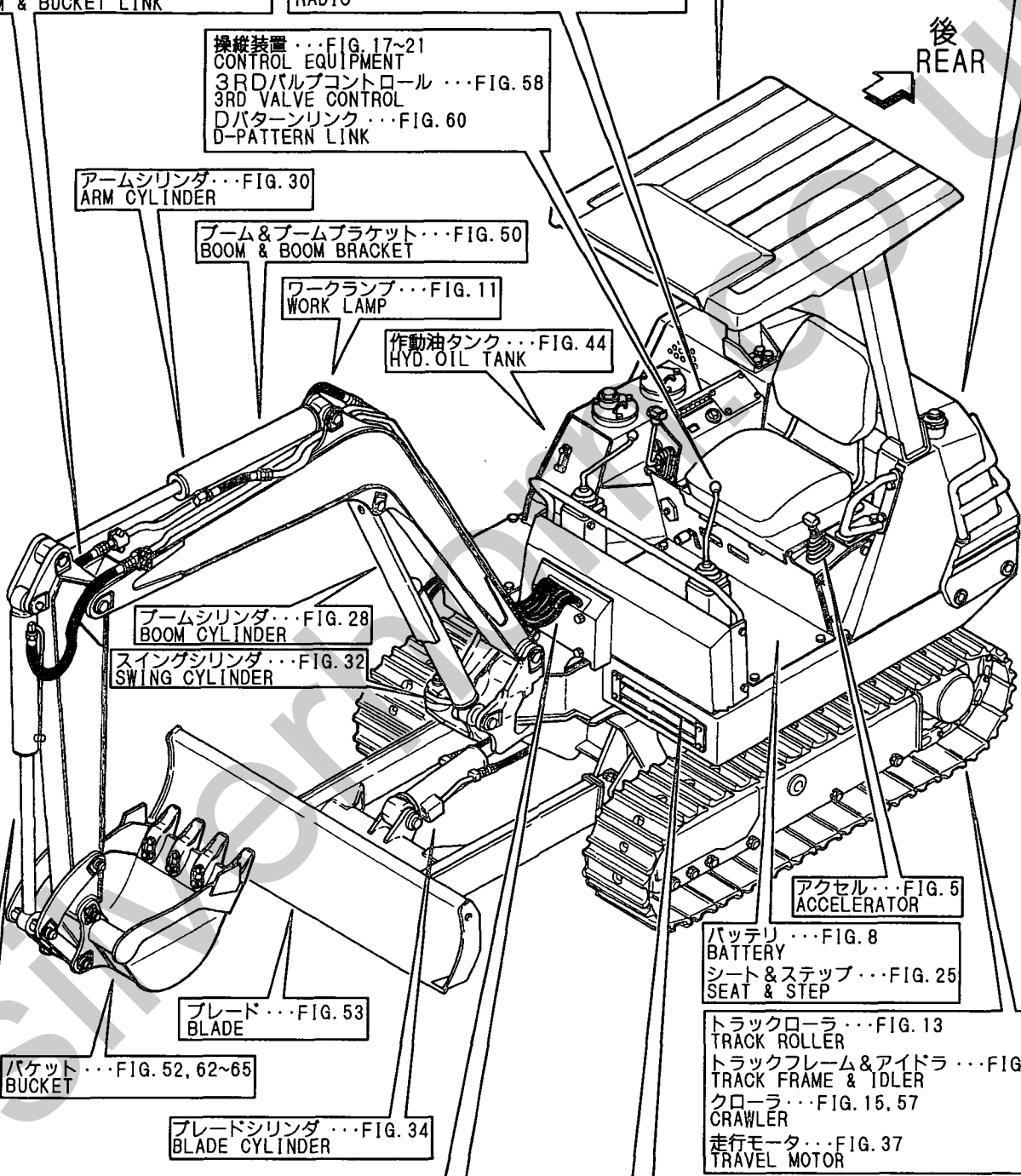
左  
 LEFT

アクセル . . . FIG. 5  
 ACCELERATOR

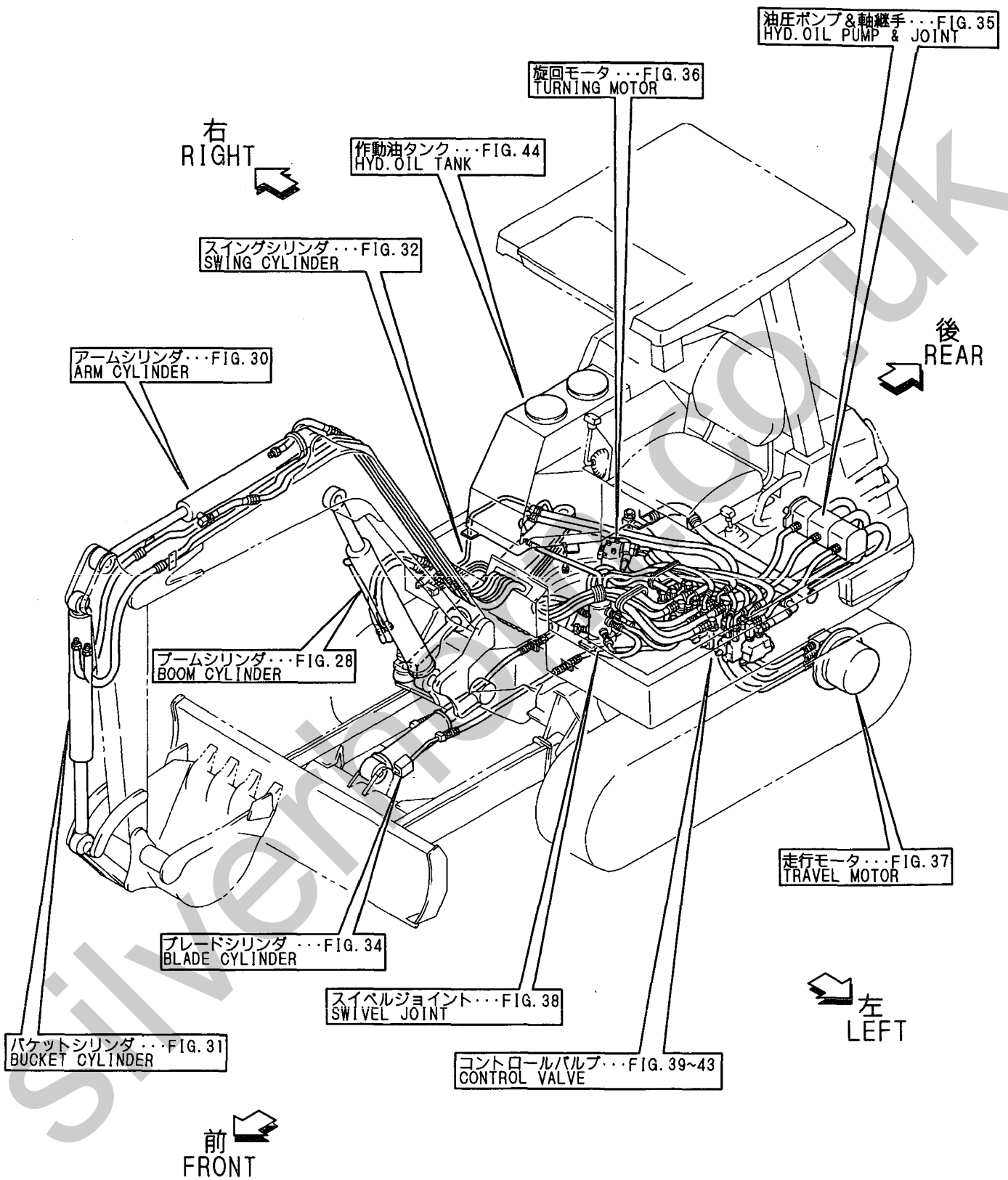
バッテリー . . . FIG. 8  
 BATTERY  
 シート&ステップ . . . FIG. 25  
 SEAT & STEP

トラックローラ . . . FIG. 13  
 TRACK ROLLER  
 トラックフレーム&アイドル . . . FIG. 14  
 TRACK FRAME & IDLER  
 クローラ . . . FIG. 15, 57  
 CRAWLER  
 走行モータ . . . FIG. 37  
 TRAVEL MOTOR

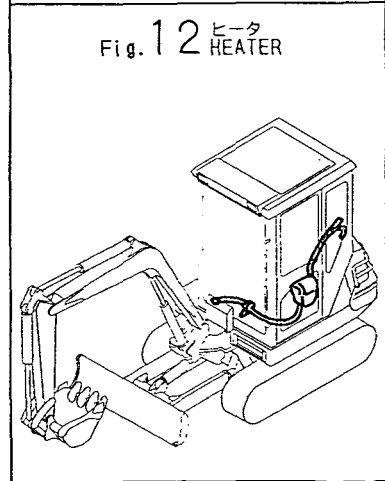
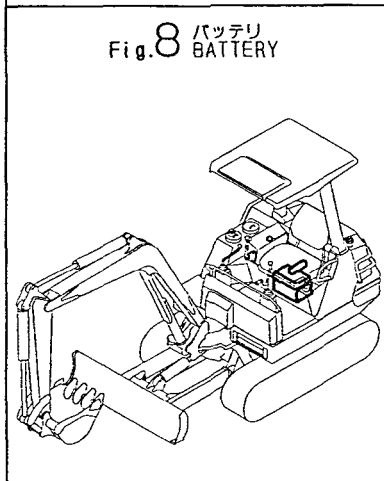
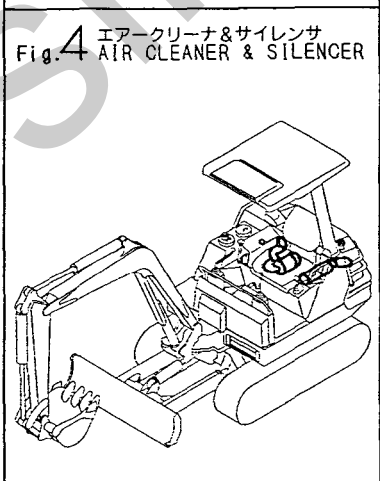
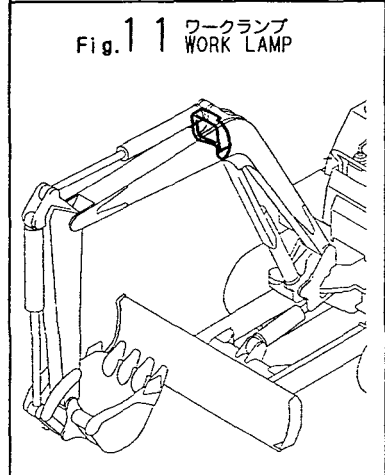
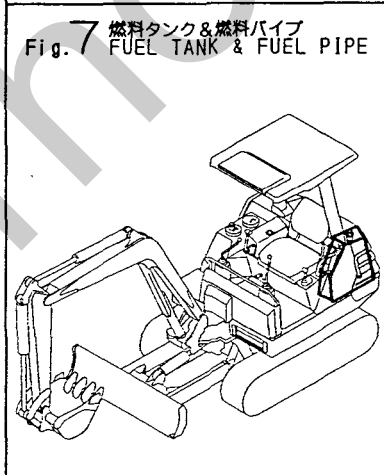
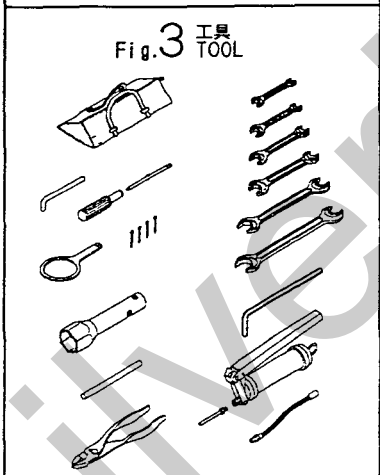
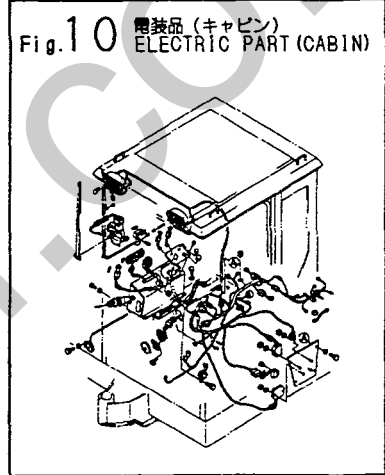
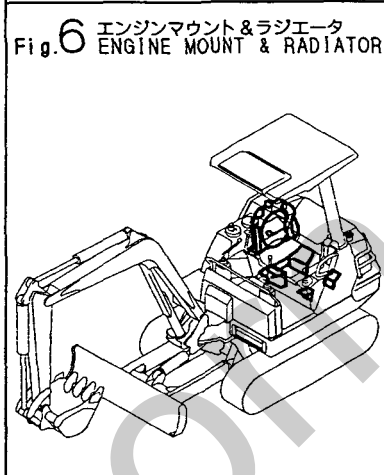
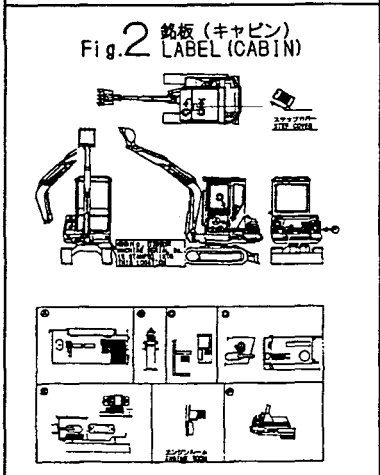
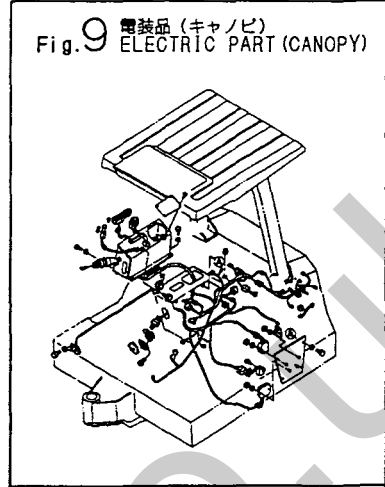
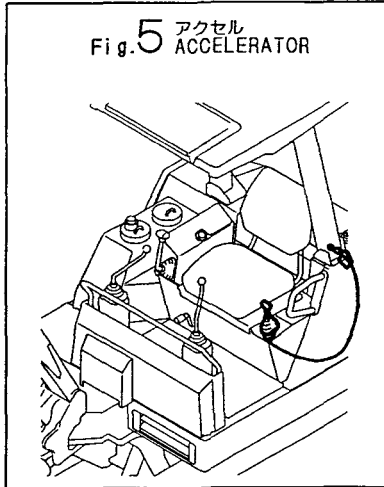
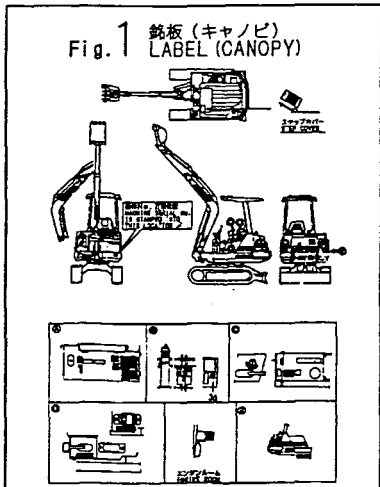
リンク台 . . . FIG. 16  
 LINK STAND  
 旋回フレーム . . . FIG. 22  
 TURNING FRAME  
 旋回駆動装置 . . . FIG. 23  
 TURNING DRIVING GEARS  
 旋回モータ . . . FIG. 36  
 TURNING MOTOR  
 スイベルジョイント . . . FIG. 38  
 SWIVEL JOINT  
 コントロールバルブ . . . FIG. 39~43  
 CONTROL VALVE



絵目次 (2) . . . . . 油圧関係  
PICTURESQUE INDEX (2) . . . HYDRAULIC SECTION



絵目次 (3) . . . . . 項目別  
 PICTURESQUE INDEX (3) . . . . . FIGURE



絵目次 (3) . . . . . 項目別  
 PICTURESQUE INDEX (3) . . . . . FIGURE

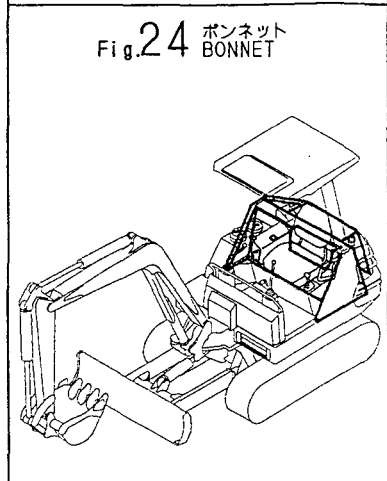
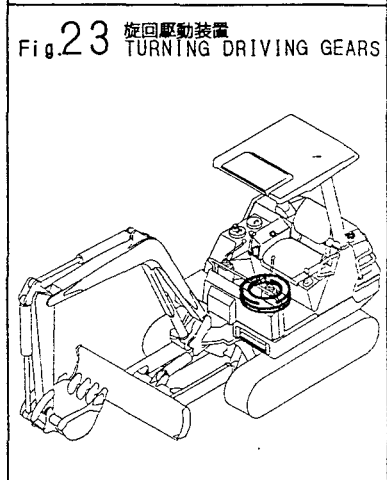
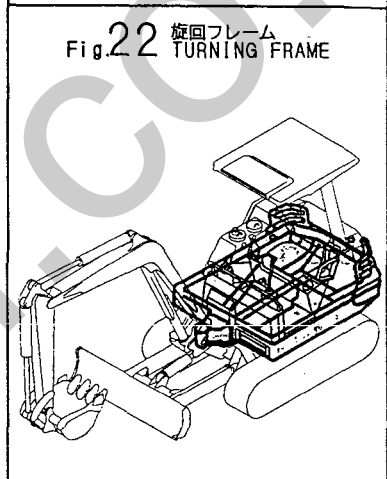
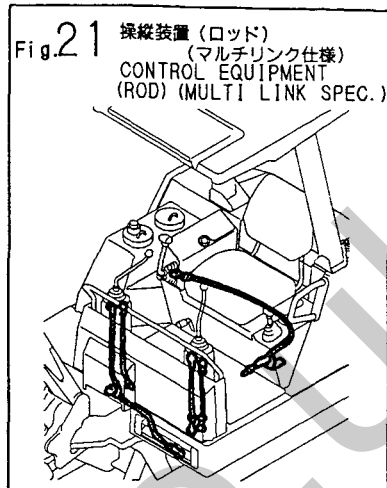
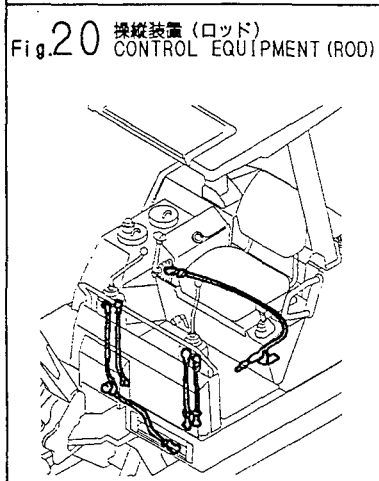
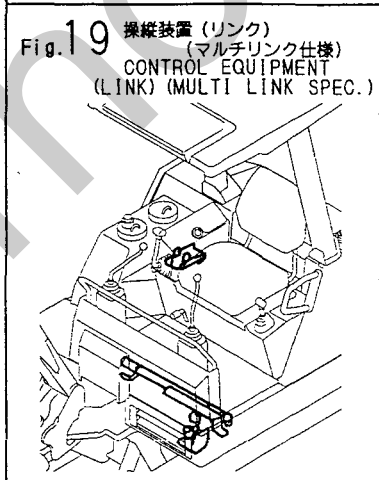
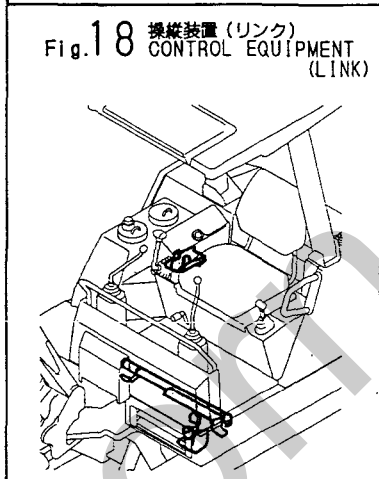
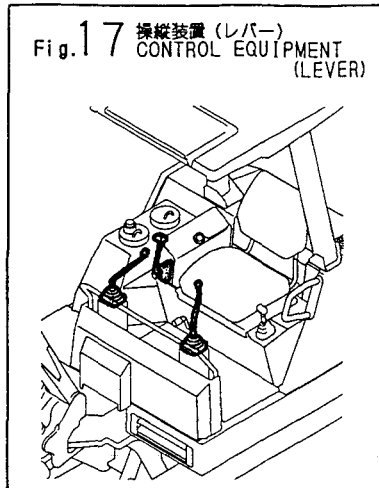
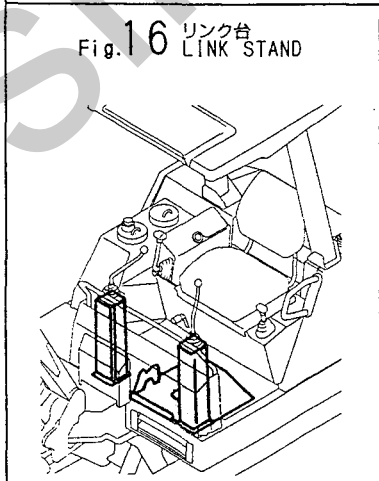
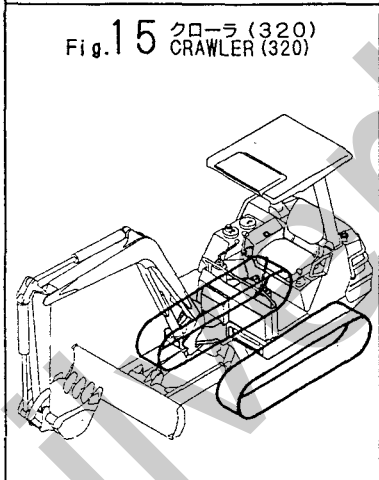
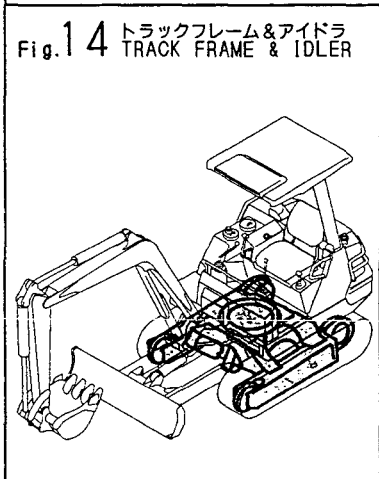
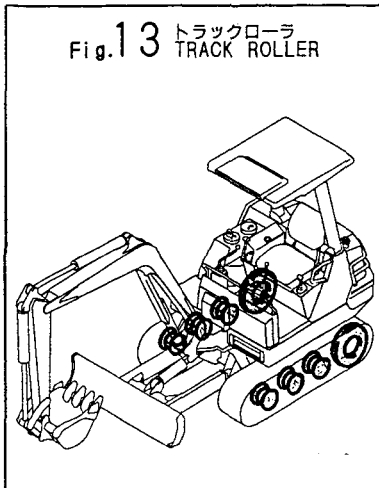




Fig.25 シート&ステップ  
 SEAT & STEP

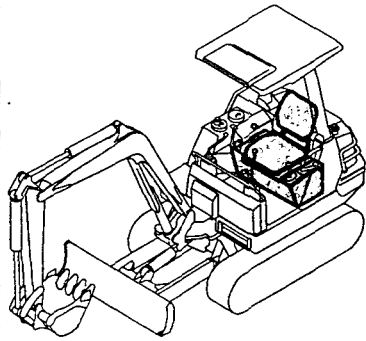


Fig.29 ブームシリンダ (キャノピ)  
 BOOM CYLINDER (CANOPY)

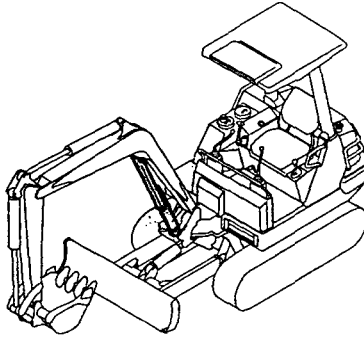


Fig.33 スイングシリンダ (キャノピ)  
 BOOM CYLINDER (CANOPY)

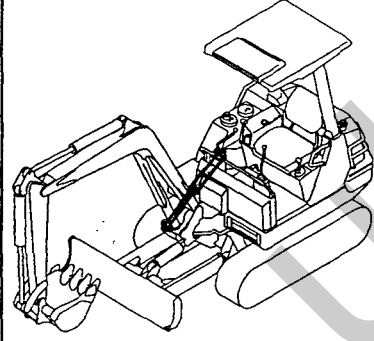


Fig.26 キャノピ  
 CANOPY

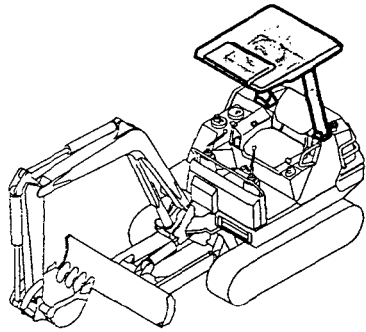


Fig.30 アームシリンダ  
 ARM CYLINDER

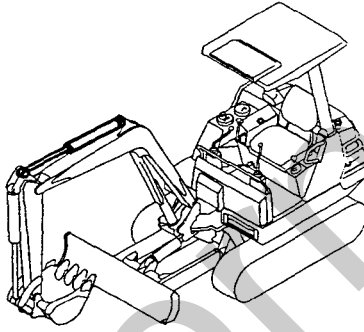


Fig.34 ブレードシリンダ  
 BLADE CYLINDER

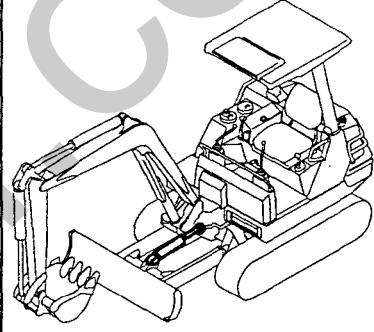


Fig.27 キャビン  
 CABIN

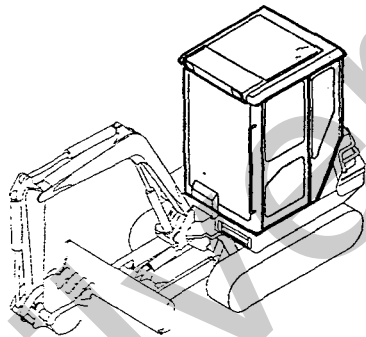


Fig.31 バケットシリンダ  
 BUCKET CYLINDER

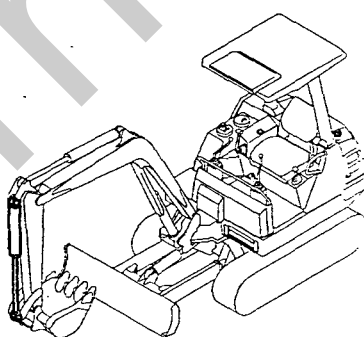


Fig.35 油圧ポンプ&軸継手  
 HYD.OIL PUMP & JOINT

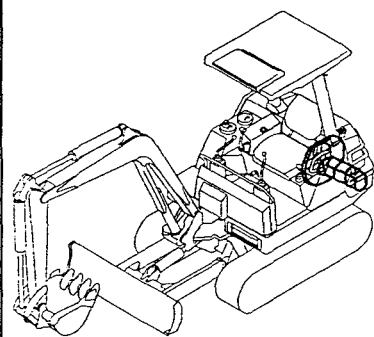


Fig.28 ブームシリンダ (キャビン)  
 BOOM CYLINDER (CABIN)

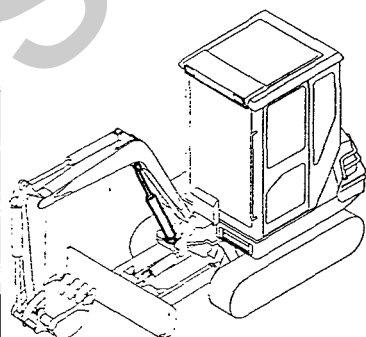


Fig.32 スイングシリンダ (キャビン)  
 SWING CYLINDER (CABIN)

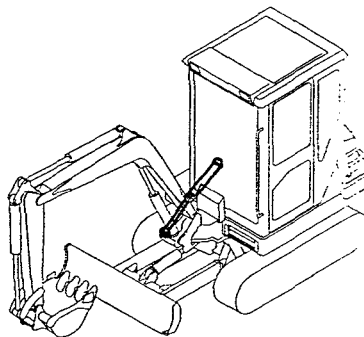


Fig.36 旋回モータ  
 TURNING MOTOR

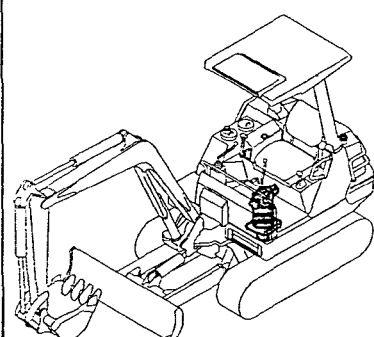


Fig.37 走行モータ  
 TRAVEL MOTOR

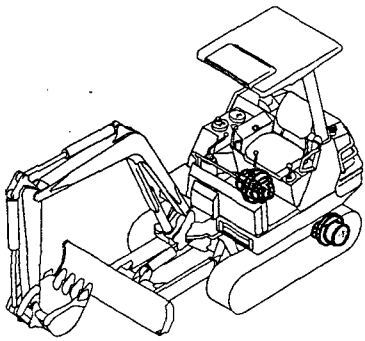


Fig.41 コントロールバルブ  
 (スイング&ブーム)  
 CONTROL VALVE  
 (SWING & BOOM)

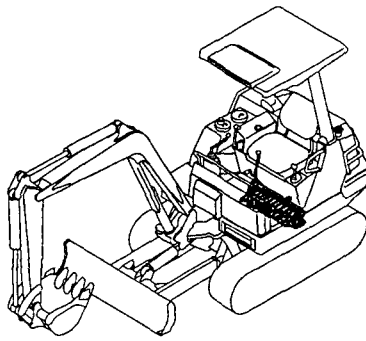


Fig.45 グリーシング  
 GREASING

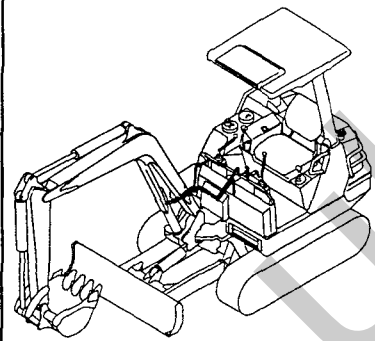


Fig.38 スイベルジョイント  
 SWIVEL JOINT

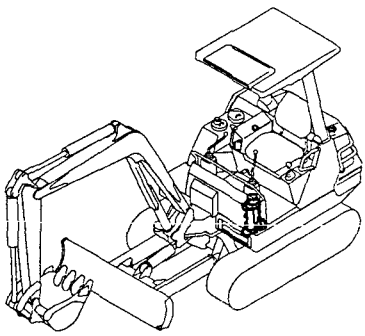


Fig.42 コントロールバルブ (ブレード)  
 CONTROL VALVE (BLADE)

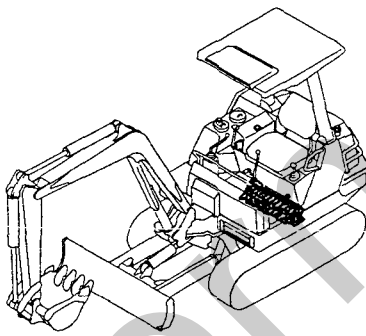


Fig.46 油圧配管  
 (バルブ~スイベル~モータ)  
 HYD. OIL PIPING  
 (VALVE~SWIVEL~MOTOR)

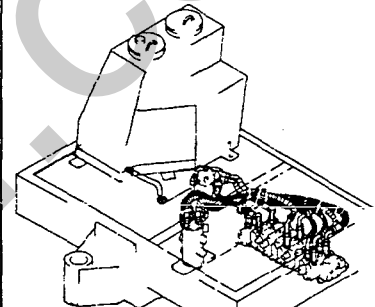


Fig.39 コントロールバルブ  
 (走行&旋回)  
 CONTROL VALVE  
 (TRAVEL & TURNING)

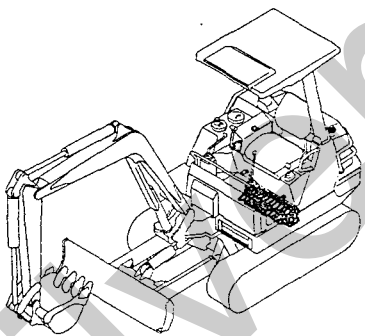


Fig.43 コントロールバルブ  
 (P1, P2, P3)  
 CONTROL VALVE  
 (P1, P2, P3)

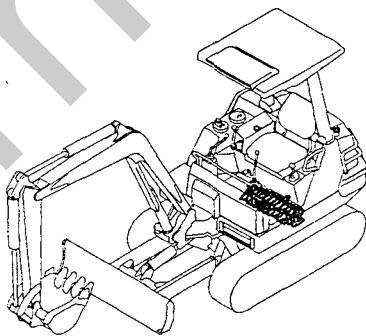


Fig.47 油圧配管 (タンク~バルブ)  
 HYD. OIL PIPING  
 (TANK~VALVE)

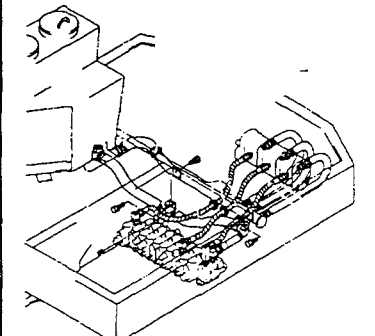


Fig.40 コントロールバルブ  
 (アーム&バケット)  
 CONTROL VALVE  
 (ARM & BUCKET)

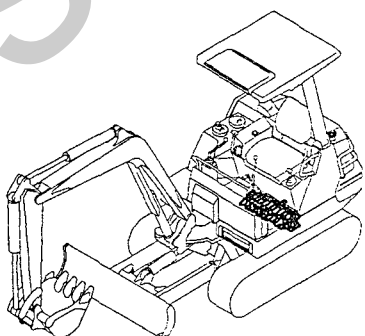


Fig.44 作動油タンク  
 HYD. OIL TANK

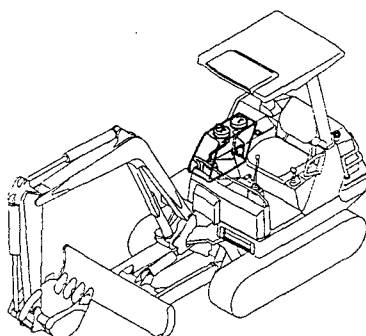
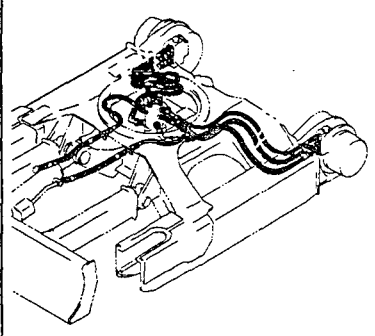


Fig.48 油圧配管 (走行)  
 HYD. OIL PIPING (TRAVEL)



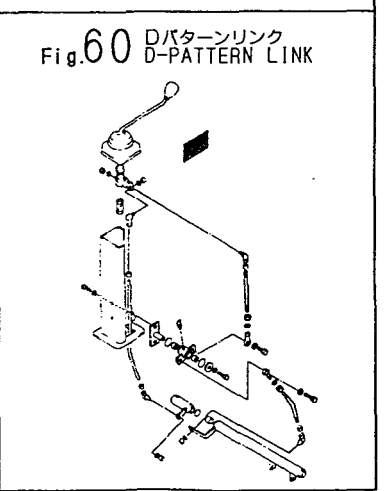
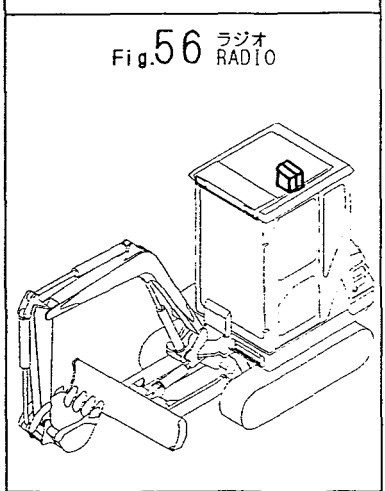
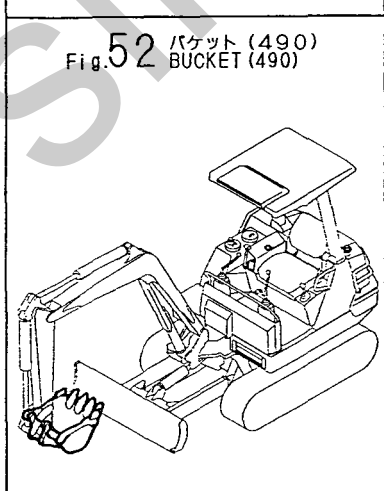
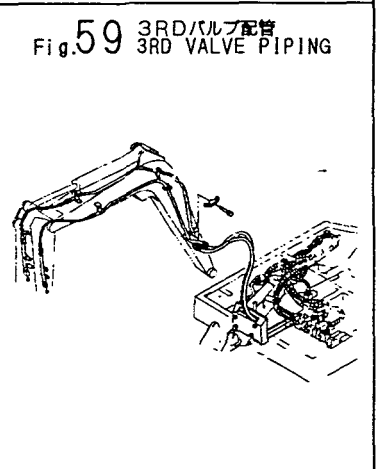
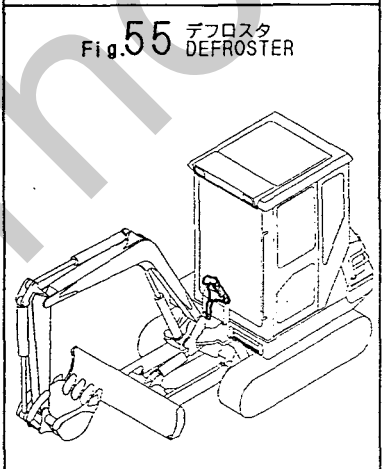
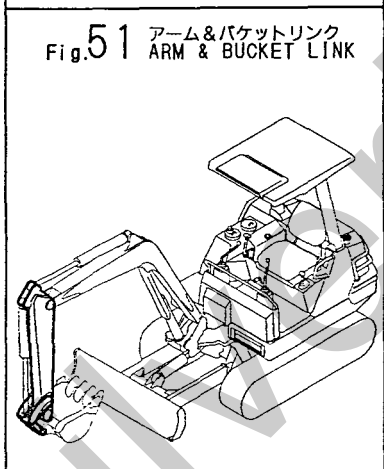
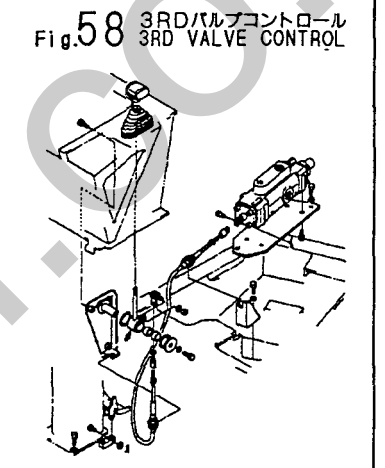
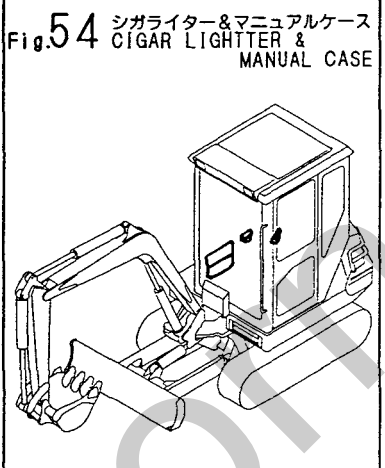
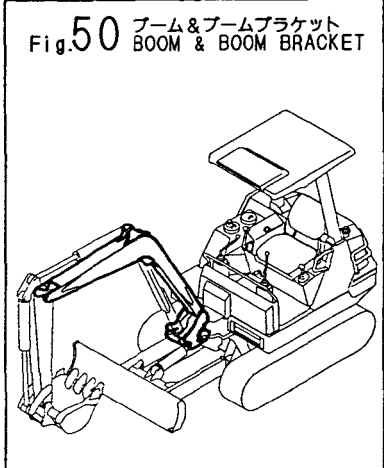
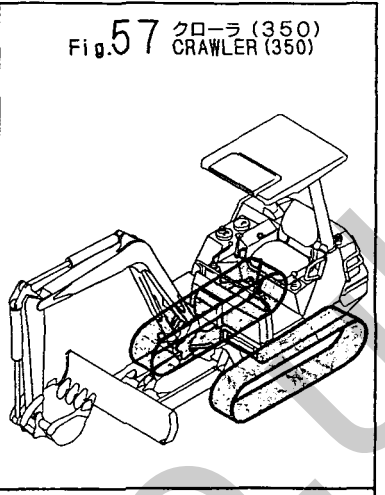
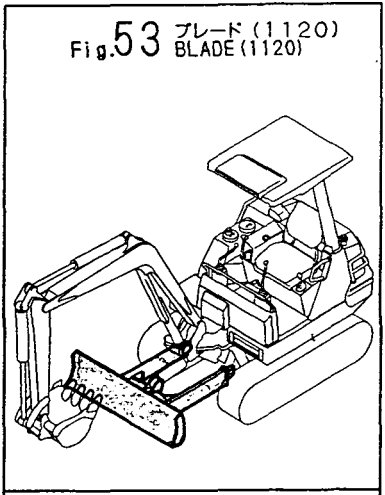
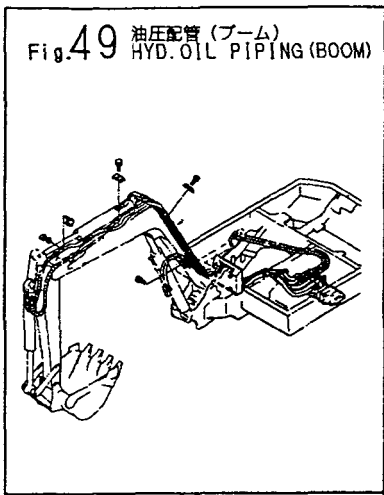


Fig.61 ブレード (850)  
BLADE (850)

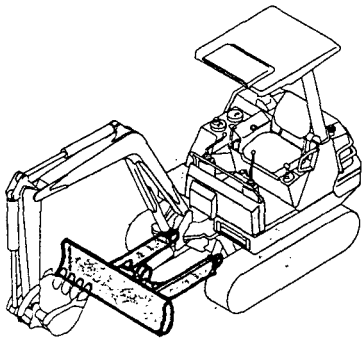


Fig.65 バケットSタイプ  
BUCKET S-TYPE

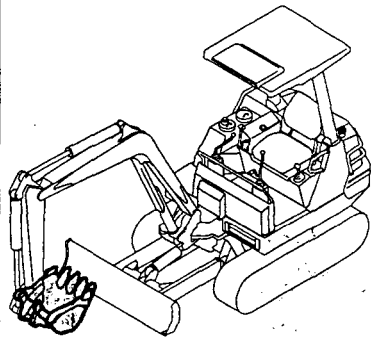


Fig.62 バケット (340)  
BUCKET (340)

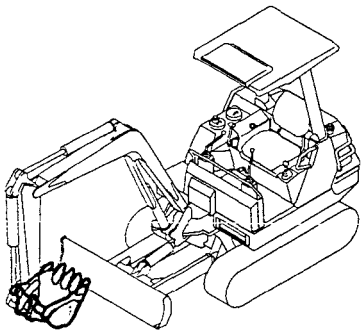


Fig.63 バケット (540)  
BUCKET (540)

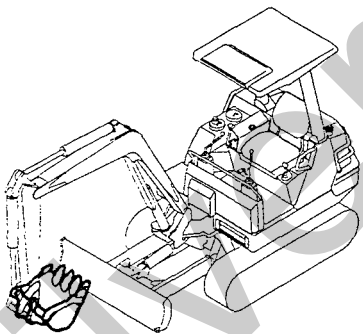
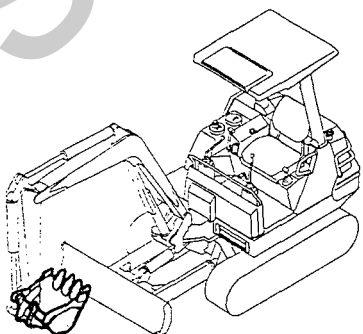
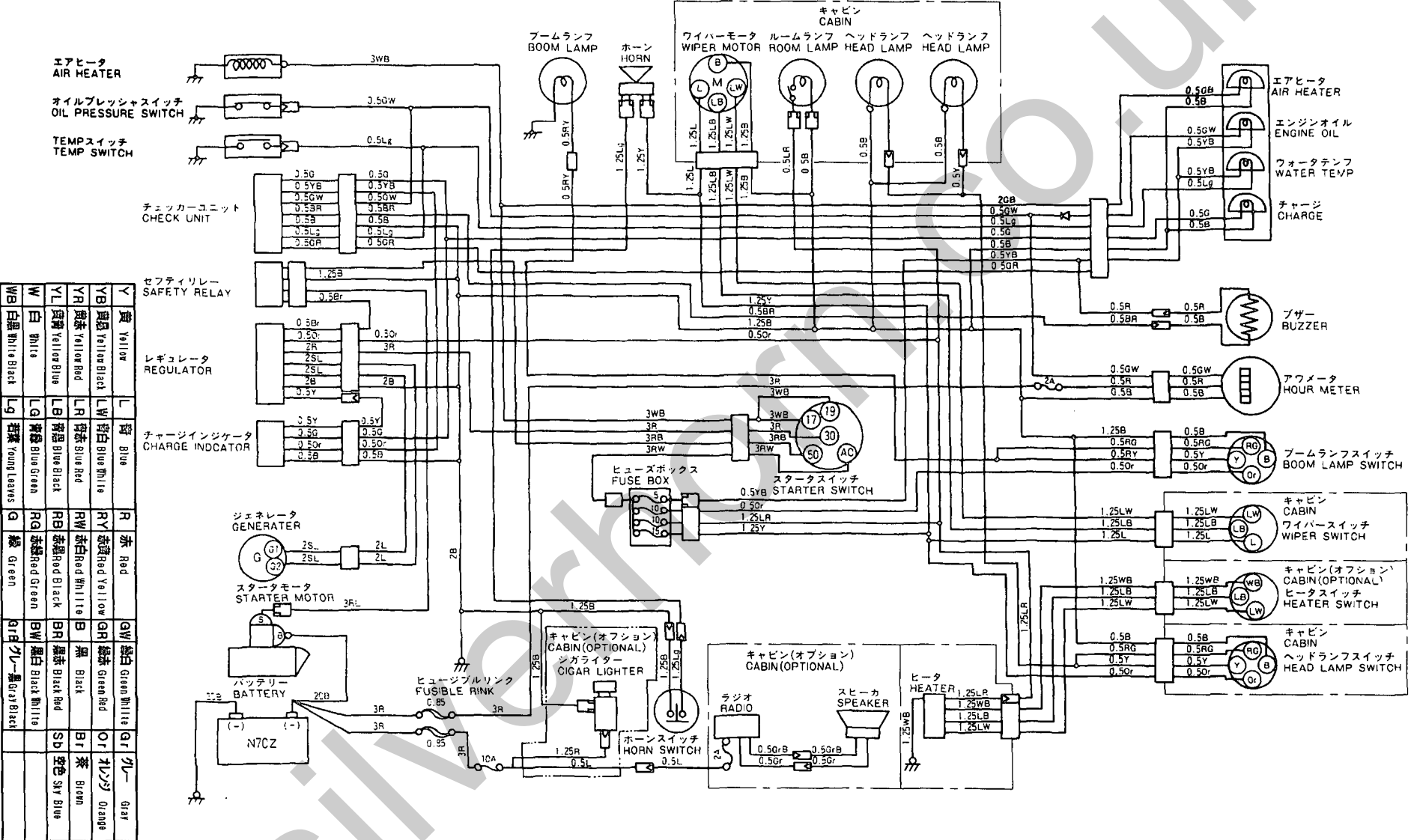


Fig.64 バケット (590)  
BUCKET (590)



SHIMADZU HORN.CO.UK

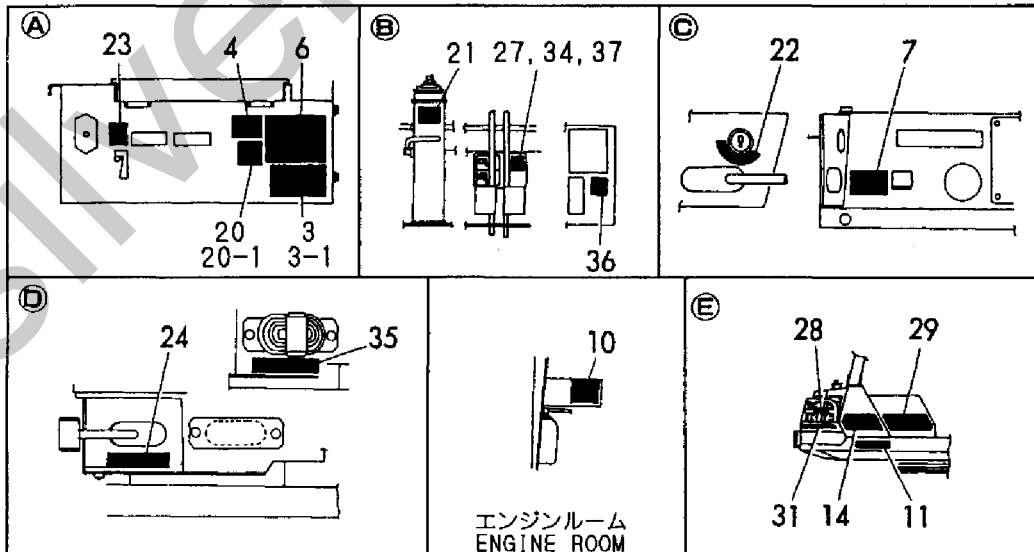
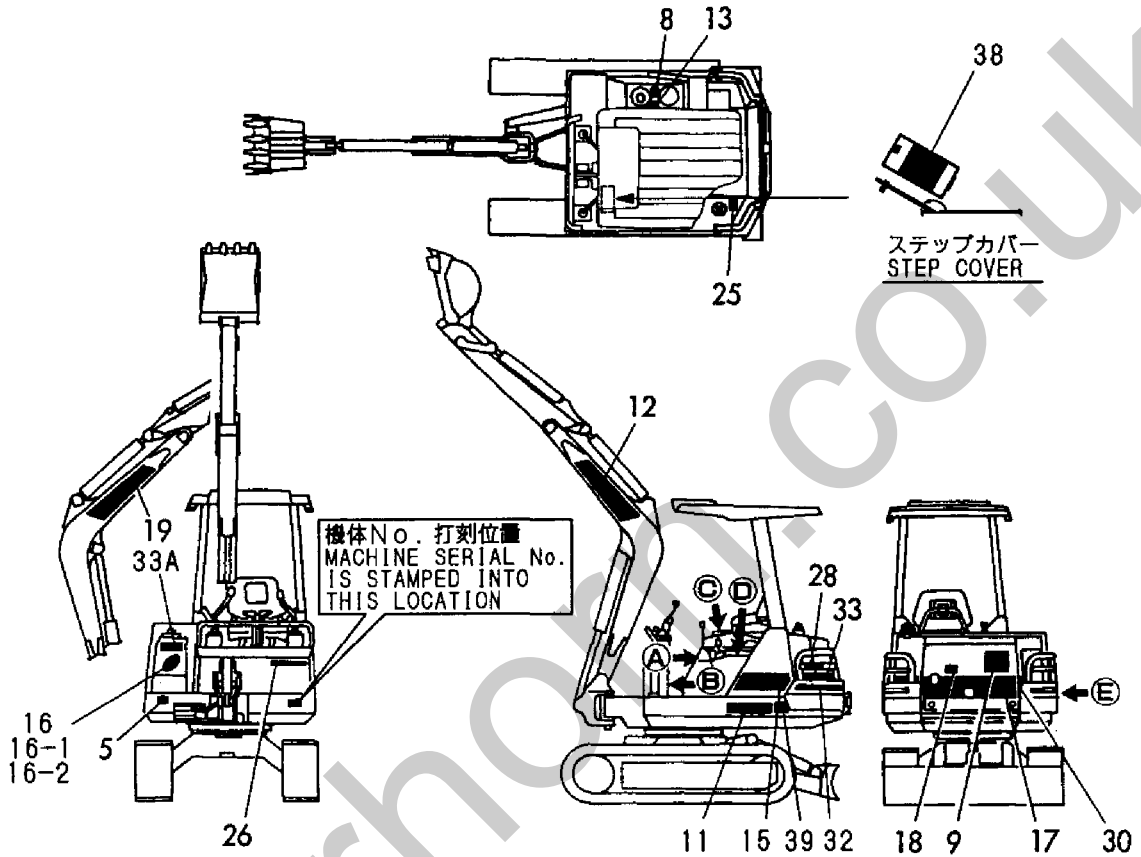
配線図  
WIRING DIAGRAM



2,1,,772160-03110,, "LABEL SET, CANOPY",,1,,,,,,,,,,,,,  
2-1,1,,772160-03111,, "LABEL SET, CANOPY",,1,,,,,N,,,,,M10501,,,,,  
3,2,,172160-03110,, "LABEL, SPACIFICATION",,1,,,,,,,,,,,,,  
3-1,2,,172160-03111,, "LABEL, SPECIFICATION",,1,,,,,S,,,,,M10501,,,,,  
4,2,,172141-03130,, "LABEL, GREASING",,1,,,,,,,,,,,,,  
5,2,,172122-03141,, "LABEL, GREASE",,1,,,,,,,,,,,,,  
6,2,,172160-03120,, "LABEL, OIL & WATER",,1,,,,,,,,,,,,,  
7,2,,172141-03170,, "LABEL, RESTART",,1,,,,,,,,,,,,,  
8,2,,172141-03181,, "LABEL, RESERVER(C)",,1,,,,,,,,,,,,,  
9,2,,172141-03190,, LABEL(D,,1,,,,,,,,,,,,,  
10,2,,172141-03220,, LABEL,,1,,,,,,,,,,,,,  
11,2,,172160-03150,, LABEL,,2,,,,,,,,,,,,,  
12,2,,172148-03220,, LABEL,,1,,,,,,,,,,,,,  
13,2,,172155-03310,, "LABEL, OILING",,1,,,,,,,,,,,,,  
14,2,,172141-03271,, LABEL,,1,,,,,,,,,,,,,  
15,2,,172141-03281,, LABEL,,1,,,,,,,,,,,,,  
16,2,,172137-03290,, "LABEL, NO.1 MARK",,1,,,,,,,,,,,,,  
16-1,2,,172141-03620,, LABEL,,1,,,,,N,,,,,M10501,,,,,  
16-2,2,,172149-03271,, LABEL,,1,,,,,R,,,,,M10501,,,,,  
17,2,,172141-03291,, "LABEL, STRIPE(REAR)",,1,,,,,,,,,,,,,  
18,2,,172519-03290,, "LABEL, ENG.COVER",,1,,,,,,,,,,,,,  
19,2,,172148-03230,, LABEL,,1,,,,,,,,,,,,,  
20,2,,172141-03341,, "LABEL,ADJUST CRAWLER",,1,,,,,,,,,,,,,  
20-1,2,,172165-03240,, LABEL,,1,,,,,N,,,,,M10915,,,,,  
21,2,,172141-03350,, "LABEL, QUICK(C)",,1,,,,,,,,,,,,,  
22,2,,172141-03360,, "LABEL, START SWITCH",,1,,,,,,,,,,,,,  
23,2,,172137-03300,, "LABEL, TURNING LOCK",,1,,,,,,,,,,,,,  
24,2,,172137-03780,, "LABEL, THROTTLE",,1,,,,,,,,,,,,,  
25,2,,933112-52400,, "LABEL, FUEL",,1,,,,,,,,,,,,,  
26,2,,172148-03140,, "LABEL, STRIPE(F)",,1,,,,,,,,,,,,,  
27,2,,172141-03150,, "LABEL, OPERATION",,1,,,,,,,,,,,,,  
28,2,,172141-03370,, "LABEL, PROTECTOR",,2,,,,,,,,,,,,,  
29,2,,172141-03540,, LABEL,,1,,,,,,,,,,,,,  
30,2,,172141-03560,, LABEL,,1,,,,,,,,,,,,,  
31,2,,172160-03170,, LABEL,,1,,,,,,,,,,,,,  
32,2,,172160-03160,, LABEL,,1,,,,,,,,,,,,,  
33,2,,172141-03530,, LABEL,,1,,,,,,,,,,,,,  
33A,2,,172142-03300,, LABEL,,1,,,,,W,,,,,M10501,,,,,  
34,1,,172141-03160,, "LABEL, OPERATION(C)",,1,,,,,1,,,,,1,,,,,  
35,1,,172141-03210,, "LABEL, SELECT",,1,,,,,1,,,,,1,,,,,  
36,1,,172141-03330,, "LABEL, P.T.O.",,1,,,,,1,,,,,1,,,,,  
37,1,,172148-03410,, LABEL,,1,,,,,1,,,,,1,,,,,  
38,1,,172141-03700,, "LABEL ASSY",,1,,,,,1,,,,,1,,,,,  
39,1,,172141-03710,, "LABEL, MULTI",,2,,,,,W,2,,,,,M10524,,,,,

Fig. 1 銘板 (キャノピ)  
LABEL (CANOPY)

見出しNo. 2は、見出しNo. 3から33Aを含みます。  
2 inc. 3 ~ 33A

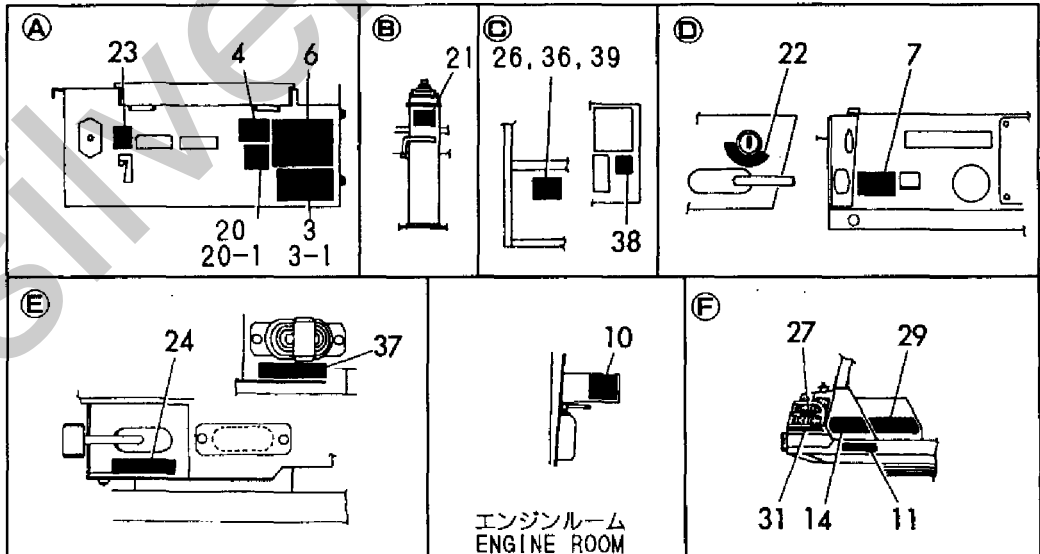
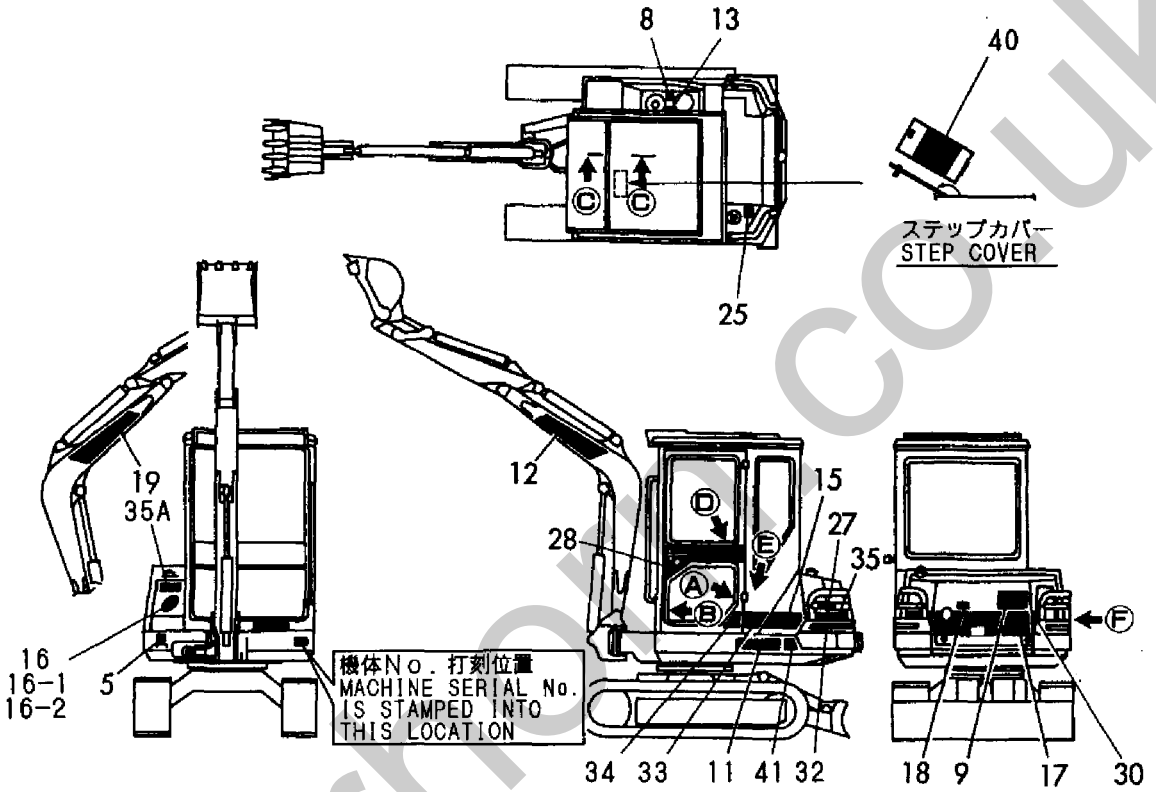


2,1,,772160-03100,, "LABEL SET, CABINE",1,,,,,,,,,,,,,  
2-1,1,,772160-03101,, "LABEL SET, (B25-1 C)",1,,,,,N,,M10501,,,,,  
3,2,,172160-03110,, "LABEL, SPACIFICATION",1,,,,,,,,,,,,,  
3-1,2,,172160-03111,, "LABEL, SPECIFICATION",1,,,,,S,,M10501,,,,,  
4,2,,172141-03130,, "LABEL, GREASING",1,,,,,,,,,,,,,  
5,2,,172122-03141,, "LABEL, GREASE",1,,,,,,,,,,,,,  
6,2,,172160-03120,, "LABEL, OIL & WATER",1,,,,,,,,,,,,,  
7,2,,172141-03170,, "LABEL, RESTART",1,,,,,,,,,,,,,  
8,2,,172141-03181,, "LABEL, RESERVER(C)",1,,,,,,,,,,,,,  
9,2,,172141-03190,, LABEL(D,1,,,,,,,,,,,,,  
10,2,,172141-03220,, LABEL,1,,,,,,,,,,,,,  
11,2,,172160-03150,, LABEL,2,,,,,,,,,,,,,  
12,2,,172148-03220,, LABEL,1,,,,,,,,,,,,,  
13,2,,172155-03310,, "LABEL, OILING",1,,,,,,,,,,,,,  
14,2,,172141-03271,, LABEL,1,,,,,,,,,,,,,  
15,2,,172141-03281,, LABEL,1,,,,,,,,,,,,,  
16,2,,172137-03290,, "LABEL, NO.1 MARK",1,,,,,,,,,,,,,  
16-1,2,,172141-03620,, LABEL,1,,,,,N,,M10501,,,,,  
16-2,2,,172149-03271,, LABEL,1,,,,,R,,M10501,,,,,  
17,2,,172141-03291,, "LABEL, STRIPE(REAR)",1,,,,,,,,,,,,,  
18,2,,172519-03290,, "LABEL, ENG.COVER",1,,,,,,,,,,,,,  
19,2,,172148-03230,, LABEL,1,,,,,,,,,,,,,  
20,2,,172141-03341,, "LABEL,ADJUST CRAWLER",1,,,,,,,,,,,,,  
20-1,2,,172165-03240,, LABEL,1,,,,,N,,M10501,,,,,  
21,2,,172141-03350,, "LABEL, QUICK(C)",1,,,,,,,,,,,,,  
22,2,,172141-03360,, "LABEL, START SWITCH",1,,,,,,,,,,,,,  
23,2,,172137-03300,, "LABEL, TURNING LOCK",1,,,,,,,,,,,,,  
24,2,,172137-03780,, "LABEL, THROTTLE",1,,,,,,,,,,,,,  
25,2,,933112-52400,, "LABEL, FUEL",1,,,,,,,,,,,,,  
26,2,,172141-03150,, "LABEL, OPERATION",1,,,,,,,,,,,,,  
27,2,,172141-03370,, "LABEL, PROTECTOR",2,,,,,,,,,,,,,  
28,2,,172141-03380,, LABEL,1,,,,,,,,,,,,,  
29,2,,172141-03540,, LABEL,1,,,,,,,,,,,,,  
30,2,,172141-03560,, LABEL,1,,,,,,,,,,,,,  
31,2,,172160-03170,, LABEL,1,,,,,,,,,,,,,  
32,2,,172160-03160,, LABEL,1,,,,,,,,,,,,,  
33,2,,172141-03590,, "LABEL, STRIPE(CA)",1,,,,,,,,,,,,,  
34,2,,172141-03600,, "LABEL, STRIPE(CB)",1,,,,,,,,,,,,,  
35,2,,172141-03530,, LABEL,1,,,,,,,,,,,,,  
35A,2,,172142-03300,, LABEL,1,,,,,W,,M10501,,,,,  
36,1,,172141-03160,, "LABEL, OPERATION(C)",1,,,,,1,,,,,  
37,1,,172141-03210,, "LABEL, SELECT",1,,,,,1,,,,,  
38,1,,172141-03330,, "LABEL, P.T.O.",1,,,,,1,,,,,  
39,1,,172148-03410,, LABEL,1,,,,,1,,,,,  
40,1,,172141-03700,, "LABEL ASSY",1,,,,,1,,,,,  
41,1,,172141-03710,, "LABEL, MULTI",1,,,,,W,2,,M10524,,,,,



Fig. 2 銘板 (キャビン)  
LABEL (CABIN)

見出しNo. 2は、見出しNo. 3から35Aを含みます。  
2 inc. 3 ~ 35A

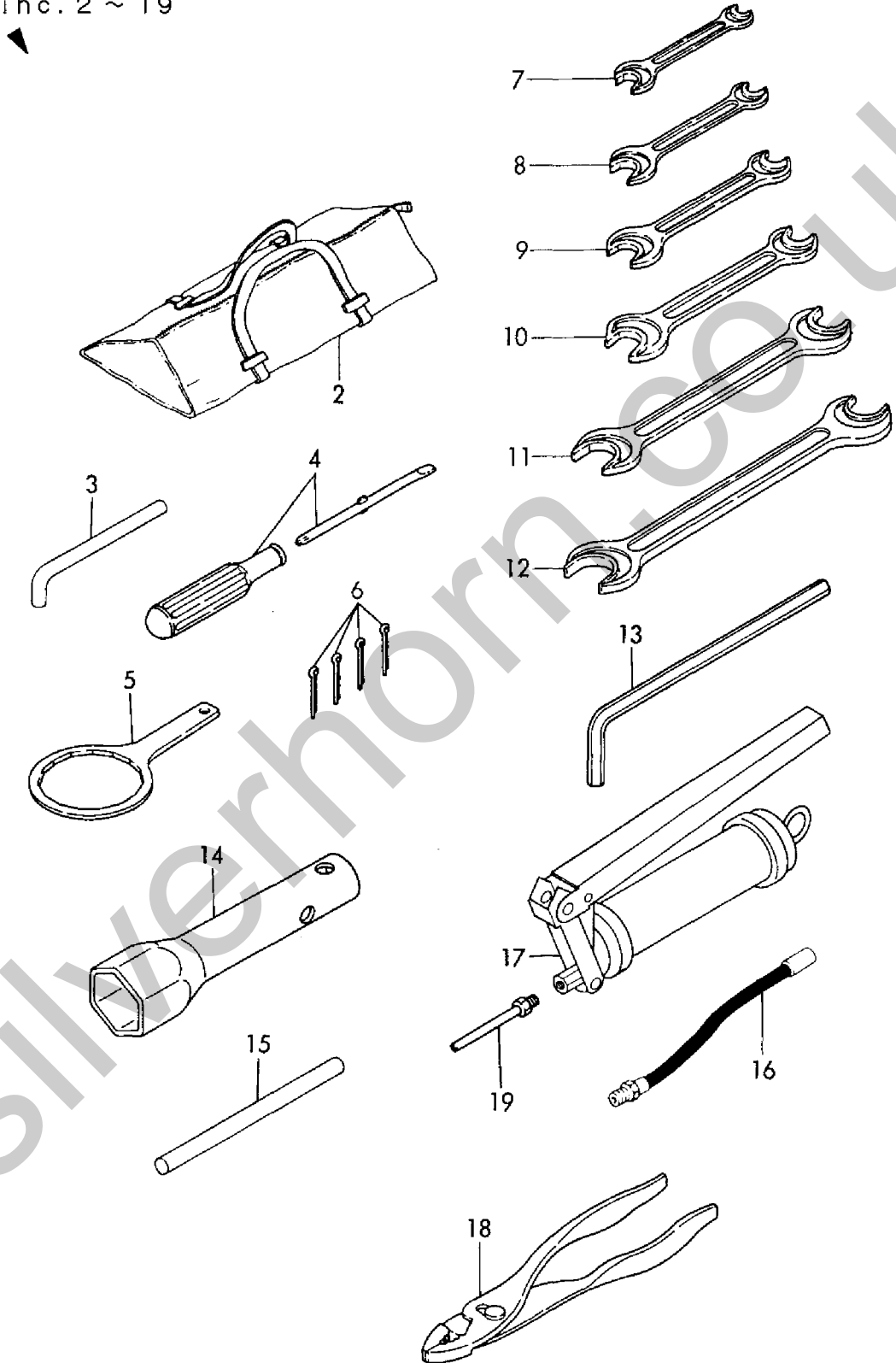


1,1,,772141-05100,, "TOOL SET",1,1,,,,,,,,,,,,,  
2,2,,933110-90000,, "BAG, TOOL",1,1,,,,,,,,,,,,,  
3,2,,172614-38300,, "PIN 5X45, LOCK",4,4,,,,,,,,,,,,,  
4,2,,104200-92350,, "DRIVER, SCREW",1,1,,,,,,,,,,,,,  
5,2,,171301-92750,, "WRENCH, L.O. FILTER",1,1,,,,,,,,,,,,,  
6,2,,22417-800500,, "COTTER PIN 8.0X50",4,4,,,,,,,,,,,,,  
7,2,,28110-080100,, "WRENCH 8X10",1,1,,,,,,,,,,,,,  
8,2,,28110-120140,, "WRENCH 12X14",1,1,,,,,,,,,,,,,  
9,2,,28110-170190,, "WRENCH 17X19",1,1,,,,,,,,,,,,,  
10,2,,28110-220240,, "WRENCH 22X24",1,1,,,,,,,,,,,,,  
11,2,,28110-270300,, "WRENCH 27X30",1,1,,,,,,,,,,,,,  
12,2,,28110-320360,, "WRENCH 32X36",1,1,,,,,,,,,,,,,  
13,2,,28150-080000,, "BAR WRENCH 8",1,1,,,,,,,,,,,,,  
14,2,,28227-271400,, "BOX WRENCH 27X140",1,1,,,,,,,,,,,,,  
15,2,,28230-120250,, "TURNING HANDLE",1,1,,,,,,,,,,,,,  
16,2,,933110-09700,, "HOSE, GREASE",1,1,,,,,,,,,,,,,  
17,2,,933110-09800,, "GUN 800, GREASE",1,1,,,,,,,,,,,,,  
18,2,,933171-00470,, "PLIERS 200",1,1,,,,,,,,,,,,,  
19,2,,172122-05100,, "NOZZLE",1,1,,,,,,,,,,,,,

Silverhorn.CO.UK

Fig. 3 工具  
TOOL

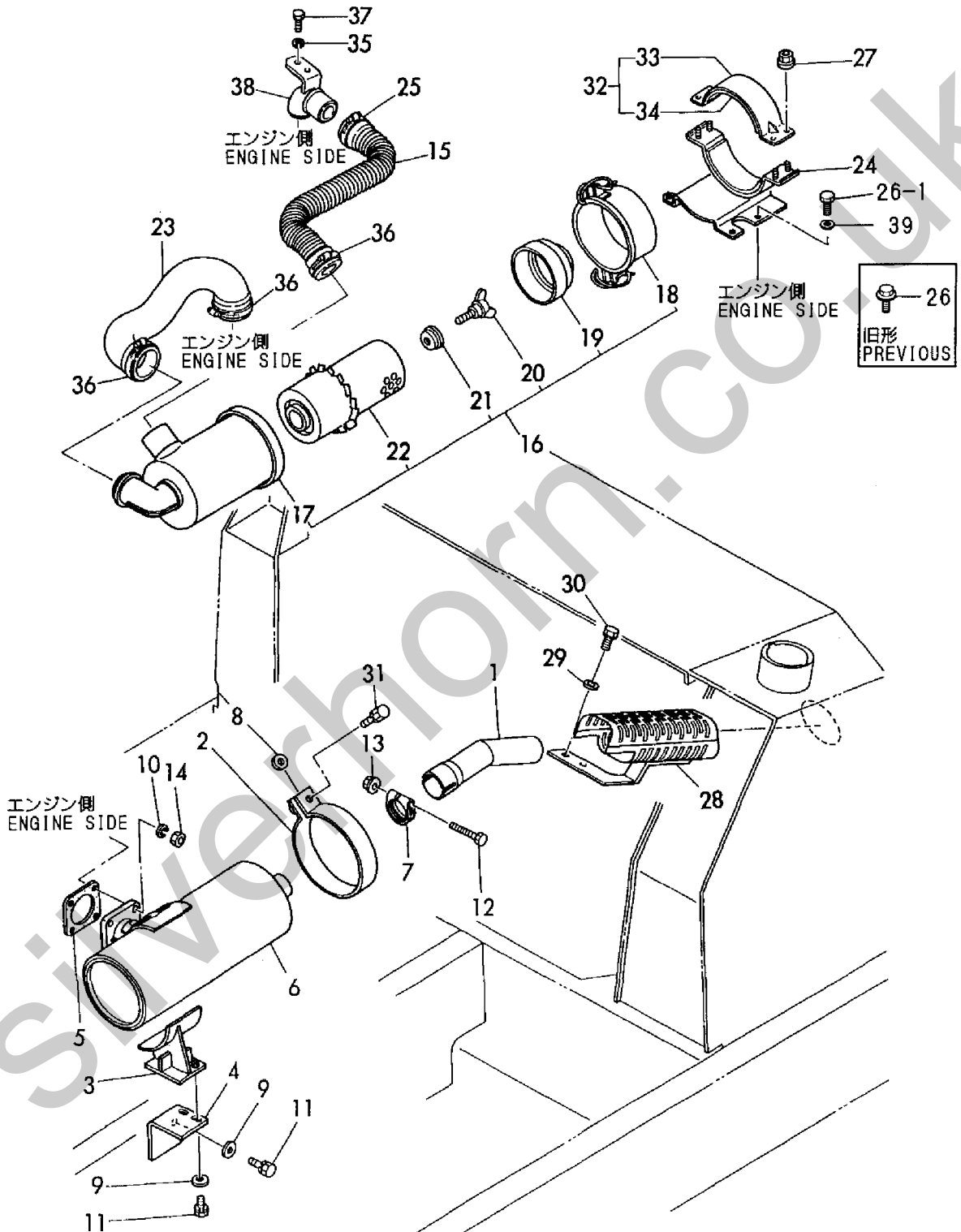
見出しNo. 1は、見出しNo. 2から19を含みます。  
1 inc. 2 ~ 19



1,1,,172141-11300,, "PIPE, EXHAUST",1,1,,,,,,,,,,,,,,,,,,,,,  
 2,1,,172519-11350,, "BAND, SILENCER",1,1,,,,,,,,,,,,,,,,,,,,,  
 3,1,,172141-11400,, "SUPPORT, SILENCER",1,1,,,,,,,,,,,,,,,,,,,,,  
 4,1,,172141-11470,, "STAY, SILENCER",1,1,,,,,,,,,,,,,,,,,,,,,  
 5,1,,124701-11910,, "GASKET, SILENCER",1,1,,,,,,,,,,,,,,,,,,,,,  
 5-1,1,,124701-11911,, "GASKET, (NON-ASB.)",1,1,,,,,N,,,,M00503,,M00503,,,,,,  
 6,1,,119831-13500,, SILENCER,1,1,,,,,,,,,,,,,,,,,,,,,  
 7,1,,124664-13580,, CLAMP,1,1,,,,,,,,,,,,,,,,,,,,,  
 7-1,1,,172168-11310,, CLAMP,1,1,,,,,N,,,,M10915,,M10915,,,,,,  
 8,1,,172112-42090,, "WASHER, STOPPER",1,1,,,,,,,,,,,,,,,,,,,,,  
 9,1,,22137-080000,, "WASHER 8, POLISHED",4,4,,,,,,,,,,,,,,,,,,,,,  
 10,1,,22217-080000,, "SPRING WASHER 8",4,4,,,,,,,,,,,,,,,,,,,,,  
 11,1,,26013-080252,, "BOLT M 8X 25",4,4,,,,,,,,,,,,,,,,,,,,,  
 12,1,,26106-080552,, "BOLT M 8X 55 PLATED",1,1,,,,,,,,,,,,,,,,,,,,,  
 13,1,,26366-080002,, "NUT M 8",1,1,,,,,,,,,,,,,,,,,,,,,  
 14,1,,26717-080002,, "NUT 8",4,4,,,,,,,,,,,,,,,,,,,,,  
 15,1,,172160-11500,, "HOSE, AIR CLEANER",1,1,,,,,,,,,,,,,,,,,,,,,  
 16,1,,119812-12500,, "CLEANER ASSY, AIR",1,1,,,,,,,,,,,,,,,,,,,,,  
 17,2,,119812-12520,, "BODY, AIR CLEANER",1,1,,,,,,,,,,,,,,,,,,,,,  
 18,2,,121120-12531,, "PAN ASSY, DUST",1,1,,,,,,,,,,,,,,,,,,,,,  
 19,2,,121120-12541,, "RETAINER, ELEMENT",1,1,,,,,,,,,,,,,,,,,,,,,  
 20,2,,121120-12561,, "BOLT, WING",1,1,,,,,,,,,,,,,,,,,,,,,  
 21,2,,121120-12571,, "SEAL WASHER",1,1,,,,,,,,,,,,,,,,,,,,,  
 22,2,,121120-12901,, ELEMENT,1,1,,,,,,,,,,,,,,,,,,,,,  
 23,1,,119812-12550,, "PIPE, SUCTION",1,1,,,,,,,,,,,,,,,,,,,,,  
 24,1,,119812-12560,, "SUPPORT,AIR CLEANER",1,1,,,,,,,,,,,,,,,,,,,,,  
 25,1,,23000-060000,, "CLAMP 60",1,1,,,,,,,,,,,,,,,,,,,,,  
 26,1,,26106-080142,, "BOLT M 8X 14 PLATED",3,3,,,,,,,,,,,,,,,,,,,,,  
 26-1,1,,26116-080202,, "BOLT M 8X 20 PLATED",4,4,,,,,N,,,,M00511,,M00511,,,,,,  
 27,1,,26366-060002,, "NUT M 6",4,4,,,,,,,,,,,,,,,,,,,,,  
 28,1,,172141-11310,, COVER,1,1,,,,,,,,,,,,,,,,,,,,,  
 29,1,,22137-100000,, "WASHER 10,POLISHED",2,2,,,,,,,,,,,,,,,,,,,,,  
 30,1,,26013-100202,, "BOLT W/WASHER M10X20",2,2,,,,,,,,,,,,,,,,,,,,,  
 31,1,,26013-100302,, "BOLT M10X 30",1,1,,,,,,,,,,,,,,,,,,,,,  
 32,1,,121400-12540,, "BRACE (B) ASSY",1,1,,,,,,,,,,,,,,,,,,,,,  
 33,2,,121400-12560,, "BRACE (B)",1,1,,,,,,,,,,,,,,,,,,,,,  
 34,2,,121400-12570,, "SEAT (B), RUBBER",1,1,,,,,,,,,,,,,,,,,,,,,  
 35,1,,22217-100000,, "SPRING WASHER 10",2,2,,,,,,,,,,,,,,,,,,,,,  
 36,1,,23000-070000,, "CLAMP 70",3,3,,,,,,,,,,,,,,,,,,,,,  
 37,1,,26116-100202,, "BOLT M10X 20 PLATED",2,2,,,,,,,,,,,,,,,,,,,,,  
 38,1,,172142-11700,, "PIPE, AIR INTAKE",1,1,,,,,,,,,,,,,,,,,,,,,  
 39,1,,22217-080000,, "SPRING WASHER 8",4,4,,,,,W,,,,M00511,,M00511,,,,,,



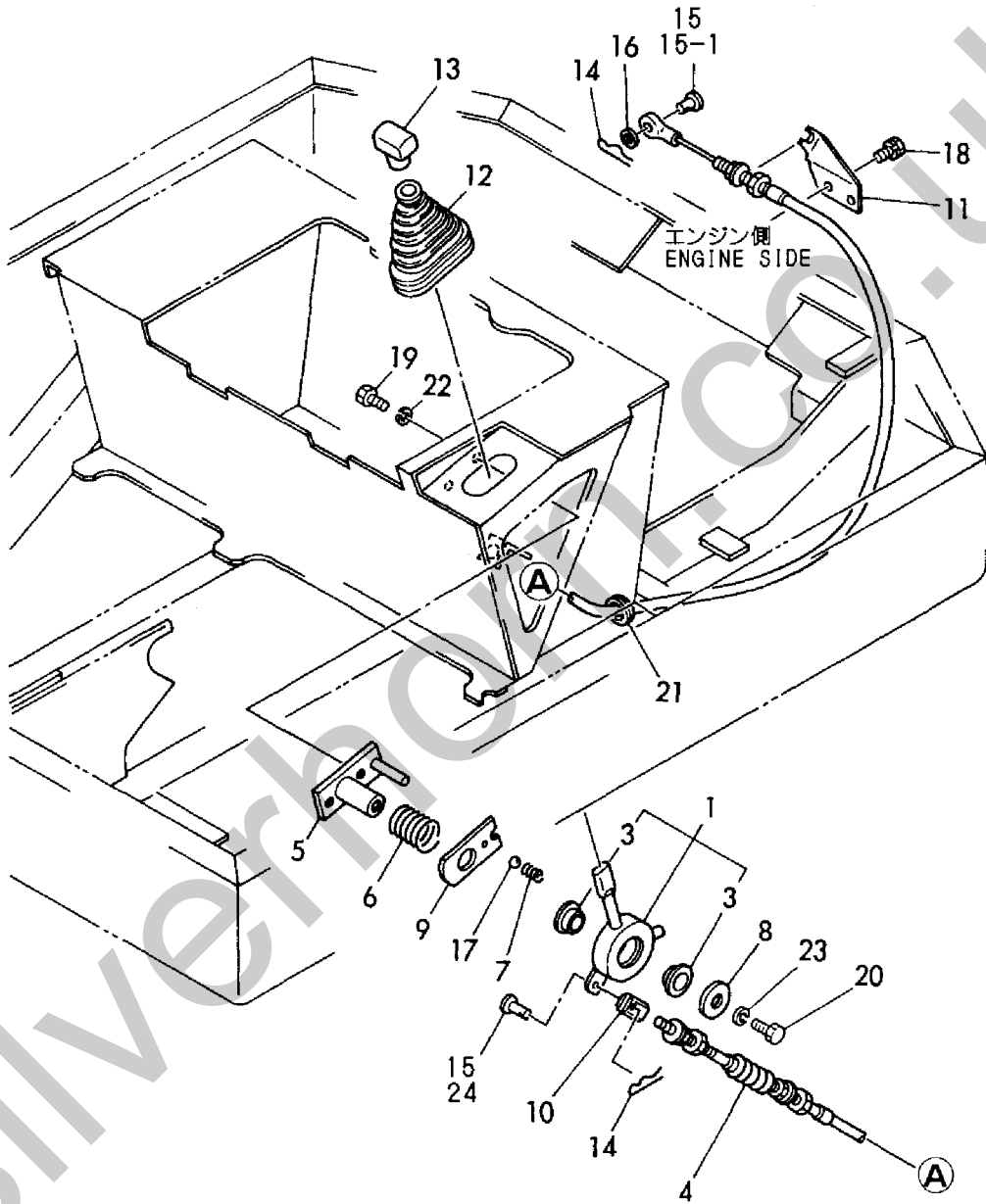
Fig. 4 エアークリーナ&サイレンサ  
AIR CLEANER & SILENCER



1,1,,172141-12100,, "LEVER W/BUSH, ACCEL",1,1,,,,,,,,,,,,,  
3,2,,172141-12220,, "BUSH 30X10",2,2,,,,,,,,,,,,,  
4,1,,172137-12110,, "CABLE, THROTTLE",1,1,,,,,,,,,,,,,  
5,1,,172141-12160,, BRACKET,1,1,,,,,,,,,,,,,  
6,1,,172141-12232,, SPRING,1,1,,,,,,,,,,,,,  
7,1,,172141-12240,, SPRING,1,1,,,,,,,,,,,,,  
8,1,,172141-12250,, PLATE,1,1,,,,,,,,,,,,,  
9,1,,172141-12260,, PLATE,1,1,,,,,,,,,,,,,  
10,1,,172137-12270,, "JOINT, CABLE",1,1,,,,,,,,,,,,,  
11,1,,172141-12280,, "CLAMP, ACCEL WIRE",1,1,,,,,,,,,,,,,  
12,1,,172141-41340,, BOOTS,1,1,,,,,,,,,,,,,  
13,1,,172122-46630,, "KNOB(D), LEVER",1,1,,,,,,,,,,,,,  
14,1,,1C6281-52310,, "PIN 6, COME-OFF SNAP",2,2,,,,,,,,,,,,,  
15,1,,1A1040-56900,, "PIN 6X 17",2,2,,,,,,,,,,,,,  
15-1,1,,1A1040-56900,, "PIN 6X 17",1,1,,,,,K,, M10915, M10915,,,,,  
16,1,,22137-060000,, "WASHER 6, POLISHED",1,1,,,,,,,,,,,,,  
17,1,,24190-160001,, "BALL 1/2",1,1,,,,,,,,,,,,,  
18,1,,26013-080162,, "BOLT W/WASHER M8X16",2,2,,,,,,,,,,,,,  
19,1,,26116-100202,, "BOLT M10X 20 PLATED",2,2,,,,,,,,,,,,,  
20,1,,26116-100302,, "BOLT M10X 30 PLATED",1,1,,,,,,,,,,,,,  
21,1,,933171-15680,, "GROMMET 40X13",1,1,,,,,,,,,,,,,  
22,1,,22217-100000,, "SPRING WASHER 10",2,2,,,,,,,,,,,,,  
23,1,,22217-100000,, "SPRING WASHER 10",1,1,,,,,,,,,,,,,  
24,1,,172113-12521,, "PIN, CABLE",1,1,,,,,W,, M10915, M10915,,,,,



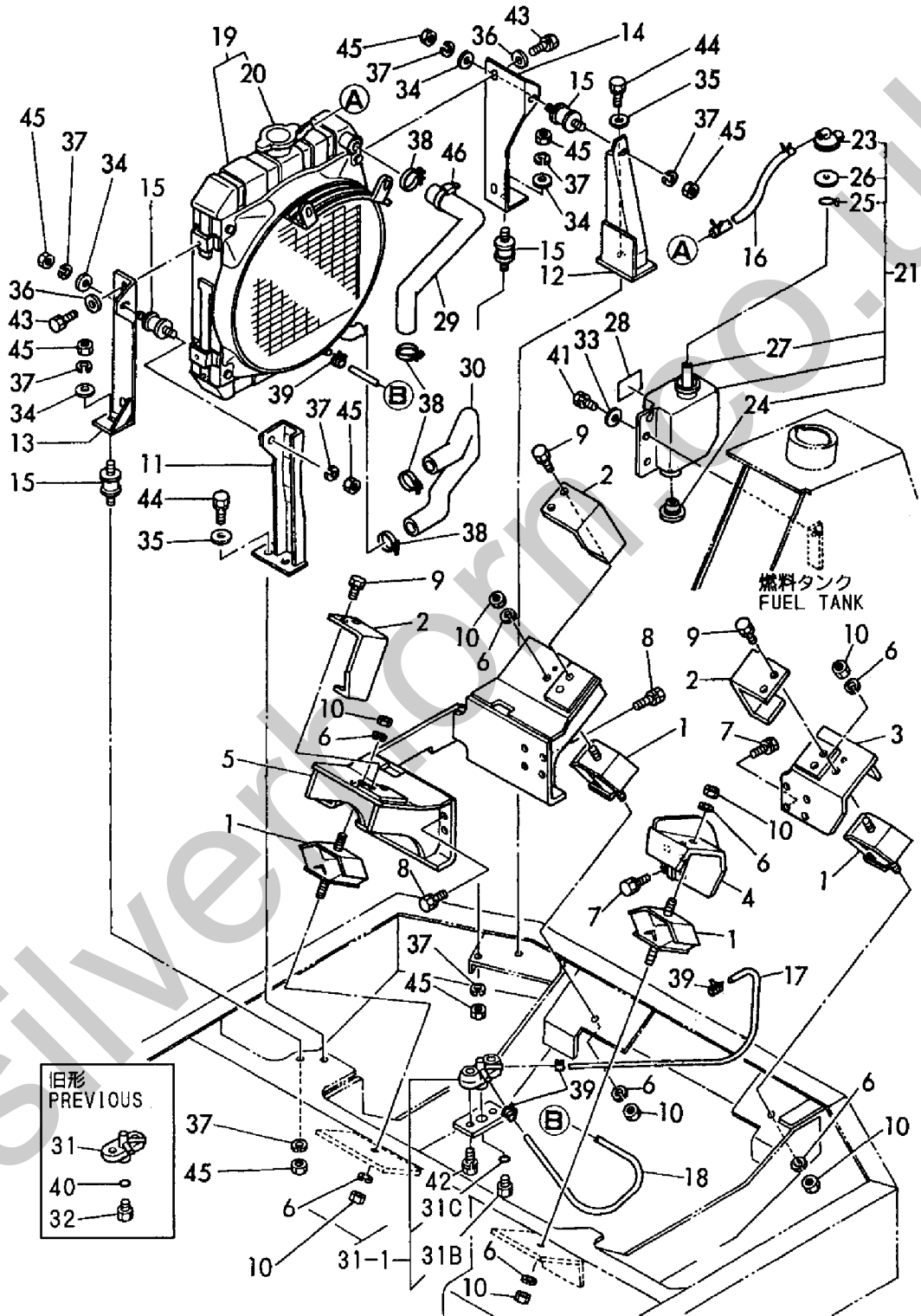
Fig. 5 アクセル  
ACCELERATOR



1,1,,196420-02310,, "ABSORBER, SHOCK",4,4,,,,,,,,,,,,,  
 2,1,,172141-13010,, "STOPER, ENGINE",3,3,,,,,,,,,,,,,  
 3,1,,172141-13030,, "BRACKET(L.R), ENGINE",1,1,,,,,,,,,,,,,  
 4,1,,172141-13271,, "BRACKET(L.F), ENGINE",1,1,,,,,,,,,,,,,  
 5,1,,172141-13100,, "BRACKET(R), ENGINE",1,1,,,,,,,,,,,,,  
 6,1,,22217-120000,, "WASHER 12,SPRING",8,8,,,,,,,,,,,,,  
 7,1,,26013-100252,, "BOLT W/WASHER M10X25",8,8,,,,,,,,,,,,,  
 8,1,,26013-120252,, "BOLT M12X 25",8,8,,,,,,,,,,,,,  
 9,1,,26013-120302,, "BOLT W/WASHER M12X30",6,6,,,,,,,,,,,,,  
 10,1,,26717-120002,, "NUT M12",8,8,,,,,,,,,,,,,  
 11,1,,172160-13300,, "MOUNT(F), RADIATOR",1,1,,,,,,,,,,,,,  
 12,1,,172141-13340,, "MOUNT(R), RADIATOR",1,1,,,,,,,,,,,,,  
 13,1,,172141-13410,, "BRACKET(F), RADIATOR",1,1,,,,,,,,,,,,,  
 14,1,,172141-13420,, "BRACKET(R), RADIATOR",1,1,,,,,,,,,,,,,  
 15,1,,172124-13500,, "MOUNT, RADIATOR",4,4,,,,,,,,,,,,,  
 16,1,,172141-13500,, "HOSE, SUB-TANK",1,1,,,,,,,,,,,,,  
 17,1,,172137-13430,, "PIPE (B), DRAIN",1,1,,,,,,,,,,,,,  
 18,1,,172124-14650,, "HOSE L=1100, FUEL",1,1,,,,,,,,,,,,,  
 19,1,,119812-44500,, "RADIATOR",1,1,,,,,,,,,,,,,  
 20,2,,124450-44590,, "CAP, RADIATOR",1,1,,,,,,,,,,,,,  
 21,1,,121468-44510,, "SUB-TANK ASSY",1,1,,,,,,,,,,,,,  
 23,2,,121450-44531,, "CAP",1,1,,,,,,,,,,,,,  
 24,2,,121468-44540,, "PLUG, SUB-TANK",1,1,,,,,,,,,,,,,  
 25,2,,124450-44560,, "CLAMP",1,1,,,,,,,,,,,,,  
 26,2,,121470-44581,, "GASKET",1,1,,,,,,,,,,,,,  
 27,2,,23065-070130,, "PIPE 7X 130",1,1,,,,,,,,,,,,,  
 28,1,,121470-44540,, "LABEL, SUB-TANK",1,1,,,,,,,,,,,,,  
 29,1,,119280-49010,, "PIPE A",1,1,,,,,,,,,,,,,  
 30,1,,171301-49020,, "PIPE (B), C. WATER",1,1,,,,,,,,,,,,,  
 31,1,,172124-13440,, "COCK",1,1,,,,,,,,,,,,,  
 31-1,1,,121450-49110,, "COCK ASSY, 3-WAY",1,1,,,,,R,, M10868,, M10868,,,,,  
 31B,2,,121250-49121,, "PLUG",1,1,,,,,W,, M10868,, M10868,,,,,  
 31C,2,,24311-000160,, "O-RING 1A P-16.0",1,1,,,,,W,, M10868,, M10868,,,,,  
 32,1,,172124-13450,, "PLUG",1,1,,,,,Z,, M10868,, M10868,,,,,  
 33,1,,22137-060000,, "WASHER 6, POLISHED",2,2,,,,,,,,,,,,,  
 34,1,,22137-080000,, "WASHER 8, POLISHED",4,4,,,,,,,,,,,,,  
 35,1,,22137-080000,, "WASHER 8, POLISHED",4,4,,,,,,,,,,,,,  
 36,1,,22137-080000,, "WASHER 8, POLISHED",4,4,,,,,,,,,,,,,  
 37,1,,22217-080000,, "SPRING WASHER 8",8,8,,,,,,,,,,,,,  
 38,1,,23010-038000,, "CLAMP 38",4,4,,,,,,,,,,,,,  
 39,1,,23080-012000,, "CLAMP 12",4,4,,,,,,,,,,,,,  
 40,1,,24311-000160,, "O-RING 1A P-16.0",1,1,,,,,Z,, M10868,, M10868,,,,,  
 41,1,,26013-060162,, "BOLT M 6X 16",2,2,,,,,,,,,,,,,  
 42,1,,26013-080162,, "BOLT W/WASHER M8X16",2,2,,,,,,,,,,,,,  
 43,1,,26013-080202,, "BOLT W/WASHER M8X20",4,4,,,,,,,,,,,,,  
 44,1,,26013-080252,, "BOLT M 8X 25",4,4,,,,,,,,,,,,,  
 45,1,,26716-080002,, "NUT M 8",8,8,,,,,,,,,,,,,  
 46,1,,933152-09280,, "BAND 170",2,2,,,,,,,,,,,,,



Fig. 6 エンジンマウント&ラジエータ  
ENGINE MOUNT & RADIATOR

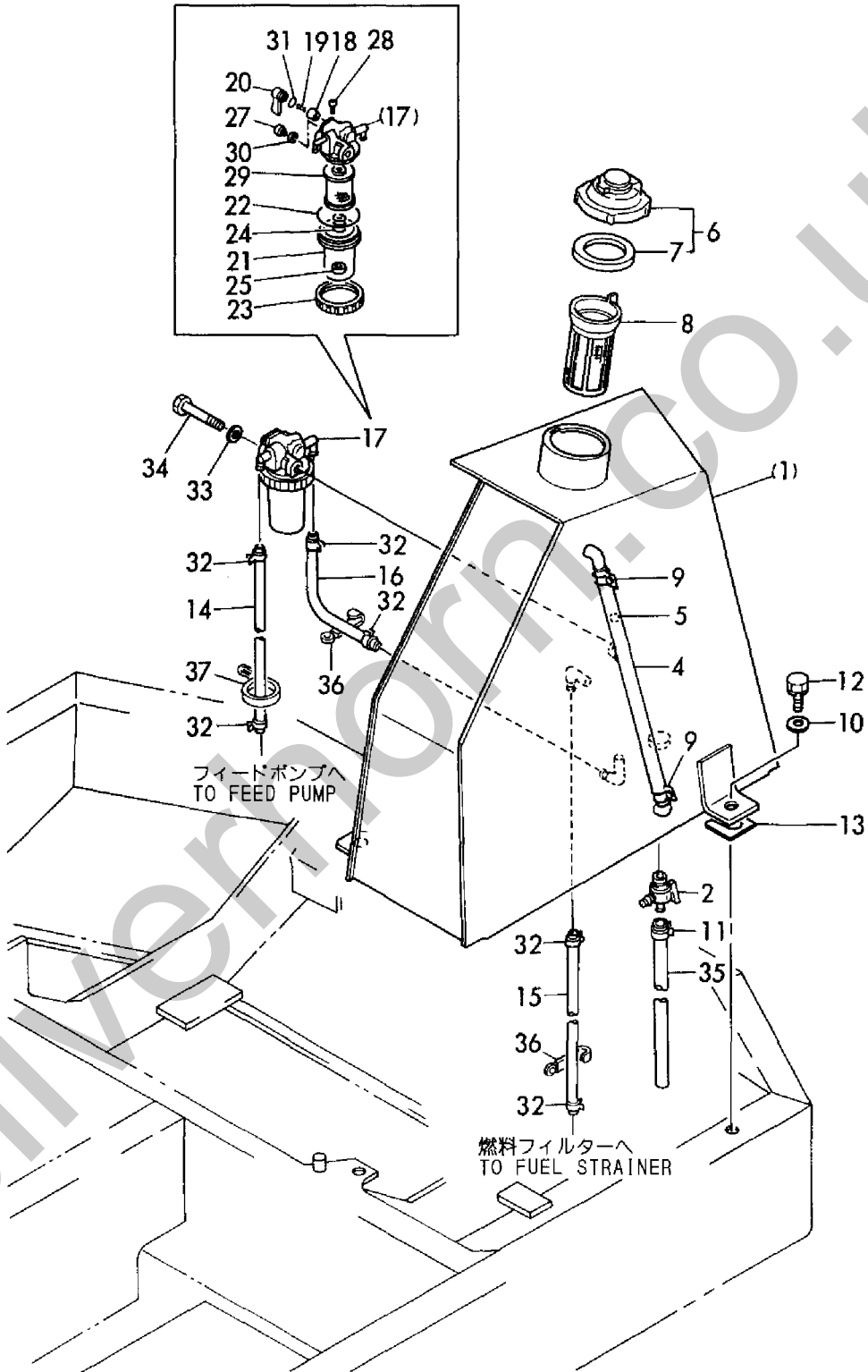


1,1,,772141-14100,, "TANK ASSY, FUEL",1,1,,,,,,,,,,,,,,,,,,,,,  
2,2,,104200-11920,, COCK,1,1,,,,,,,,,,,,,,,,,,,,,  
4,2,,172141-14250,, "GAUGE, FUEL",1,1,,,,,,,,,,,,,,,,,,,,,  
5,2,,172141-14260,, FLOAT,1,1,,,,,,,,,,,,,,,,,,,,,  
6,2,,172122-14300,, "CAP, FUEL TANK",1,1,,,,,,,,,,,,,,,,,,,,,  
7,3,,105430-55070,, GASKET,1,1,,,,,,,,,,,,,,,,,,,,,  
8,2,,101504-55101,, "STRAINER, FUEL INLET",1,1,,,,,,,,,,,,,,,,,,,,,  
9,2,,23010-014000,, "CLAMP 14",2,2,,,,,,,,,,,,,,,,,,,,,  
10,1,,22137-120000,, "WASHER 12, POLISHED",3,3,,,,,,,,,,,,,,,,,,,,,  
11,1,,23080-013000,, "CLAMP 13, HOSE",1,1,,,,,,,,,,,,,,,,,,,,,  
12,1,,26013-120352,, "BOLT M12X 35",3,3,,,,,,,,,,,,,,,,,,,,,  
13,1,,933169-22940,, "SPACER, RESERVOIR",1,1,,,,,,,,,,,,,,,,,,,,,  
14,1,,172137-13430,, "PIPE (B), DRAIN",1,1,,,,,,,,,,,,,,,,,,,,,  
15,1,,172116-14620,, "PIPE, FUEL",1,1,,,,,,,,,,,,,,,,,,,,,  
16,1,,172141-14620,, "HOSE, FUEL",1,1,,,,,,,,,,,,,,,,,,,,,  
17,1,,129335-55700,, "SEPARATOR, WATER",1,1,,,,,,,,,,,,,,,,,,,,,  
18,2,,104200-55321,, "VALVE, TAPER",1,1,,,,,,,,,,,,,,,,,,,,,  
19,2,,104200-55330,, "SPRING, TAPER VALVE",1,1,,,,,,,,,,,,,,,,,,,,,  
20,2,,104200-55341,, "HANDLE, COCK",1,1,,,,,,,,,,,,,,,,,,,,,  
21,2,,124064-55510,, "BOWL, FUEL STRAINER",1,1,,,,,,,,,,,,,,,,,,,,,  
22,2,,102103-55520,, O-RING,1,1,,,,,,,,,,,,,,,,,,,,,  
23,2,,110250-55610,, "RING, RETAINING",1,1,,,,,,,,,,,,,,,,,,,,,  
24,2,,121257-55720,, "SPRING, SCREEN",1,1,,,,,,,,,,,,,,,,,,,,,  
25,2,,121257-55731,, FLOAT,1,1,,,,,,,,,,,,,,,,,,,,,  
27,2,,101720-55750,, "PLUG 6",2,2,,,,,,,,,,,,,,,,,,,,,  
28,2,,104200-55750,, "SCREW M 4",1,1,,,,,,,,,,,,,,,,,,,,,  
29,2,,171081-55910,, SCREEN,1,1,,,,,,,,,,,,,,,,,,,,,  
30,2,,23418-060000,, "GASKET 6, NYLON",2,2,,,,,,,,,,,,,,,,,,,,,  
31,2,,24311-240100,, "O-RING 1A P-10A",1,1,,,,,,,,,,,,,,,,,,,,,  
32,1,,124766-59050,, "CLAMP 12",6,6,,,,,,,,,,,,,,,,,,,,,  
33,1,,22137-080000,, "WASHER 8, POLISHED",1,1,,,,,,,,,,,,,,,,,,,,,  
34,1,,26116-080652,, "BOLT M 8X 65 PLATED",1,1,,,,,,,,,,,,,,,,,,,,,  
35,1,,23061-100230,, "PIPE 10X 230",1,1,,,,,,,,,,,,,,,,,,,,,  
36,1,,172126-16540,, "CLAMP 10X70",2,2,,,,,,,,,,,,,,,,,,,,,  
37,1,,933152-09280,, "BAND 170",1,1,,,,,,,,,,,,,,,,,,,,,



# Fig. 7 燃料タンク&燃料パイプ FUEL TANK & FUEL PIPE

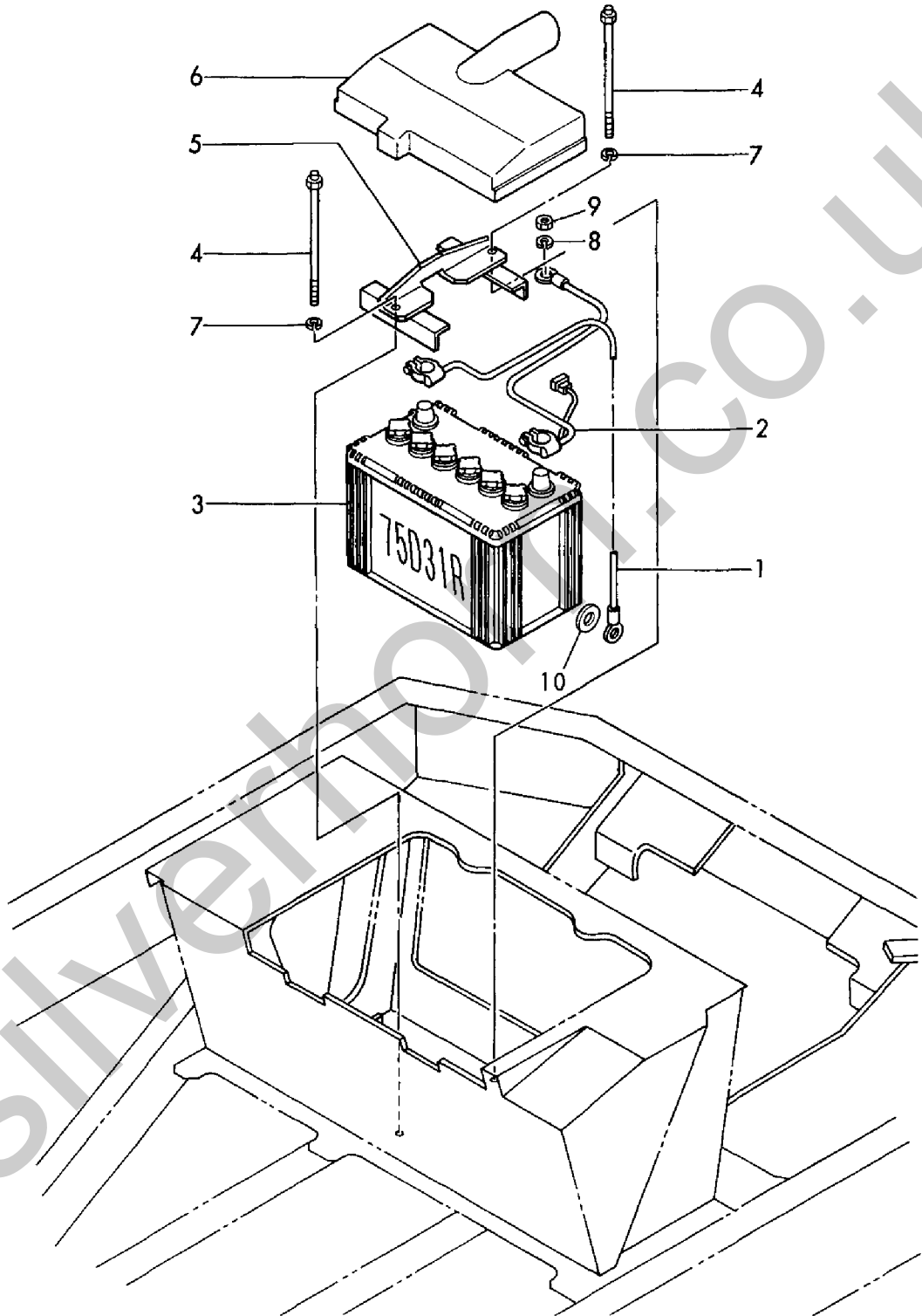
見出しNo. 1は、見出しNo. 2から9を含みます。  
1 inc. 2 ~ 9



1,1,,172141-16140,, "HARNESS, BATTERY(-)",1,1,,,,,,,,,,,,,  
2,1,,172141-16160,, "HARNESS, BATTERY(+)",1,1,,,,,,,,,,,,,  
3,1,,933113-01500,, "BATTERY (N70Z)",1,1,,,,,,,,,,,,,  
4,1,,172310-16080,, "BOLT, BATTERY",2,2,,,,,,,,,,,,,  
5,1,,172141-16110,, "CLAMP, BATTERY",1,1,,,,,,,,,,,,,  
6,1,,172141-16130,, "COVER, BATTERY",1,1,,,,,,,,,,,,,  
7,1,,22217-080000,, "SPRING WASHER 8",2,2,,,,,,,,,,,,,  
8,1,,22217-080000,, "SPRING WASHER 8",1,1,,,,,,,,,,,,,  
9,1,,26716-080002,, "NUT M 8",1,1,,,,,,,,,,,,,  
10,1,,22137-100000,, "WASHER 10,POLISHED",1,1,,,,,W,,M10501,,M10501,,,,,

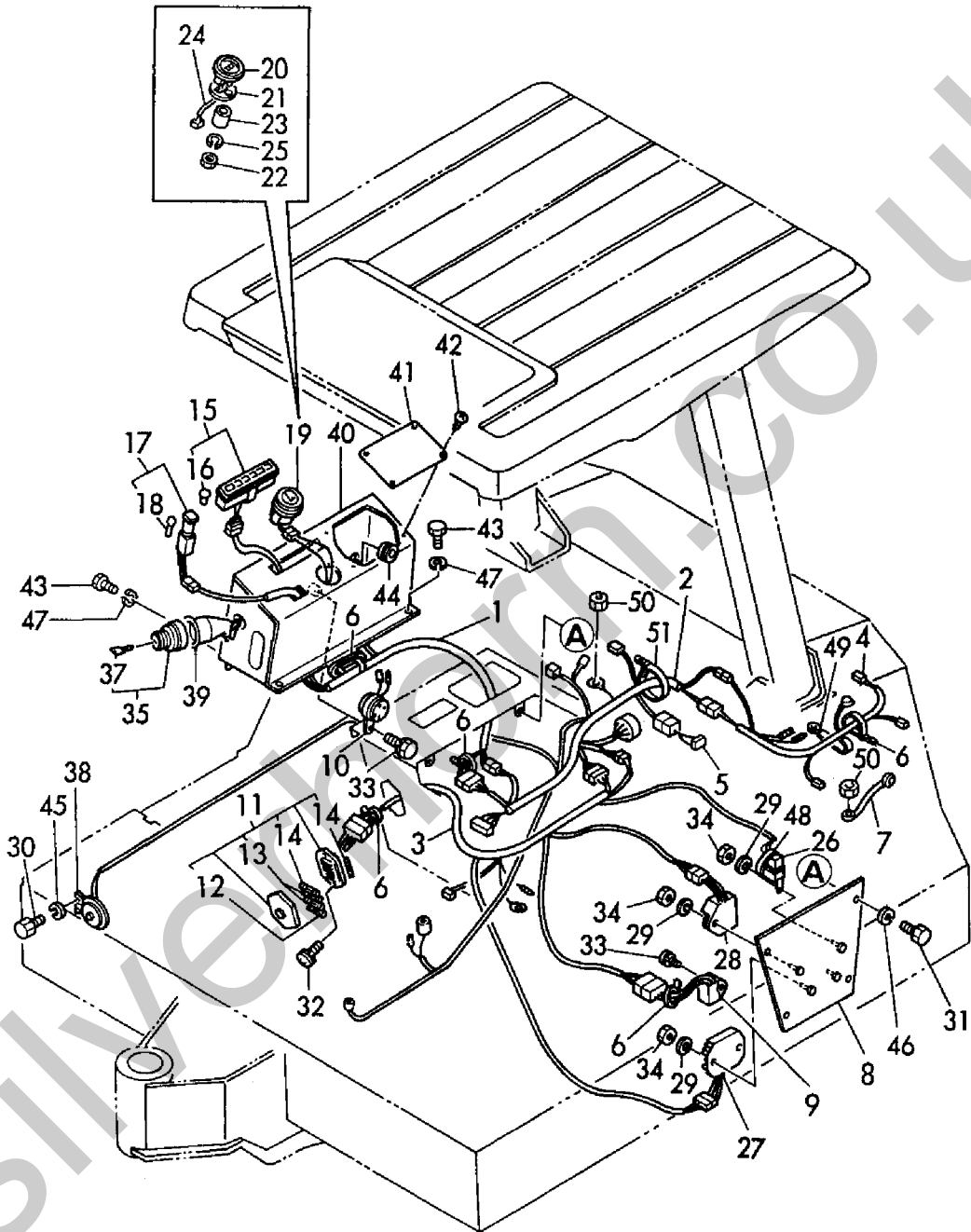
Silverhorn.CO.UK

Fig. 8 バッテリー BATTERY



1,1,,172142-16500,, "HARNESS(A), WIRE",,1,,,,,,,,,,,,,,,,,,,,,  
2,1,,172141-16521,, "HARNESS(B), WIRE",,1,,,,,,,,,,,,,,,,,,,,,  
3,1,,172141-16541,, "HARNESS(D), WIRE",,1,,,,,,,,,,,,,,,,,,,,,  
4,1,,172141-16550,, "HARNESS(E), WIRE",,1,,,,,,,,,,,,,,,,,,,,,  
5,1,,172122-16570,, "LINK, FUSIBLE",,1,,,,,,,,,,,,,,,,,,,,,  
6,1,,933168-55770,, "BAND 146",,5,,,,,,,,,,,,,,,,,,,,,  
7,1,,933171-15801,, "WIRE, EARTH",,1,,,,,,,,,,,,,,,,,,,,,  
8,1,,172141-17110,, "PLATE",,1,,,,,,,,,,,,,,,,,,,,,  
9,1,,172141-17141,, "UNIT, CHECKER",,1,,,,,,,,,,,,,,,,,,,,,  
10,1,,172141-17150,, "BUZZER",,1,,,,,,,,,,,,,,,,,,,,,  
11,1,,172141-17160,, "BOX, FUSE",,1,,,,,,,,,,,,,,,,,,,,,  
12,2,,29411-050000,, "FUSE ( 5A), CARTRIDGE",,1,,,,,,,,,,,,,,,,,,,,,  
13,2,,29411-100000,, "FUSE (10A), CARTRIDGE",,2,,,,,,,,,,,,,,,,,,,,,  
14,2,,29411-150000,, "FUSE (15A), CARTRIDGE",,2,,,,,,,,,,,,,,,,,,,,,  
15,1,,172141-17171,, "BOX, PILOT",,1,,,,,,,,,,,,,,,,,,,,,  
16,2,,933113-05120,, "BULB 12V 1.7W",,3,,,,,,,,,,,,,,,,,,,,,  
17,1,,172141-17190,, "SWITCH, WORK LAMP",,1,,,,,,,,,,,,,,,,,,,,,  
18,2,,172141-17230,, "BULB 24V- 6W",,1,,,,,,,,,,,,,,,,,,,,,  
19,1,,172147-17200,, "METER, HOUR",,1,,,,,,,,,,,,,,,,,,,,,  
20,2,,172147-17210,, "CASE, HOUR METER",,1,,,,,,,,,,,,,,,,,,,,,  
21,2,,172147-17220,, "CAP, HOUR METER",,1,,,,,,,,,,,,,,,,,,,,,  
22,2,,172147-17230,, "NUT",,2,,,,,,,,,,,,,,,,,,,,,  
23,2,,172147-17240,, "SLEEVE",,2,,,,,,,,,,,,,,,,,,,,,  
24,2,,172147-17250,, "WIRE, LEAD",,1,,,,,,,,,,,,,,,,,,,,,  
25,2,,22217-050000,, "SPRING WASHER 5",,2,,,,,,,,,,,,,,,,,,,,,  
26,1,,121522-77101,, "RELAY",,1,,,,,,,,,,,,,,,,,,,,,  
27,1,,119640-77711,, "LIMITER, CURRENT",,1,,,,,,,,,,,,,,,,,,,,,  
28,1,,121522-77721,, "INDICATOR, CHARGING",,1,,,,,,,,,,,,,,,,,,,,,  
29,1,,22217-060000,, "SPRING WASHER 6",,4,,,,,,,,,,,,,,,,,,,,,  
30,1,,26116-060122,, "BOLT M 6X 12",,2,,,,,,,,,,,,,,,,,,,,,  
31,1,,26116-100162,, "BOLT M10X 16 PLATED",,4,,,,,,,,,,,,,,,,,,,,,  
32,1,,26022-050162,, "SCREW M 5X 16",,2,,,,,,,,,,,,,,,,,,,,,  
33,1,,26022-060122,, "SCREW M 6X 12",,2,,,,,,,,,,,,,,,,,,,,,  
34,1,,26716-060002,, "NUT M 6",,4,,,,,,,,,,,,,,,,,,,,,  
35,1,,933110-00100,, "SWITCH ASSY, STARTER",,1,,,,,,,,,,,,,,,,,,,,,  
37,2,,933110-00301,, "KEY ASSY",,1,,,,,,,,,,,,,,,,,,,,,  
38,1,,933110-05300,, "HORN",,1,,,,,,,,,,,,,,,,,,,,,  
39,1,,933113-15900,, "COVER, SWITCH TERMI.",,1,,,,,,,,,,,,,,,,,,,,,  
40,1,,172141-63100,, "PANEL",,1,,,,,,,,,,,,,,,,,,,,,  
41,1,,172141-63140,, "COVER, IN-PANE",,1,,,,,,,,,,,,,,,,,,,,,  
42,1,,22857-400100,, "SCREW 4X10",,4,,,,,,,,,,,,,,,,,,,,,  
43,1,,26116-100202,, "BOLT M10X 20 PLATED",,4,,,,,,,,,,,,,,,,,,,,,  
44,1,,172112-69790,, "PLUG 32X2",,1,,,,,,,,,,,,,,,,,,,,,  
45,1,,22217-060000,, "SPRING WASHER 6",,2,,,,,,,,,,,,,,,,,,,,,  
46,1,,22217-100000,, "SPRING WASHER 10",,4,,,,,,,,,,,,,,,,,,,,,  
47,1,,22217-100000,, "SPRING WASHER 10",,4,,,,,,,,,,,,,,,,,,,,,  
48,1,,933168-55770,, "BAND 146",,4,,,,,,,,,,,,,,,,,,,,,  
49,1,,172126-16540,, "CLAMP 10X70",,2,,,,,,,,,,,,,,,,,,,,,  
50,1,,26716-100002,, "NUT M10",,2,,,,,,,,,,,,,,,,,,,,,  
51,1,,1E6102-84960,, "BAND 250, WIRE LOCK",,1,,,,,,,,,,,,,,,,,,,,,

Fig. 9 電装品 (キャノピ)  
ELECTRIC PART (CANOPY)



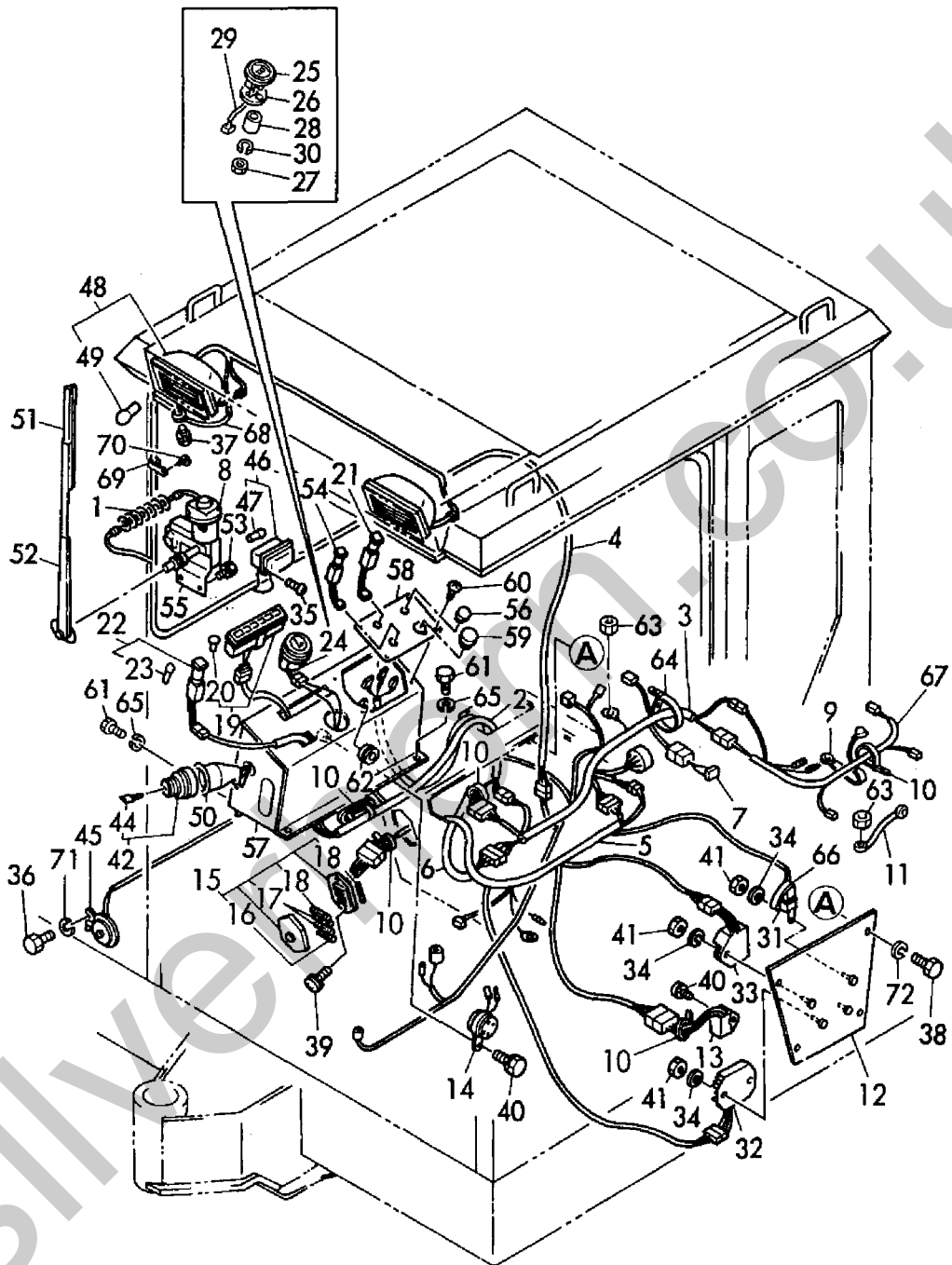
1,1,,172137-16000,,WIRE,1,,,,,,,,,,,,,  
2,1,,172142-16500,, "HARNESS(A), WIRE",1,,,,,,,,,,,,,  
3,1,,172141-16521,, "HARNESS(B), WIRE",1,,,,,,,,,,,,,  
4,1,,172141-16530,, "HARNESS(C), WIRE",1,,,,,,,,,,,,,  
5,1,,172141-16541,, "HARNESS(D), WIRE",1,,,,,,,,,,,,,  
6,1,,172142-16540,, "HARNESS(E), WIRE",1,,,,,,,,,,,,,  
7,1,,172122-16570,, "LINK, FUSIBLE",1,,,,,,,,,,,,,  
8,1,,194250-51660,, "BAND 250",1,,,,,,,,,,,,,  
9,1,,172126-16540,, "CLAMP 10X70",2,,,,,,,,,,,,,  
10,1,,933168-55770,, "BAND 146",5,,,,,,,,,,,,,  
11,1,,933171-15801,, "WIRE, EARTH",1,,,,,,,,,,,,,  
12,1,,172141-17110,, PLATE,1,,,,,,,,,,,,,  
13,1,,172141-17141,, "UNIT, CHECKER",1,,,,,,,,,,,,,  
14,1,,172141-17150,, BUZZER,1,,,,,,,,,,,,,  
15,1,,172141-17160,, "BOX, FUSE",1,,,,,,,,,,,,,  
16,2,,29411-050000,, "FUSE ( 5A), CARTRIDGE",1,,,,,,,,,,,,,  
17,2,,29411-100000,, "FUSE (10A), CARTRIDGE",2,,,,,,,,,,,,,  
18,2,,29411-150000,, "FUSE (15A), CARTRIDGE",2,,,,,,,,,,,,,  
19,1,,172141-17171,, "BOX, PILOT",1,,,,,,,,,,,,,  
20,2,,933113-05120,, "BULB 12V 1.7W",3,,,,,,,,,,,,,  
21,1,,933113-03000,, "SWITCH, LIGHTING",1,,,,,,,,,,,,,  
22,1,,172141-17190,, "SWITCH, WORK LAMP",1,,,,,,,,,,,,,  
23,2,,172141-17230,, "BULB 24V- 6W",1,,,,,,,,,,,,,  
24,1,,172147-17200,, "METER, HOUR",1,,,,,,,,,,,,,  
25,2,,172147-17210,, "CASE, HOUR METER",1,,,,,,,,,,,,,  
26,2,,172147-17220,, "CAP, HOUR METER",1,,,,,,,,,,,,,  
27,2,,172147-17230,, NUT,2,,,,,,,,,,,,,  
28,2,,172147-17240,, SLEEVE,2,,,,,,,,,,,,,  
29,2,,172147-17250,, "WIRE, LEAD",1,,,,,,,,,,,,,  
30,2,,22217-050000,, "SPRING WASHER 5",2,,,,,,,,,,,,,  
31,1,,121522-77101,, RELAY,1,,,,,,,,,,,,,  
32,1,,119640-77711,, "LIMITER, CURRENT",1,,,,,,,,,,,,,  
33,1,,121522-77721,, "INDICATOR, CHARGING",1,,,,,,,,,,,,,  
34,1,,22217-060000,, "SPRING WASHER 6",4,,,,,,,,,,,,,  
35,1,,22857-400100,, "SCREW 4X10",2,,,,,,,,,,,,,  
36,1,,26116-060122,, "BOLT M 6X 12",2,,,,,,,,,,,,,  
37,1,,26013-080162,, "BOLT W/WASHER M8X16",2,,,,,,,,,,,,,  
38,1,,26116-100162,, "BOLT M10X 16 PLATED",4,,,,,,,,,,,,,  
39,1,,26022-050162,, "SCREW M 5X 16",2,,,,,,,,,,,,,  
40,1,,26022-060122,, "SCREW M 6X 12",2,,,,,,,,,,,,,  
41,1,,26716-060002,, "NUT M 6",4,,,,,,,,,,,,,  
42,1,,933110-00100,, "SWITCH ASSY, STARTER",1,,,,,,,,,,,,,  
44,2,,933110-00301,, "KEY ASSY",1,,,,,,,,,,,,,  
45,1,,933110-05300,, HORN,1,,,,,,,,,,,,,  
46,1,,933113-05150,, "LAMP, ROOM",1,,,,,,,,,,,,,  
47,2,,933113-05160,, "BULB (12V5W)",1,,,,,,,,,,,,,  
48,1,,933113-05220,, "LAMP, HEAD",2,,,,,,,,,,,,,  
49,2,,933113-05230,, "BULB (12V20W)",2,,,,,,,,,,,,,  
50,1,,933113-15900,, "COVER, SWITCH TERMI.",1,,,,,,,,,,,,,  
51,1,,172734-17070,, "BLADE 450, WIPER",1,,,,,,,,,,,,,  
52,1,,172137-17100,, "ARM 450, WIPER",1,,,,,,,,,,,,,  
53,1,,26023-050122,, "SCREW M 5X 12",3,,,,,,,,,,,,,  
54,1,,933113-03100,, "SWITCH, WIPER",1,,,,,,,,,,,,,  
55,1,,933113-16200,, "MOTER 520 A, WIPER",1,,,,,,,,,,,,,  
56,1,,172111-16890,, "GROMMET 9",1,,,,,,,,,,,,,  
57,1,,172141-63100,, PANEL,1,,,,,,,,,,,,,  
58,1,,172141-63151,, "COVER, IN-PAME",1,,,,,,,,,,,,,  
59,1,,172312-17260,, "GROMMET 22X2.3",1,,,,,,,,,,,,,  
60,1,,22857-400100,, "SCREW 4X10",4,,,,,,,,,,,,,  
61,1,,26116-100202,, "BOLT M10X 20 PLATED",4,,,,,,,,,,,,,  
62,1,,933171-15680,, "GROMMET 40X13",1,,,,,,,,,,,,,  
63,1,,26716-100002,, "NUT M10",2,,,,,,,,,,,,,  
64,1,,1E6102-84960,, "BAND 250, WIRE LOCK",1,,,,,,,,,,,,,



65,1,,22217-100000,, "SPRING WASHER 10",4,,,,,,,,,,,,,,,,,,,,,  
66,1,,933168-55770,, "BAND 146",4,,,,,,,,,,,,,,,,,,,,,  
67,1,,172141-16550,, "HARNESS(E), WIRE",1,,,,,,,,,,,,,,,,,,,,,  
68,1,,172116-16560,, "LEAD WIRE(B",2,,,,,,,,,,,,,,,,,,,,,  
69,1,,172122-16590,, "BAND 200F",5,,,,,,,,,,,,,,,,,,,,,  
70,1,,22857-400120,, "SCREW 4X12",5,,,,,,,,,,,,,,,,,,,,,  
71,1,,22217-060000,, "SPRING WASHER 6",2,,,,,,,,,,,,,,,,,,,,,  
72,1,,22217-100000,, "SPRING WASHER 10",4,,,,,,,,,,,,,,,,,,,,,

Silverhorn.CO.UK

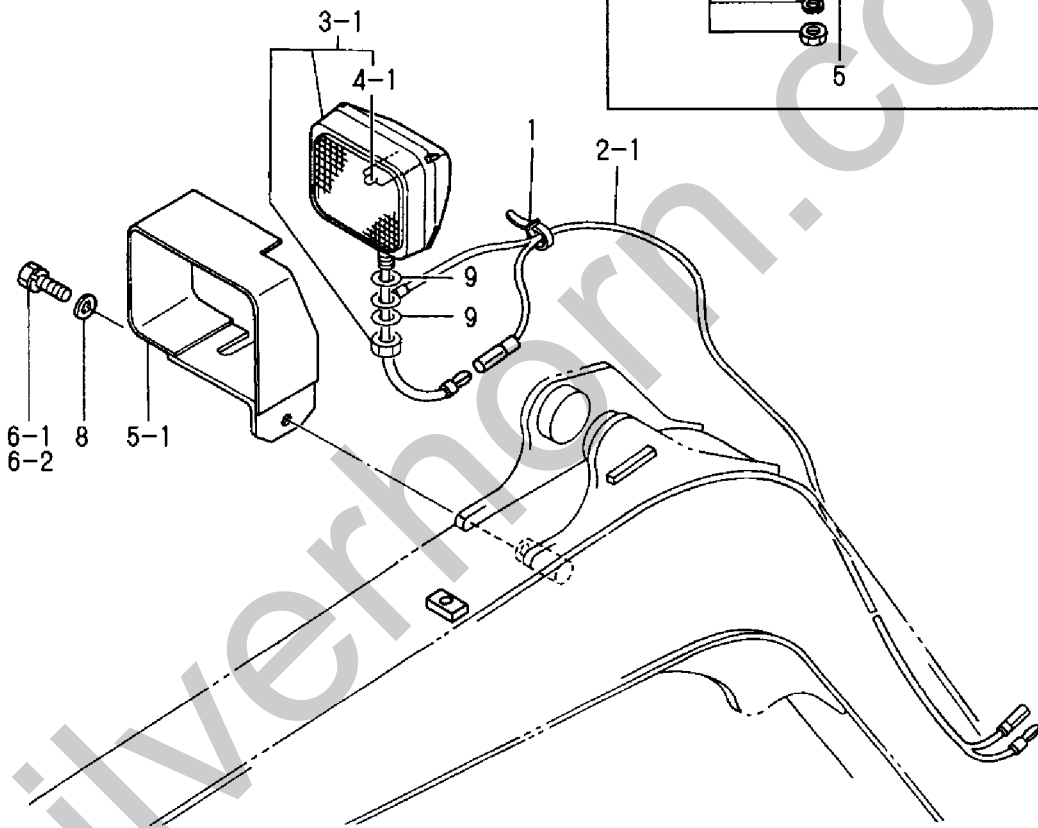
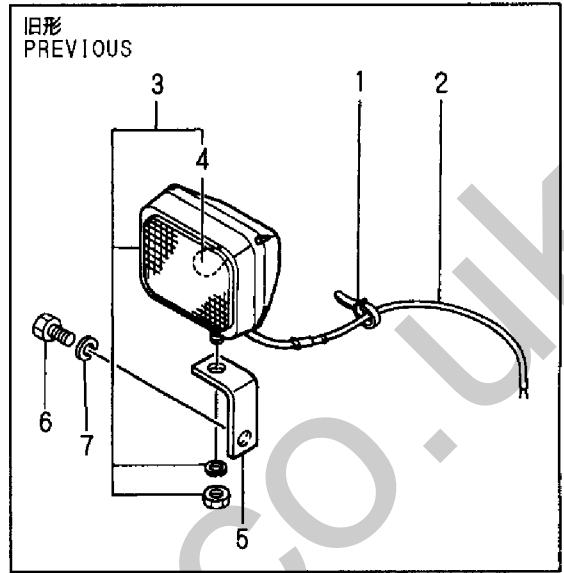
Fig. 10 電装品 (キャビン)  
ELECTRIC PART (CABIN)



1,1,,172137-16560,,BAND,5,5,,,,,,,,,,,,,  
2,1,,172141-16560,,,"WIRE, LAMP",1,1,,,,,,,,,,,,,  
2-1,1,,172141-16561,,,"WIRE, LAMP",1,1,,,,,S,,M10915,,M10915,,,,,  
3,1,,172141-17200,,,"LAMP, WORK",1,1,,,,,,,,,,,,,  
3-1,1,,172141-17201,,,"LAMP, WORK",1,1,,,,,N,,M10915,,M10915,,,,,  
4,2,,172141-17210,,,"BULB 12V-60W",1,1,,,,,,,,,,,,,  
4-1,2,,172141-17211,,,"BULB 12V55W",1,1,,,,,S,,M10915,,M10915,,,,,  
5,1,,172137-17400,,,"STAY, BOOM LIGHT",1,1,,,,,,,,,,,,,  
5-1,1,,172137-17401,,,"COVER",1,1,,,,,N,,M10501,,M10501,,,,,  
6,1,,26116-120252,,,"BOLT M12X 25 PLATED",1,1,,,,,,,,,,,,,  
6-1,1,,26013-120302,,,"BOLT W/WASHER M12X30",1,1,,,,,S,,M10501,,M10501,,,,,  
6-2,1,,26013-120252,,,"BOLT M12X 25",1,1,,,,,S,,M10915,,M10915,,,,,  
7,1,,22217-120000,,,"WASHER 12,SPRING",1,1,,,,,Z,,M10501,,M10501,,,,,  
8,1,,933152-03700,,,"WASHER, SIDE CLUTCH",1,1,,,,,W,,M10501,,M10501,,,,,  
9,1,,22137-130000,,,"WASHER 13",2,2,,,,,W,,M10915,,M10915,,,,,

Silverhorn.CO.UK

Fig. 11 ワークランプ  
WORK LAMP

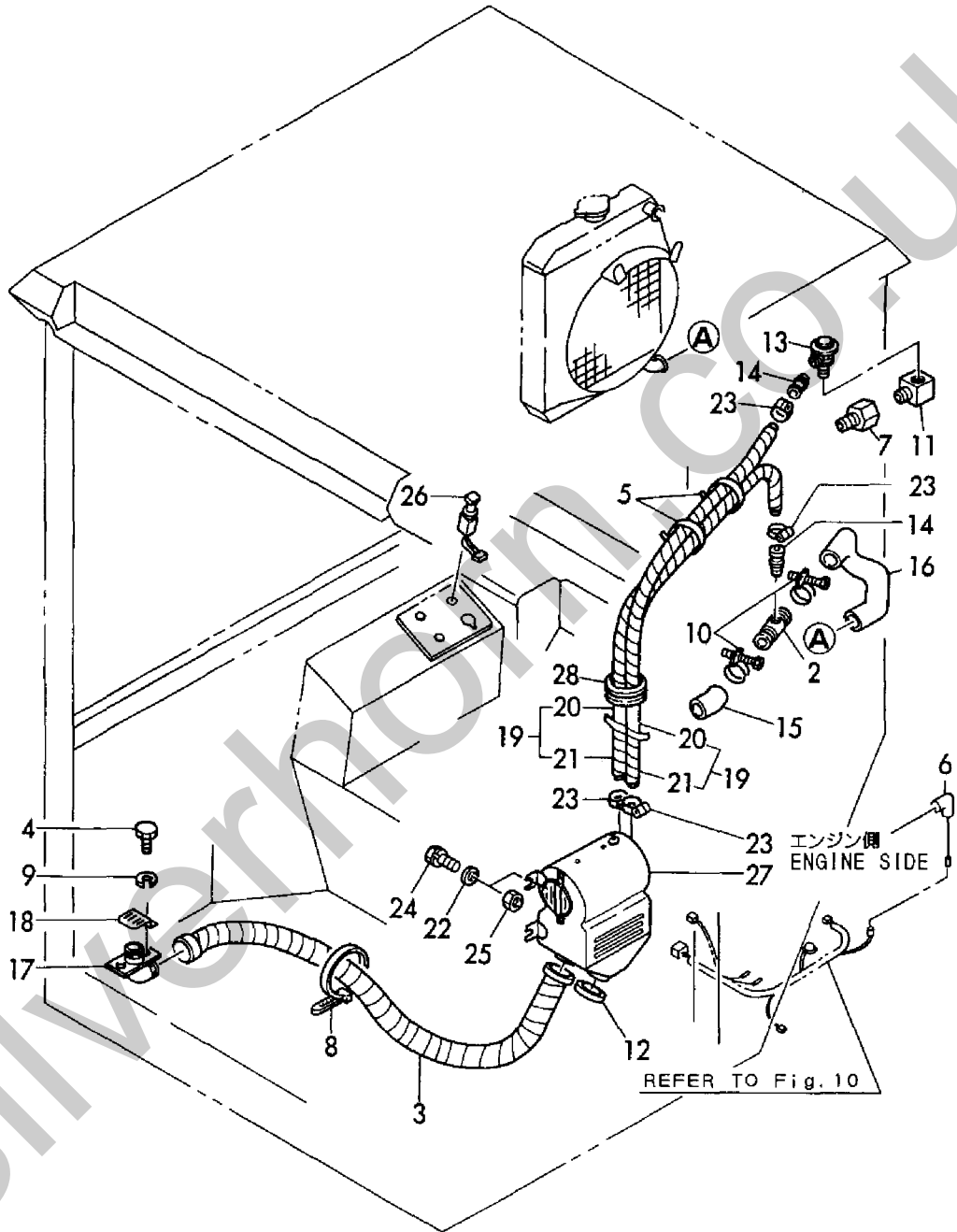


1,1,,772141-17601,, "HEATER ASSY",1,,,,,,,,,,,,,  
2,2,,172141-13490,, JOINT,1,,,,,,,,,,,,,  
3,2,,172141-17750,, "TUBE, AIR",1,,,,,,,,,,,,,  
4,2,,26116-100202,, "BOLT M10X 20 PLATED",2,,,,,,,,,,,,,  
5,2,,933152-09280,, "BAND 170",2,,,,,,,,,,,,,  
6,2,,172141-16570,, "WIRE, JOINT",1,,,,,,,,,,,,,  
7,2,,172137-17630,, "JOINT, HEATER",1,,,,,,,,,,,,,  
8,2,,194250-51660,, "BAND 250",2,,,,,,,,,,,,,  
9,2,,22217-100000,, "SPRING WASHER 10",2,,,,,,,,,,,,,  
10,2,,23010-038000,, "CLAMP 38",2,,,,,,,,,,,,,  
11,2,,933166-24240,, "ELBOW, SWIVEL JOINT",1,,,,,,,,,,,,,  
12,2,,172122-17730,, "COVER, DEFROSTER",1,,,,,,,,,,,,,  
13,2,,172124-17630,, "VALVE, MINIATURE",1,,,,,,,,,,,,,  
14,2,,172124-17640,, "JOINT 3/8",2,,,,,,,,,,,,,  
15,2,,172141-13470,, "PIPE(B,E), C.WATER",1,,,,,,,,,,,,,  
16,2,,172141-13480,, "PIPE(B,R), C.WATER",1,,,,,,,,,,,,,  
17,2,,172141-17600,, "ELBOW 90°",1,,,,,,,,,,,,,  
18,2,,172141-17640,, "COVER, PIPE",1,,,,,,,,,,,,,  
19,2,,172141-17680,, "HOSE ASSY, HEATER",2,,,,,,,,,,,,,  
20,3,,172141-17690,, "HOSE, HEATER",2,,,,,,,,,,,,,  
21,3,,172141-17700,, "TUBE, CORRUGAT",2,,,,,,,,,,,,,  
22,2,,22137-100000,, "WASHER 10,POLISHED",3,,,,,,,,,,,,,  
23,2,,23000-022000,, "CLAMP 22",4,,,,,,,,,,,,,  
24,2,,26013-100202,, "BOLT W/WASHER M10X20",3,,,,,,,,,,,,,  
25,2,,26716-100002,, "NUT M10",3,,,,,,,,,,,,,  
26,2,,933113-03200,, "SWITCH, HEATER",1,,,,,,,,,,,,,  
27,2,,933113-15700,, "HEATER ASSY",1,,,,,,,,,,,,,  
28,2,,933171-15680,, "GROMMET 40X13",3,,,,,,,,,,,,,

Silverhorn.CO.UK

# Fig. 12 ヒータ HEATER

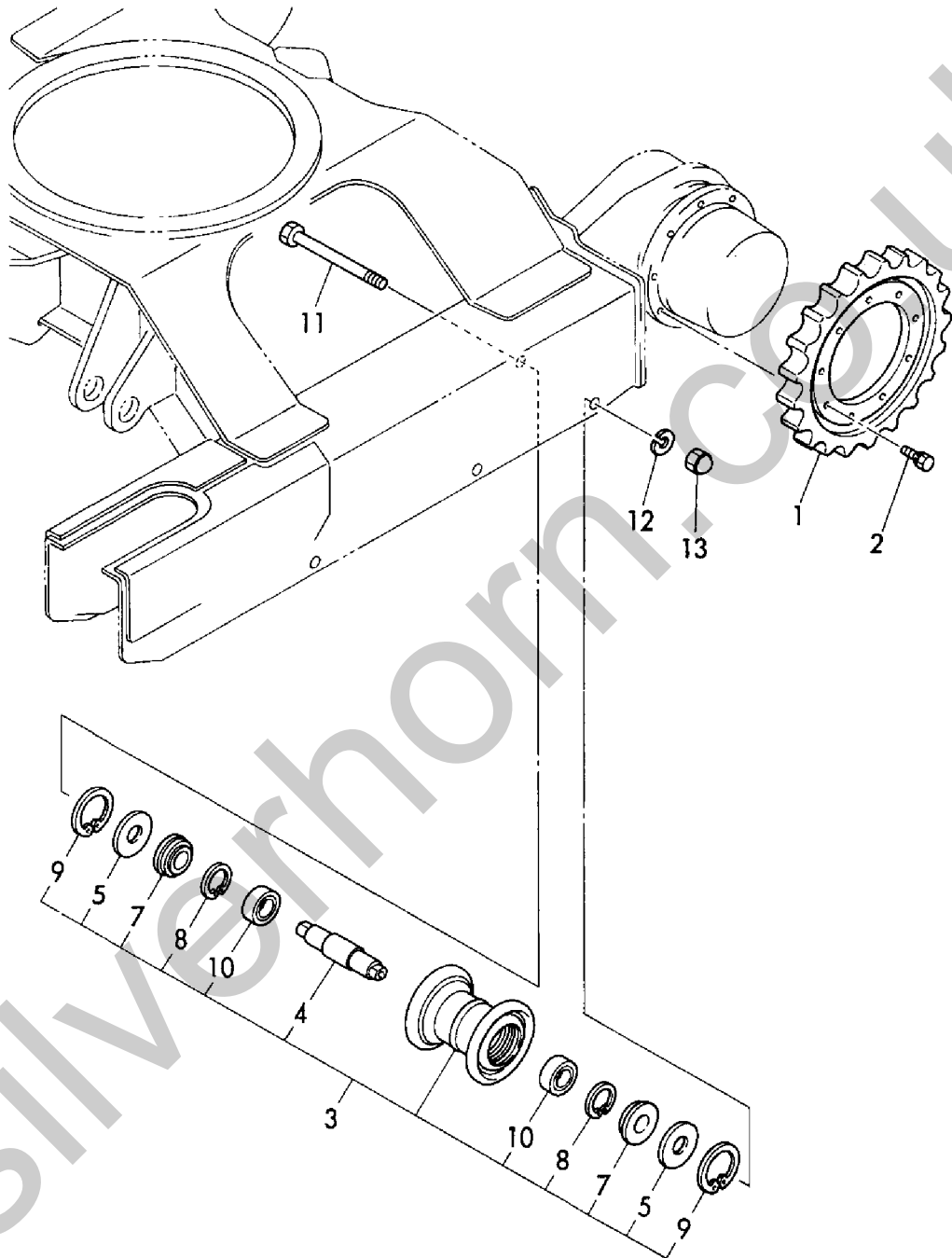
見出しNo. 1は、見出しNo. 2から28を含みます。  
1 inc. 2 ~ 28



1,1,,172141-29110,,SPROCKET,2,2,,,,,,,,,,,,,  
2,1,,26013-120302,, "BOLT W/WASHER M12X30",18,18,,,,,,,,,,,,,  
3,1,,772142-37300,, "ROLLER ASSY, TRACK",8,8,,,,,,,,,,,,,  
4,2,,172146-37310,, "SHAFT, ROLLER",6,6,,,,,,,,,,,,,  
5,2,,172141-37320,, "SPACER 75X2.6",16,16,,,,,,,,,M,,,,,,,,,  
5-1,2,,172141-37320,, "SPACER 75X2.6",12,12,,,,,,,,,,,,,  
7,2,,1A1030-48250,, "SEAL QLF30621218,OIL",16,16,,,,,,,,,M,,,,,,,,,  
7-1,2,,1A1030-48250,, "SEAL QLF30621218,OIL",12,12,,,,,,,,,,,,,  
8,2,,22252-000620,, "CIRCLIP 62(H)",12,12,,,,,,,,,,,,,  
9,2,,22252-000750,, "CIRCLIP 75",12,12,,,,,,,,,,,,,  
10,2,,933111-73800,, BEARING,12,12,,,,,,,,,,,,,  
11,1,,172113-36050,, "BOLT, ROLLER ADJUST",6,6,,,,,,,,,,,,,  
12,1,,22217-160000,, "SPRING WASHER 16",6,6,,,,,,,,,,,,,  
13,1,,26657-160002,, "CAP NUT M16",6,6,,,,,,,,,,,,,

Silverhorn.CO.UK

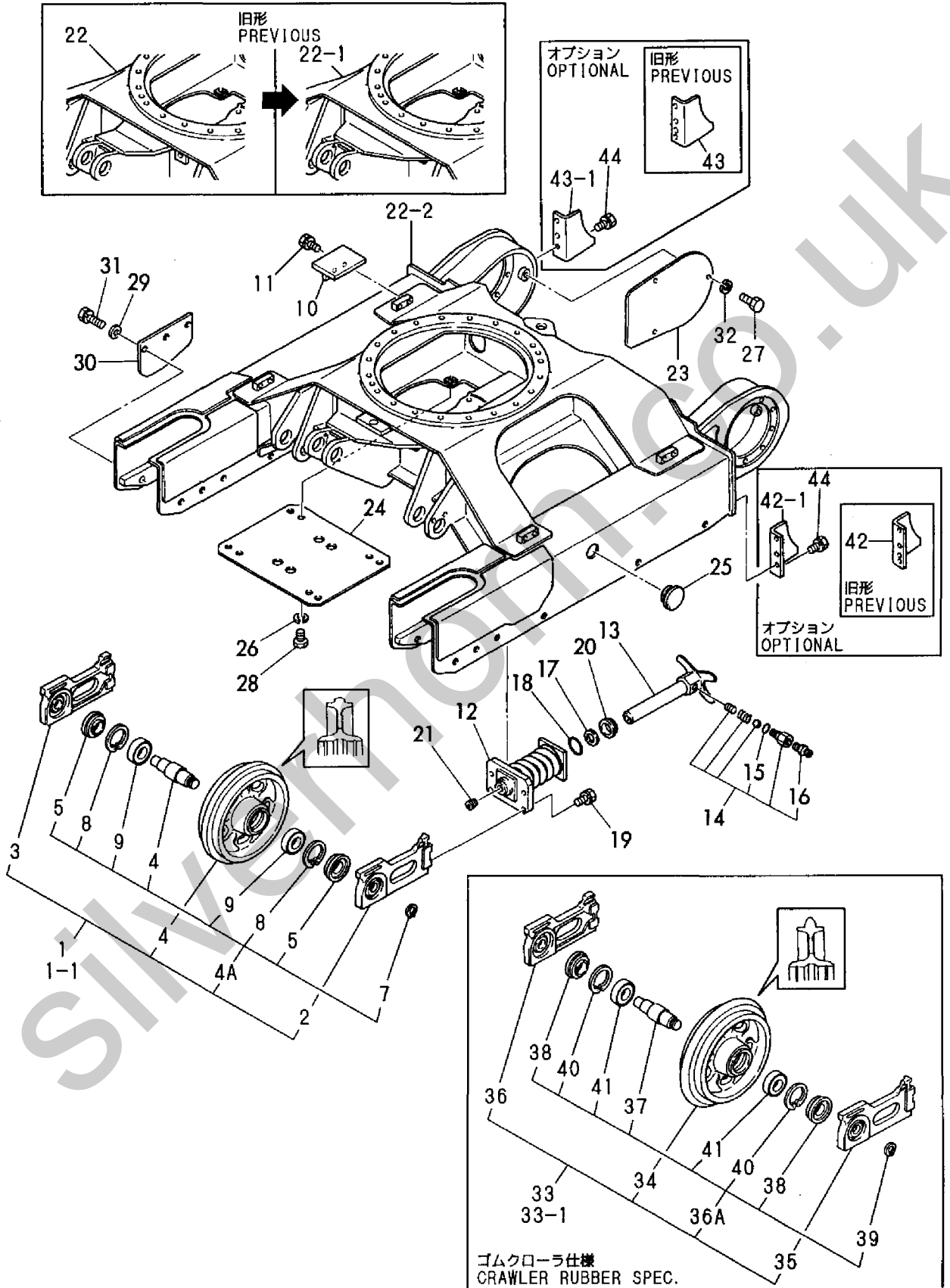
Fig. 13 **トラックローラ**  
TRACK ROLLER





1,1,,772141-37100,, "IDLER 280 ASSY",2,2,,,,,,,,,,,,,,,,,,,,,  
1-1,1,,772141-37101,, IDLER,2,2,,,,,R,,,,M10915,,M10915,,,,,  
2,2,,172141-37110,, "FORK(L), IDLER",2,2,,,,,,,,,,,,,,,,,,,,,  
2-1,2,,172141-37111,, "FORK(L), IDLER",2,2,,,,,R,,,,M10915,,M10915,,,,,  
3,2,,172141-37120,, "FORK(R), IDLER",2,2,,,,,,,,,,,,,,,,,,,,,  
3-1,2,,172141-37121,, "FORK(R), IDLER",2,2,,,,,R,,,,M10915,,M10915,,,,,  
4,2,,172141-37100,, "IDLER 280",2,2,,,,,,,,,,,,,,,,,,,,,  
4A,2,,172141-99490,, "IDLER KIT, FRONT",2,2,,,,,,,,,,,,,,,,,,,,,  
5,3,,172141-37130,, "SHAFT, IDLER",2,2,,,,,,,,,,,,,,,,,,,,,  
6,3,,172141-37140,, "SEAL 357220",4,4,,,,,,,,,,,,,,,,,,,,,  
7,3,,22242-000300,, "CIRCLIP 30",2,2,,,,,,,,,,,,,,,,,,,,,  
8,3,,22252-000720,, "CIRCLIP 72",4,4,,,,,,,,,,,,,,,,,,,,,  
9,3,,24101-062074,, "BALL BEARING",4,4,,,,,,,,,,,,,,,,,,,,,  
10,1,,172141-37501,, PLATE,4,4,,,,,,,,,,,,,,,,,,,,,  
11,1,,26013-100302,, "BOLT M10X 30",8,8,,,,,,,,,,,,,,,,,,,,,  
12,1,,172146-37700,, SPRING,2,2,,,,,,,,,,,,,,,,,,,,,  
13,1,,172141-37801,, "PISTON, ADJUST",2,2,,,,,,,,,,,,,,,,,,,,,  
14,1,,172122-37843,, "VALVE ASSY, NIPPLE",2,2,,,,,,,,,,,,,,,,,,,,,  
15,2,,24315-000140,, "O-RING 1B P-14.0",2,2,,,,,,,,,,,,,,,,,,,,,  
16,2,,24761-020000,, "NIPPLE PT1/8,GREASE",2,2,,,,,,,,,,,,,,,,,,,,,  
17,1,,172141-37850,, "RING G35, BACK UP",2,2,,,,,,,,,,,,,,,,,,,,,  
18,1,,24325-000350,, "O-RING 1B G 35.0",2,2,,,,,,,,,,,,,,,,,,,,,  
19,1,,26013-100402,, "BOLT M10X 40",8,8,,,,,,,,,,,,,,,,,,,,,  
20,1,,933126-34300,, "SEAL 3547710",2,2,,,,,,,,,,,,,,,,,,,,,  
21,1,,933171-13691,, "PLUG PT1/8",2,2,,,,,,,,,,,,,,,,,,,,,  
22,1,,172141-50101,, "FRAME ASSY, LOWER",1,1,,,,,,,,,,,,,,,,,,,,,  
22-1,1,,172141-50102,, "FRAME ASSY, LOWER",1,1,,,,,S,,,,M10915,,M10915,,,,,  
22-2,1,,172141-50103,, "FRAME ASSY, LOWER",1,1,,,,,N,,,,M10915,,M10915,,,,,  
23,1,,172141-50750,, "COVER, MOTOR",2,2,,,,,,,,,,,,,,,,,,,,,  
24,1,,172141-50761,, "COVER, UNDER",1,1,,,,,,,,,,,,,,,,,,,,,  
25,1,,172141-50890,, GROMMET,2,2,,,,,,,,,,,,,,,,,,,,,  
26,1,,22217-120000,, "WASHER 12,SPRING",4,4,,,,,,,,,,,,,,,,,,,,,  
27,1,,26116-100202,, "BOLT M10X 20 PLATED",6,6,,,,,,,,,,,,,,,,,,,,,  
28,1,,26116-120252,, "BOLT M12X 25 PLATED",4,4,,,,,,,,,,,,,,,,,,,,,  
29,1,,172730-05250,, "WASHER 12",12,12,,,,,,,,,,,,,,,,,,,,,  
30,1,,172141-50901,, "GUARD, SHOE",4,4,,,,,,,,,,,,,,,,,,,,,  
31,1,,26013-120452,, "BOLT M12X 45",12,12,,,,,,,,,,,,,,,,,,,,,  
32,1,,22217-100000,, "SPRING WASHER 10",6,6,,,,,,,,,,,,,,,,,,,,,  
33,1,,772146-37100,, "IDLER 280 ASSY",2,2,,,,,1,,,,,,,,,,,,,  
33-1,1,,772146-37101,, IDLER,2,2,,,,,R,1,,M10915,,M10915,,,,,  
34,2,,172146-37100,, "IDLER 280",2,2,,,,,1,,,,,,,,,,,,,  
35,2,,172141-37110,, "FORK(L), IDLER",2,2,,,,,1,,,,,,,,,,,,,  
35-1,2,,172141-37111,, "FORK(L), IDLER",2,2,,,,,R,1,,M10915,,M10915,,,,,  
36,2,,172141-37120,, "FORK(R), IDLER",2,2,,,,,1,,,,,,,,,,,,,  
36-1,2,,172141-37121,, "FORK(R), IDLER",2,2,,,,,R,1,,M10915,,M10915,,,,,  
36A,2,,172141-99490,, "IDLER KIT, FRONT",2,2,,,,,1,,,,,,,,,,,,,  
37,3,,172141-37130,, "SHAFT, IDLER",2,2,,,,,1,,,,,,,,,,,,,  
38,3,,172141-37140,, "SEAL 357220",4,4,,,,,1,,,,,,,,,,,,,  
39,3,,22242-000300,, "CIRCLIP 30",2,2,,,,,1,,,,,,,,,,,,,  
40,3,,22252-000720,, "CIRCLIP 72",4,4,,,,,1,,,,,,,,,,,,,  
41,3,,24101-062074,, "BALL BEARING",4,4,,,,,1,,,,,,,,,,,,,  
42,1,,172122-50851,, "GUARD(L), SPROCKET",1,1,,,,,2,,,,,,,,,,,,,  
42-1,1,,172122-50852,, "GUARD(L), SPROCKET",1,1,,,,,Q,2,,M00501,,M00501,,,,,  
43,1,,172122-50861,, "GUARD(R), SPROCKET",1,1,,,,,2,,,,,,,,,,,,,  
43-1,1,,172122-50862,, "GUARD(R), SPROCKET",1,1,,,,,Q,2,,M00501,,M00501,,,,,  
44,1,,26013-120252,, "BOLT M12X 25",6,6,,,,,2,,,,,,,,,,,,,

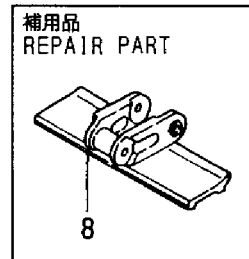
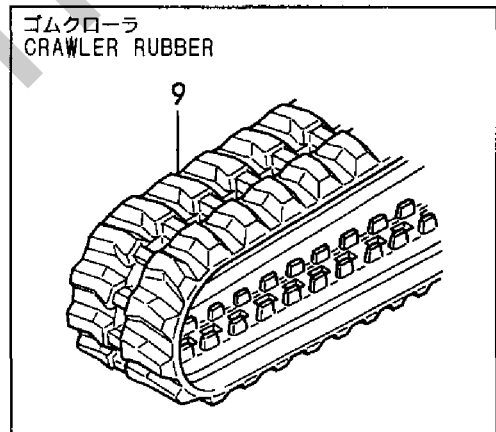
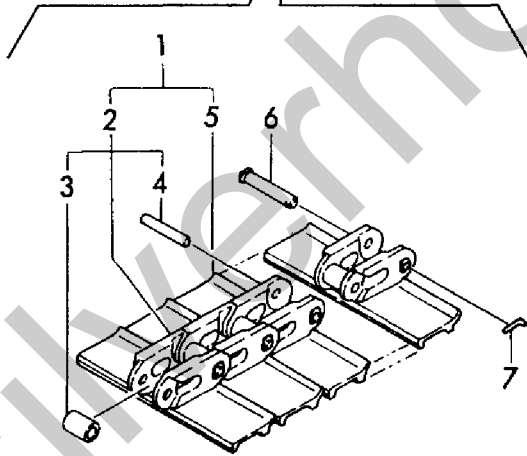
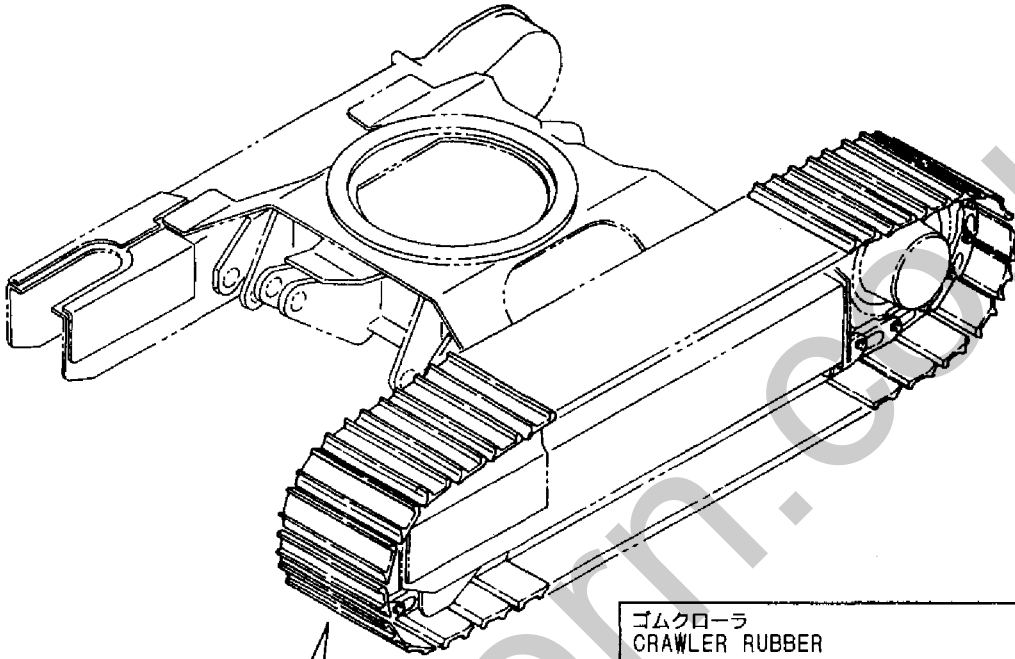
Fig. 14 トラックフレーム&アイドラ  
TRACK FRAME & IDLER



1,1,,172141-38110,, "CRAWLER 320 ASSY",2,2,,,,,,,,,,,,,  
2,2,,172141-38150,, "LINK ASSY, CRAWLER",2,2,,,,,,,,,,,,,  
3,3,,172141-38200,, BUSH,72,72,,,,,,,,,,,,,  
4,3,,172141-38210,, "PIN, CRAWLER",70,70,,,,,,,,,,,,,  
5,2,,172072-13790,, "PLATE, SHOE",72,72,,,,,,,,,,,,,  
6,1,,172141-38220,, "PIN, MASTER",2,2,,,,,,,,,,,,,  
7,1,,172614-38300,, "PIN 5X45, LOCK",2,2,,,,,,,,,,,,,  
8,1,,172141-38250,, "TRACK 320, MASTER",2,2,,,,,1,,,,,  
9,1,,172160-38600,, "CRAWLER, RUBBER",2,2,,,,,,,,,,,,,

Silverhorn.CO.UK

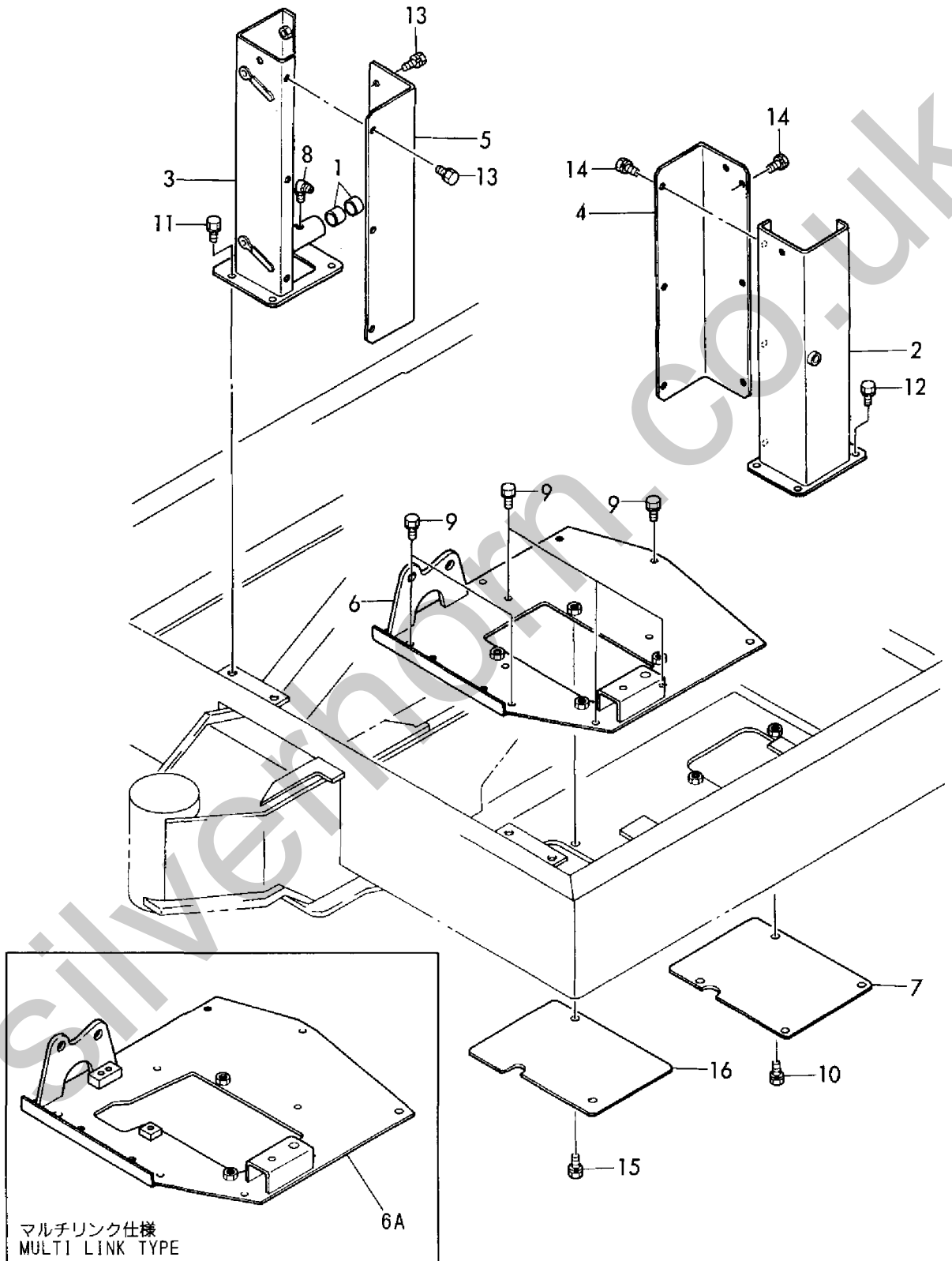
Fig. 15 クローラ (320)  
CRAWLER (320)



1,1,,172141-41370,, "BUSH 2015",2,2,,,,,,,,,,,,,,,,,,,,,  
2,1,,172141-42101,, "SUPPORT(L), LINK",1,1,,,,,,,,,,,,,,,,,,,,,  
3,1,,172141-42201,, "SUPPORT(R), LINK",1,1,,,,,,,,,,,,,,,,,,,,,  
4,1,,172141-42231,, "COVER(L), SUPPORT",1,1,,,,,,,,,,,,,,,,,,,,,  
5,1,,172141-42241,, "COVER(R), SUPPORT",1,1,,,,,,,,,,,,,,,,,,,,,  
6,1,,172141-42300,, "PLATE, LINK",1,1,,,,,,,,,,,,,,,,,,,,,  
6A,1,,172141-43800,, "PLATE ASSY, MULTI",1,1,,,,,1,,,,,,,,,,,,,  
7,1,,172141-42390,, "COVER, UNDER",1,1,,,,,,,,,,,,,,,,,,,,,  
8,1,,24761-050000,, "NIPPLE C,GREASE",1,1,,,,,,,,,,,,,,,,,,,,,  
9,1,,26013-100202,, "BOLT W/WASHER M10X20",6,6,,,,,,,,,,,,,,,,,,,,,  
10,1,,26013-100202,, "BOLT W/WASHER M10X20",4,4,,,,,,,,,,,,,,,,,,,,,  
11,1,,26013-100202,, "BOLT W/WASHER M10X20",4,4,,,,,,,,,,,,,,,,,,,,,  
12,1,,26013-100202,, "BOLT W/WASHER M10X20",4,4,,,,,,,,,,,,,,,,,,,,,  
13,1,,26013-100202,, "BOLT W/WASHER M10X20",6,6,,,,,,,,,,,,,,,,,,,,,  
14,1,,26013-100202,, "BOLT W/WASHER M10X20",6,6,,,,,,,,,,,,,,,,,,,,,  
15,1,,26013-100252,, "BOLT W/WASHER M10X25",2,2,,,,,,,,,,,,,,,,,,,,,  
16,1,,172141-43820,, "COVER(A), UNDER",1,1,,,,,,,,,,,,,,,,,,,,,

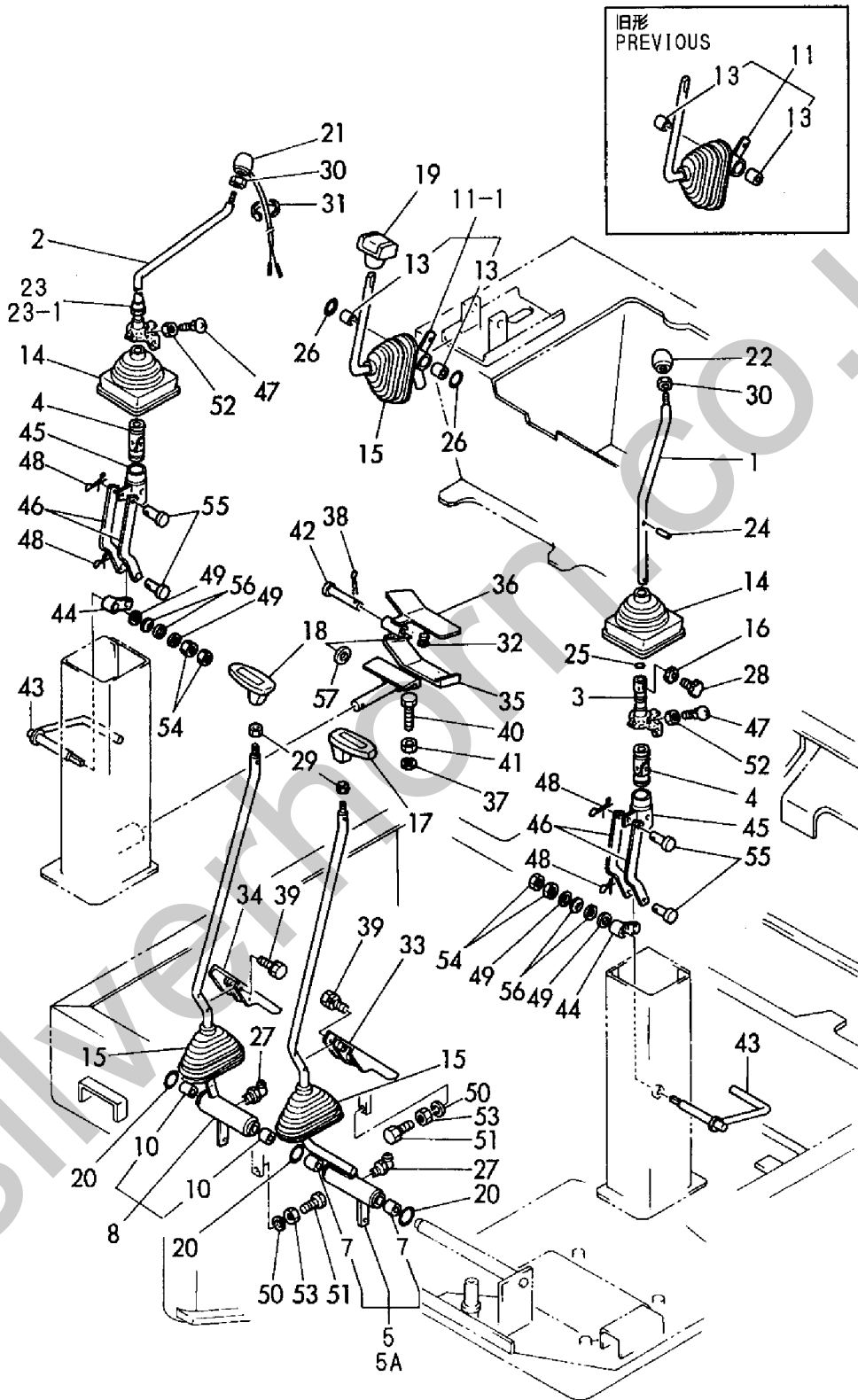
Silverhorn.CO.UK

Fig. 16 リンク台  
LINK STAND



1,1,,172141-41100,,LEVER(L),1,1,,,,,,,,,,,,,  
2,1,,172141-41110,,LEVER(R),1,1,,,,,,,,,,,,,  
3,1,,172141-41150,, "LINK(L), LEVER",1,1,,,,,,,,,,,,,  
4,1,,172141-41160,,JOINT,2,2,,,,,,,,,,,,,  
5,1,,172141-41171,, "LEVER(L) W/BUSH",1,1,,,,,,,,,,,,,  
5A,1,,172141-43641,, "LEVER(L), MULTI",1,1,,,,,1,,,,,,,,,,,,,  
7,2,,172141-41370,, "BUSH 2015",2,2,,,,,,,,,,,,,  
8,1,,172141-41231,, "LEVER(R) W/BUSH",1,1,,,,,,,,,,,,,  
10,2,,172141-41370,, "BUSH 2015",2,2,,,,,,,,,,,,,  
11,1,,172141-41270,, "LEVER W/BUSH, BLADE",1,1,,,,,,,,,,,,,  
11-1,1,,172141-41271,, "LEVER W/BUSH, BLADE",1,1,,,,,F,2,,M10501,,M10501,,,,,  
13,2,,172141-41360,, "BUSH 1415",2,2,,,,,,,,,,,,,  
14,1,,172141-41330,, "BOOTS, LEVER (BLACK)",2,2,,,,,,,,,,,,,  
14-1,1,,172141-41331,, "BOOTS, LEVER (GRAY)",2,2,,,,,S,3,,M10501,,M10501,,,,,  
15,1,,172141-41340,,BOOTS,3,3,,,,,,,,,,,,,  
16,1,,172141-41380,,NUT,1,1,,,,,,,,,,,,,  
17,1,,172122-45050,, "KNOB (L)",1,1,,,,,,,,,,,,,  
18,1,,172122-45060,, "KNOB (R)",1,1,,,,,,,,,,,,,  
19,1,,172116-45940,, "KNOB (C), LEVER",1,1,,,,,,,,,,,,,  
20,1,,172124-46200,, "O-RING 27X5.7",3,3,,,,,,,,,,,,,  
21,1,,172312-46301,,KNOB(A),1,1,,,,,,,,,,,,,  
22,1,,172312-46321,,KNOB(B),1,1,,,,,,,,,,,,,  
23,1,,172141-41310,,GROMMET,1,1,,,,,,,,,,,,,  
23-1,1,,172141-41311,,GROMMET,1,1,,,,,S,3,,M10501,,M10501,,,,,  
24,1,,22351-030010,, "SPRING PIN 3X10",1,1,,,,,,,,,,,,,  
25,1,,24311-000140,, "O-RING 1A P-14.0",1,1,,,,,,,,,,,,,  
26,1,,24311-000210,, "O-RING 1A P-21.0",2,2,,,,,,,,,,,,,  
27,1,,24761-050000,, "NIPPLE C,GREASE",2,2,,,,,,,,,,,,,  
28,1,,26063-080201,, "BOLT M 8X 20",1,1,,,,,,,,,,,,,  
29,1,,26716-100002,, "NUT M10",2,2,,,,,,,,,,,,,  
30,1,,26757-100002,, "LOCK NUT M10",2,2,,,,,,,,,,,,,  
31,1,,933168-55770,, "BAND 146",2,2,,,,,,,,,,,,,  
32,1,,172111-16890,, "GROMMET 9",1,1,,,,,,,,,,,,,  
33,1,,172141-41840,, "PEDAL(L), TRACK",1,1,,,,,,,,,,,,,  
34,1,,172141-41850,, "PEDAL(R), TRACK",1,1,,,,,,,,,,,,,  
35,1,,172141-41900,, "PEDAL, SWING",1,1,,,,,,,,,,,,,  
36,1,,172141-41940,, "LOCK, SWING",1,1,,,,,,,,,,,,,  
37,1,,22217-100000,, "SPRING WASHER 10",2,2,,,,,,,,,,,,,  
38,1,,22417-250200,, "COTTER PIN 2.5X20",1,1,,,,,,,,,,,,,  
39,1,,26013-060352,, "BOLT M 6X 35",4,4,,,,,,,,,,,,,  
40,1,,26116-100404,, "BOLT M10X 40 PLATED",2,2,,,,,,,,,,,,,  
41,1,,26716-100002,, "NUT M10",2,2,,,,,,,,,,,,,  
42,1,,933171-18390,, "PIN, FOOT BAR",1,1,,,,,,,,,,,,,  
43,1,,172141-42501,, "LEVER, LOCK",2,2,,,,,,,,,,,,,  
44,1,,172141-42551,, "ARM, LOCK",2,2,,,,,,,,,,,,,  
45,1,,172141-42600,, "PIPE, LOCK",2,2,,,,,,,,,,,,,  
46,1,,172141-42700,, "LINK, LOCK",4,4,,,,,,,,,,,,,  
47,1,,172141-42750,, "BOLT, STOPPER",8,8,,,,,,,,,,,,,  
48,1,,1C6281-52310,, "PIN 6,COME-OFF SNAP",4,4,,,,,,,,,,,,,  
49,1,,22137-120000,, "WASHER 12,POLISHED",4,4,,,,,,,,,,,,,  
50,1,,22217-100000,, "SPRING WASHER 10",4,4,,,,,,,,,,,,,  
51,1,,26116-100504,, "BOLT M10X 50 PLATED",4,4,,,,,,,,,,,,,  
52,1,,26716-080002,, "NUT M 8",8,8,,,,,,,,,,,,,  
53,1,,26716-100002,, "NUT M10",4,4,,,,,,,,,,,,,  
54,1,,26756-120002,, "LOCK NUT M12 PLATED",4,4,,,,,,,,,,,,,  
55,1,,933110-54100,, "PIN 4.75X14",4,4,,,,,,,,,,,,,  
56,1,,933170-01490,, "SPRING 12",4,4,,,,,,,,,,,,,  
57,1,,172614-45170,, "SPRING 12",1,1,,,,,,,,,,,,,

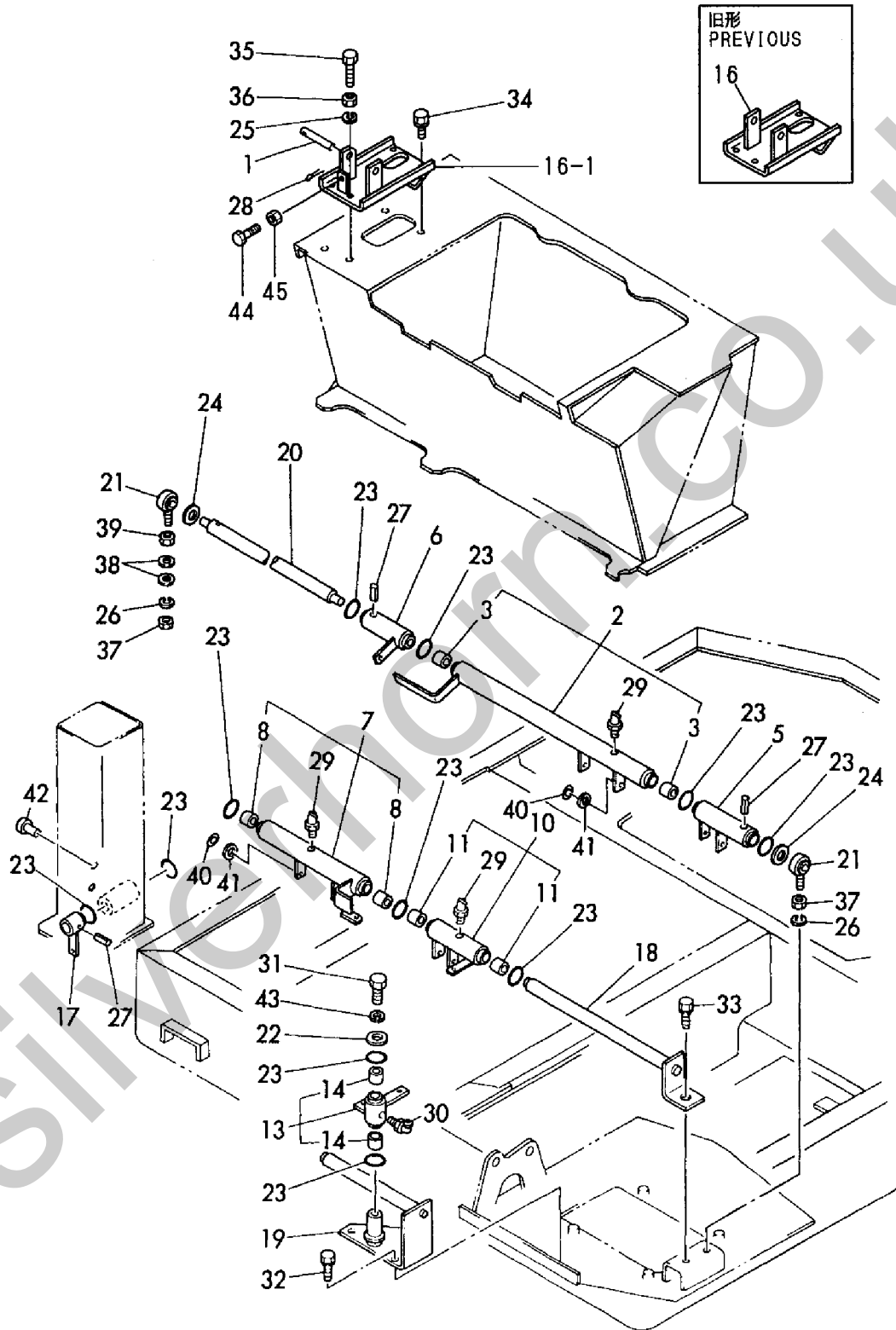
Fig. 17 操縦装置 (レバー) CONTROL EQUIPMENT (LEVER)





1,1,,172112-41380,, "SHAFT, BLADE LEVER",1,1,,,,,,,,,,,,,  
2,1,,172141-41400,, "LINK W/BUSH, BOOM",1,1,,,,,,,,,,,,,  
3,2,,172141-41370,, "BUSH 2015",2,2,,,,,,,,,,,,,  
5,1,,172141-41460,, "LINK(A), BUCKET",1,1,,,,,,,,,,,,,  
6,1,,172141-41490,, "LINK(B), BUCKET",1,1,,,,,,,,,,,,,  
7,1,,172141-41510,, "LINK W/BUSH, ARM",1,1,,,,,,,,,,,,,  
8,2,,172141-41370,, "BUSH 2015",2,2,,,,,,,,,,,,,  
10,1,,172141-41570,, "LINK W/BUSH, TURNING",1,1,,,,,,,,,,,,,  
11,2,,172141-41370,, "BUSH 2015",2,2,,,,,,,,,,,,,  
13,1,,172141-41610,, "LINK W/BUSH, SWING",1,1,,,,,,,,,,,,,  
14,2,,172141-41370,, "BUSH 2015",2,2,,,,,,,,,,,,,  
16,1,,172141-41660,, "BRACKET",1,1,,,,,,,,,,,,,  
16-1,1,,172141-41661,, "BRACKET CMP",1,1,,,,,F,1,,M10501,,M10501,,,,,  
17,1,,172141-41700,, "LINK, SWING",1,1,,,,,,,,,,,,,  
18,1,,172141-41720,, "SHAFT(A)",1,1,,,,,,,,,,,,,  
19,1,,172141-41760,, "SHAFT, TRACK",1,1,,,,,,,,,,,,,  
20,1,,172141-41810,, "SHAFT, LINK",1,1,,,,,,,,,,,,,  
21,1,,172122-45720,, "ROD-END 14",2,2,,,,,,,,,,,,,  
22,1,,1A1040-45890,, "WASHER 10 36 4.5",1,1,,,,,,,,,,,,,  
23,1,,172124-46200,, "O-RING 27X5.7",11,11,,,,,,,,,,,,,  
24,1,,22157-120000,, "WASHER 12",2,2,,,,,,,,,,,,,  
25,1,,22217-100000,, "SPRING WASHER 10",1,1,,,,,,,,,,,,,  
26,1,,22217-140000,, "SPRING WASHER 14",2,2,,,,,,,,,,,,,  
27,1,,22351-050036,, "SPRING PIN 5X36",3,3,,,,,,,,,,,,,  
28,1,,22417-400400,, "COTTER PIN 4.0X40",1,1,,,,,,,,,,,,,  
29,1,,24761-040000,, "NIPPLE B,GREASE",3,3,,,,,,,,,,,,,  
30,1,,24761-050000,, "NIPPLE C,GREASE",1,1,,,,,,,,,,,,,  
31,1,,26116-100202,, "BOLT M10X 20 PLATED",1,1,,,,,,,,,,,,,  
32,1,,26013-100202,, "BOLT W/WASHER M10X20",3,3,,,,,,,,,,,,,  
33,1,,26013-100202,, "BOLT W/WASHER M10X20",1,1,,,,,,,,,,,,,  
34,1,,26013-100252,, "BOLT W/WASHER M10X25",3,3,,,,,,,,,,,,,  
35,1,,26116-100604,, "BOLT M10X 60 PLATED",1,1,,,,,,,,,,,,,  
36,1,,26716-100002,, "NUT M10",1,1,,,,,,,,,,,,,  
37,1,,26716-140002,, "NUT M14",2,2,,,,,,,,,,,,,  
38,1,,22137-140000,, "WASHER 14,POLISHED",2,2,,,,,,,,,,,,,  
39,1,,26756-140002,, "LOCK NUT M14 PLATED",1,1,,,,,,,,,,,,,  
40,1,,194630-47340,, "SHIM 0.4",2,2,,,,,,,,,,,,,  
41,1,,22117-080000,, "WASHER 8",2,2,,,,,,,,,,,,,  
42,1,,194150-24270,, "SCREW CAP 13",2,2,,,,,,,,,,,,,  
43,1,,22217-100000,, "SPRING WASHER 10",1,1,,,,,,,,,,,,,  
44,1,,26116-100302,, "BOLT M10X 30 PLATED",1,1,,,,,W,,M10501,,M10501,,,,,  
45,1,,26716-100002,, "NUT M10",1,1,,,,,W,,M10501,,M10501,,,,,

Fig. 18 操縦装置 (リンク)  
CONTROL EQUIPMENT (LINK)



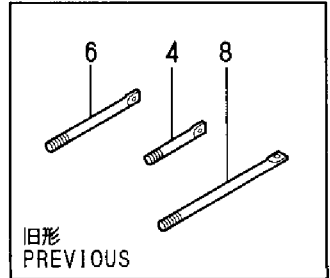
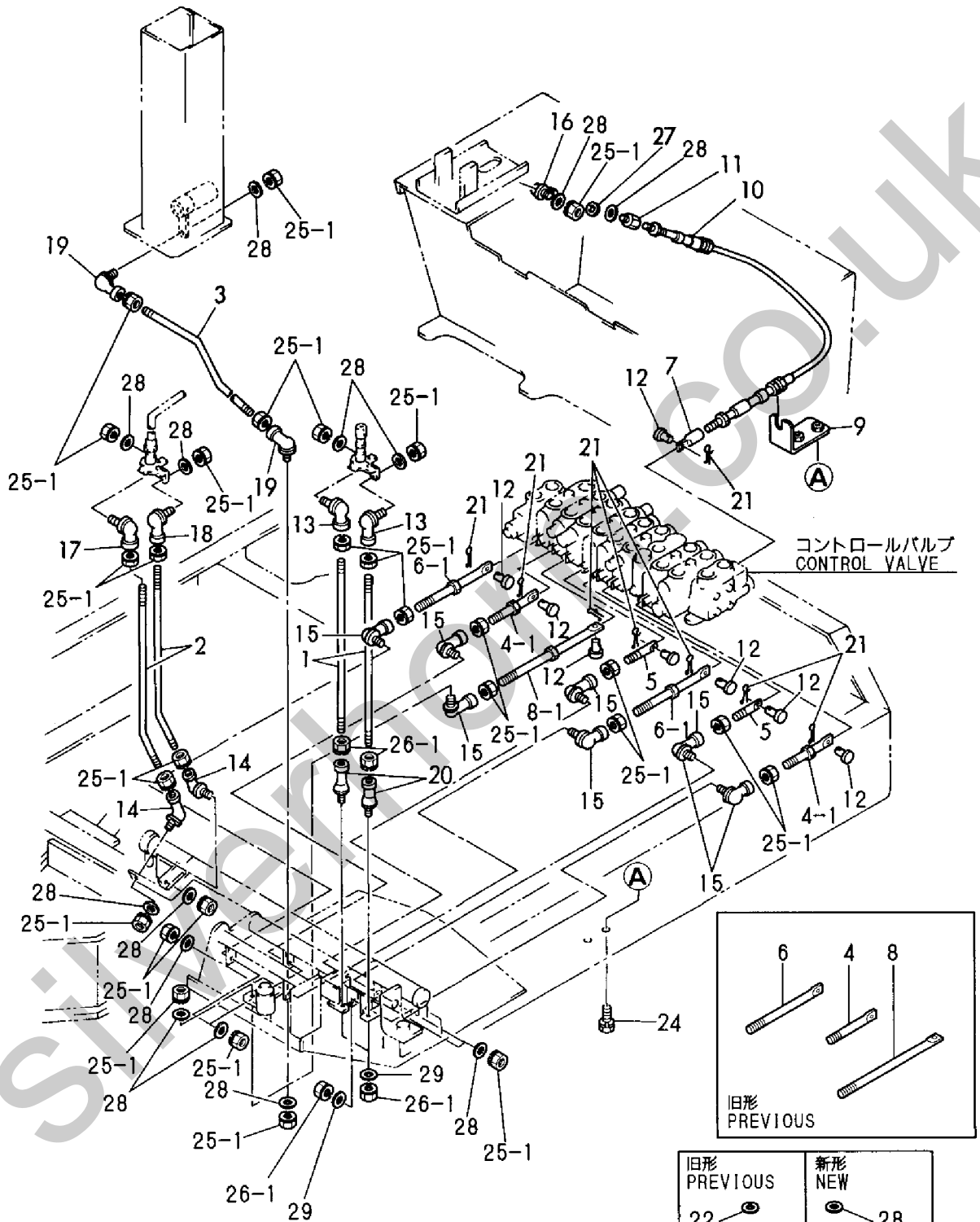
1,1,,194150-24270,, "SCREW CAP 13",2,2,,,,,,,,,,,,,,,,,,,,,  
2,1,,172112-41380,, "SHAFT, BLADE LEVER",1,1,,,,,,,,,,,,,,,,,,,,,  
3,1,,172141-41490,, "LINK(B), BUCKET",1,1,,,,,,,,,,,,,,,,,,,,,  
4,1,,172141-41661,, "BRACKET CMP",1,1,,,,,,,,,,,,,,,,,,,,,  
5,1,,172141-41700,, "LINK, SWING",1,1,,,,,,,,,,,,,,,,,,,,,  
6,1,,172141-41810,, "SHAFT, LINK",1,1,,,,,,,,,,,,,,,,,,,,,  
7,1,,172141-43660,, "LINK(G), MULTI",1,1,,,,,,,,,,,,,,,,,,,,,  
8,2,,172141-41370,, "BUSH 2015",2,2,,,,,,,,,,,,,,,,,,,,,  
10,1,,172141-43690,, "LINK(H), MULTI",1,1,,,,,,,,,,,,,,,,,,,,,  
11,2,,172141-41370,, "BUSH 2015",2,2,,,,,,,,,,,,,,,,,,,,,  
13,1,,172141-43710,, "LINK ARM, MULTI",1,1,,,,,,,,,,,,,,,,,,,,,  
14,2,,172141-41370,, "BUSH 2015",2,2,,,,,,,,,,,,,,,,,,,,,  
16,1,,172141-43750,, "LINK BUCKET, MULTI",1,1,,,,,,,,,,,,,,,,,,,,,  
17,1,,172141-43770,, "LINK, BOOM",1,1,,,,,,,,,,,,,,,,,,,,,  
18,2,,172141-41370,, "BUSH 2015",2,2,,,,,,,,,,,,,,,,,,,,,  
20,1,,172142-45420,, "SHAFT, SWING",1,1,,,,,,,,,,,,,,,,,,,,,  
21,1,,172122-45720,, "ROD-END 14",2,2,,,,,,,,,,,,,,,,,,,,,  
22,1,,1A1040-45890,, "WASHER 10 36 4.5",1,1,,,,,,,,,,,,,,,,,,,,,  
23,1,,172148-46190,, "LINK(C), MULTI",1,1,,,,,,,,,,,,,,,,,,,,,  
24,2,,172141-41370,, "BUSH 2015",2,2,,,,,,,,,,,,,,,,,,,,,  
26,1,,172124-46200,, "O-RING 27X5.7",16,16,,,,,,,,,,,,,,,,,,,,,  
27,1,,172148-46230,, "SHAFT(A), MULTI",1,1,,,,,,,,,,,,,,,,,,,,,  
28,1,,172148-46270,, "SHAFT(B), MULTI",1,1,,,,,,,,,,,,,,,,,,,,,  
29,1,,172148-46360,, "LINK(D), MULTI",1,1,,,,,,,,,,,,,,,,,,,,,  
30,2,,172141-41370,, "BUSH 2015",2,2,,,,,,,,,,,,,,,,,,,,,  
32,1,,172148-46400,, "LINK, SWING",1,1,,,,,,,,,,,,,,,,,,,,,  
33,2,,172141-41370,, "BUSH 2015",2,2,,,,,,,,,,,,,,,,,,,,,  
35,1,,172148-46440,, "SHAFT(C), MULTI",1,1,,,,,,,,,,,,,,,,,,,,,  
36,1,,172148-46470,, "SHAFT(D), MULTI",1,1,,,,,,,,,,,,,,,,,,,,,  
37,1,,172148-46510,, "PLATE, SUPPORT",1,1,,,,,,,,,,,,,,,,,,,,,  
38,1,,172148-46520,, "SPRING",5,5,,,,,,,,,,,,,,,,,,,,,  
39,1,,172148-46530,, "LINK, SPOOL A",3,3,,,,,,,,,,,,,,,,,,,,,  
40,1,,172148-46560,, "LINK, SPOOL B",1,1,,,,,,,,,,,,,,,,,,,,,  
41,1,,172148-46590,, "PIN CMP",4,4,,,,,,,,,,,,,,,,,,,,,  
42,1,,22137-040000,, "WASHER 4, POLISHED",10,10,,,,,,,,,,,,,,,,,,,,,  
43,1,,22137-140000,, "WASHER 14, POLISHED",2,2,,,,,,,,,,,,,,,,,,,,,  
44,1,,22157-120000,, "WASHER 12",2,2,,,,,,,,,,,,,,,,,,,,,  
45,1,,22217-040000,, "SPRING WASHER 4",10,10,,,,,,,,,,,,,,,,,,,,,  
46,1,,22217-100000,, "SPRING WASHER 10",1,1,,,,,,,,,,,,,,,,,,,,,  
47,1,,22217-100000,, "SPRING WASHER 10",1,1,,,,,,,,,,,,,,,,,,,,,  
48,1,,22217-140000,, "SPRING WASHER 14",2,2,,,,,,,,,,,,,,,,,,,,,  
49,1,,22351-050036,, "SPRING PIN 5X36",3,3,,,,,,,,,,,,,,,,,,,,,  
50,1,,22417-400400,, "COTTER PIN 4.0X40",1,1,,,,,,,,,,,,,,,,,,,,,  
51,1,,24761-020000,, "NIPPLE PT1/8, GREASE",3,3,,,,,,,,,,,,,,,,,,,,,  
52,1,,24761-040000,, "NIPPLE B, GREASE",2,2,,,,,,,,,,,,,,,,,,,,,  
53,1,,24761-050000,, "NIPPLE C, GREASE",2,2,,,,,,,,,,,,,,,,,,,,,  
54,1,,26013-100252,, "BOLT W/WASHER M10X25",2,2,,,,,,,,,,,,,,,,,,,,,  
55,1,,26013-100252,, "BOLT W/WASHER M10X25",1,1,,,,,,,,,,,,,,,,,,,,,  
56,1,,26013-100252,, "BOLT W/WASHER M10X25",3,3,,,,,,,,,,,,,,,,,,,,,  
57,1,,26013-100252,, "BOLT W/WASHER M10X25",2,2,,,,,,,,,,,,,,,,,,,,,  
58,1,,26013-100252,, "BOLT W/WASHER M10X25",1,1,,,,,,,,,,,,,,,,,,,,,  
59,1,,26013-100252,, "BOLT W/WASHER M10X25",1,1,,,,,,,,,,,,,,,,,,,,,  
60,1,,26013-100252,, "BOLT W/WASHER M10X25",2,2,,,,,,,,,,,,,,,,,,,,,  
61,1,,26116-100202,, "BOLT M10X 20 PLATED",1,1,,,,,,,,,,,,,,,,,,,,,  
62,1,,26116-100604,, "BOLT M10X 60 PLATED",1,1,,,,,,,,,,,,,,,,,,,,,  
63,1,,26557-040062,, "SCREW M 4X 6",10,10,,,,,,,,,,,,,,,,,,,,,  
64,1,,26716-100002,, "NUT M10",1,1,,,,,,,,,,,,,,,,,,,,,  
65,1,,26716-140002,, "NUT M14",2,2,,,,,,,,,,,,,,,,,,,,,  
66,1,,26756-140002,, "LOCK NUT M14 PLATED",1,1,,,,,,,,,,,,,,,,,,,,,  
67,1,,26116-100302,, "BOLT M10X 30 PLATED",1,1,,,,,,,,,,,,,,,,,,,,,  
68,1,,26716-100002,, "NUT M10",1,1,,,,,,,,,,,,,,,,,,,,,



1,1,,172141-42820,, "ROD, LINK(L)",2,2,,,,,,,,,,,,,,,,,  
2,1,,172141-42830,, "ROD, LINK(R)",2,2,,,,,,,,,,,,,,,,,  
3,1,,172141-42860,, "ROD, SWING",1,1,,,,,,,,,,,,,,,,,  
4,1,,172141-42870,, "ROD(A), SPOOL",2,2,,,,,,,,,,,,,,,,,  
4-1,1,,172141-42780,, "ROD (A), SPOOL",2,2,,,,,N,,M10687,,M10687,,,,,  
5,1,,172141-42880,, "ROD(B), SPOOL",2,2,,,,,,,,,,,,,,,,,  
6,1,,172141-42890,, "ROD(C), SPOOL",2,2,,,,,,,,,,,,,,,,,  
6-1,1,,172141-42790,, "ROD(C), SPOOL",2,2,,,,,N,,M10687,,M10687,,,,,  
7,1,,172141-42900,, "ROD(P)",1,1,,,,,,,,,,,,,,,,,  
8,1,,172141-42910,, "ROD(D), SPOOL",1,1,,,,,,,,,,,,,,,,,  
8-1,1,,172141-42800,, "ROD(D), SPOOL",1,1,,,,,N,,M10687,,M10687,,,,,  
9,1,,172141-42920,, "SUPPORT, CABLE",1,1,,,,,,,,,,,,,,,,,  
10,1,,172141-42950,, "CABLE, BLADE",1,1,,,,,,,,,,,,,,,,,  
11,1,,172141-42960,, "JOINT, CABLE",1,1,,,,,,,,,,,,,,,,,  
12,1,,172141-42970,, "PIN 6X15",8,8,,,,,,,,,,,,,,,,,  
13,1,,172122-46590,, "ELBALL 8",2,2,,,,,,,,,,,,,,,,,  
14,1,,172122-46590,, "ELBALL 8",2,2,,,,,,,,,,,,,,,,,  
15,1,,172122-46590,, "ELBALL 8",7,7,,,,,,,,,,,,,,,,,  
16,1,,172122-46590,, "ELBALL 8",1,1,,,,,,,,,,,,,,,,,  
17,1,,172122-46590,, "ELBALL 8",1,1,,,,,,,,,,,,,,,,,  
18,1,,172122-46590,, "ELBALL 8",1,1,,,,,,,,,,,,,,,,,  
19,1,,172122-46590,, "ELBALL 8",2,2,,,,,,,,,,,,,,,,,  
20,1,,172122-47250,, "BALL 8, LINK",2,2,,,,,,,,,,,,,,,,,  
21,1,,1C6281-52310,, "PIN 6, COME-OFF SNAP",8,8,,,,,,,,,,,,,,,,,  
22,1,,22217-080000,, "SPRING WASHER 8",16,16,,,,,Z,,M10687,,M10687,,,,,  
23,1,,22217-080000,, "SPRING WASHER 8",2,2,,,,,Z,,M10687,,M10687,,,,,  
24,1,,26013-100202,, "BOLT W/WASHER M10X20",2,2,,,,,,,,,,,,,,,,,  
25,1,,26716-080002,, "NUT M 8",30,30,,,,,,,,,,,,,,,,,  
25-1,1,,26051-080002,, "NUT M 8",30,30,,,,,N,,M10687,,M10687,,,,,  
26,1,,26716-080002,, "NUT M 8",4,4,,,,,,,,,,,,,,,,,  
26-1,1,,26051-080002,, "NUT M 8",4,4,,,,,N,,M10687,,M10687,,,,,  
27,1,,933168-28480,, "WASHER 20X9X3.2",1,1,,,,,,,,,,,,,,,,,  
28,1,,22137-080000,, "WASHER 8, POLISHED",16,16,,,,,W,,M10687,,M10687,,,,,  
29,1,,22137-080000,, "WASHER 8, POLISHED",2,2,,,,,W,,M10687,,M10687,,,,,



Fig. 20 操縦装置 (ロッド) CONTROL EQUIPMENT (ROD)

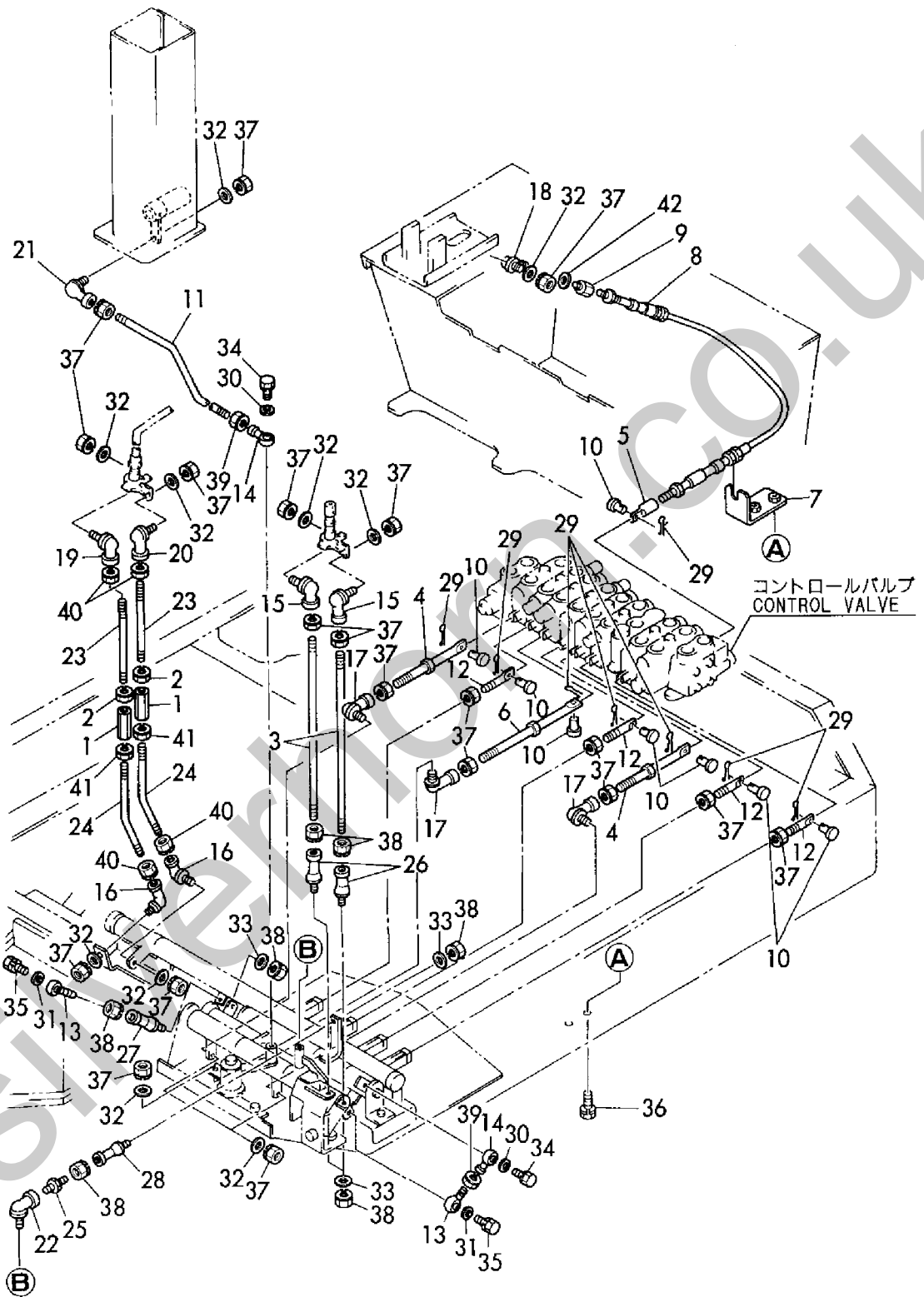


旧形 PREVIOUS	新形 NEW
22	28
23	29
25	25-1
26	26-1

すべての部品が変更されました。  
ALL PARTS OF CHANGED.

1,1,,172730-11440,, "TURNBUCKLE 10",2,2,,,,,,,,,,,,,,,,,,,,,  
2,1,,194150-22480,, "NUT M10",2,2,,,,,,,,,,,,,,,,,,,,,  
3,1,,172141-42820,, "ROD, LINK(L)",2,2,,,,,,,,,,,,,,,,,,,,,  
4,1,,172141-42790,, "ROD(C), SPOOL",2,2,,,,,,,,,,,,,,,,,,,,,  
5,1,,172141-42900,, "ROD(P)",1,1,,,,,,,,,,,,,,,,,,,,,  
6,1,,172141-42800,, "ROD(D), SPOOL",1,1,,,,,,,,,,,,,,,,,,,,,  
7,1,,172141-42920,, "SUPPORT, CABLE",1,1,,,,,,,,,,,,,,,,,,,,,  
8,1,,172141-42950,, "CABLE, BLADE",1,1,,,,,,,,,,,,,,,,,,,,,  
9,1,,172141-42960,, "JOINT, CABLE",1,1,,,,,,,,,,,,,,,,,,,,,  
10,1,,172141-42970,, "PIN 6X15",8,8,,,,,,,,,,,,,,,,,,,,,  
11,1,,172141-43830,, "ROD, SWING",1,1,,,,,,,,,,,,,,,,,,,,,  
12,1,,172141-43840,, "ROD, SPOOL",4,4,,,,,,,,,,,,,,,,,,,,,  
13,1,,172143-45670,, "ROD, END 8",2,2,,,,,,,,,,,,,,,,,,,,,  
14,1,,172122-46571,, "ROD-END 8",2,2,,,,,,,,,,,,,,,,,,,,,  
15,1,,172122-46590,, "ELBALL 8",2,2,,,,,,,,,,,,,,,,,,,,,  
16,1,,172122-46590,, "ELBALL 8",2,2,,,,,,,,,,,,,,,,,,,,,  
17,1,,172122-46590,, "ELBALL 8",3,3,,,,,,,,,,,,,,,,,,,,,  
18,1,,172122-46590,, "ELBALL 8",1,1,,,,,,,,,,,,,,,,,,,,,  
19,1,,172122-46590,, "ELBALL 8",1,1,,,,,,,,,,,,,,,,,,,,,  
20,1,,172122-46590,, "ELBALL 8",1,1,,,,,,,,,,,,,,,,,,,,,  
21,1,,172122-46590,, "ELBALL 8",1,1,,,,,,,,,,,,,,,,,,,,,  
22,1,,172122-46590,, "ELBALL 8",1,1,,,,,,,,,,,,,,,,,,,,,  
23,1,,172148-46700,, "ROD(A), LINK R",2,2,,,,,,,,,,,,,,,,,,,,,  
24,1,,172148-46710,, "ROD(B), LINK R",2,2,,,,,,,,,,,,,,,,,,,,,  
25,1,,172148-46730,, "BOLT M8",1,1,,,,,,,,,,,,,,,,,,,,,  
26,1,,172122-47250,, "BALL 8, LINK",2,2,,,,,,,,,,,,,,,,,,,,,  
27,1,,172122-47250,, "BALL 8, LINK",1,1,,,,,,,,,,,,,,,,,,,,,  
28,1,,172122-47250,, "BALL 8, LINK",1,1,,,,,,,,,,,,,,,,,,,,,  
29,1,,1C6281-52310,, "PIN 6, COME-OFF SNAP",8,8,,,,,,,,,,,,,,,,,,,,,  
30,1,,22137-080000,, "WASHER 8, POLISHED",2,2,,,,,,,,,,,,,,,,,,,,,  
31,1,,22137-080000,, "WASHER 8, POLISHED",2,2,,,,,,,,,,,,,,,,,,,,,  
32,1,,22137-080000,, "WASHER 8, POLISHED",12,12,,,,,,,,,,,,,,,,,,,,,  
33,1,,22137-080000,, "WASHER 8, POLISHED",4,4,,,,,,,,,,,,,,,,,,,,,  
34,1,,26013-080252,, "BOLT M 8X 25",2,2,,,,,,,,,,,,,,,,,,,,,  
35,1,,26013-080252,, "BOLT M 8X 25",2,2,,,,,,,,,,,,,,,,,,,,,  
36,1,,26013-100202,, "BOLT W/WASHER M10X20",2,2,,,,,,,,,,,,,,,,,,,,,  
37,1,,26051-080002,, "NUT M 8",21,21,,,,,,,,,,,,,,,,,,,,,  
38,1,,26051-080002,, "NUT M 8",8,8,,,,,,,,,,,,,,,,,,,,,  
39,1,,26051-080002,, "NUT M 8",2,2,,,,,,,,,,,,,,,,,,,,,  
40,1,,26051-080002,, "NUT M 8",4,4,,,,,,,,,,,,,,,,,,,,,  
41,1,,26716-100002,, "NUT M10",2,2,,,,,,,,,,,,,,,,,,,,,  
42,1,,933168-28480,, "WASHER 20X9X3.2",1,1,,,,,,,,,,,,,,,,,,,,,

Fig. 21 操縦装置 (ロッド) (マルチリンク仕様)  
 CONTROL EQUIPMENT (ROD) (MULTI LINK SPEC.)

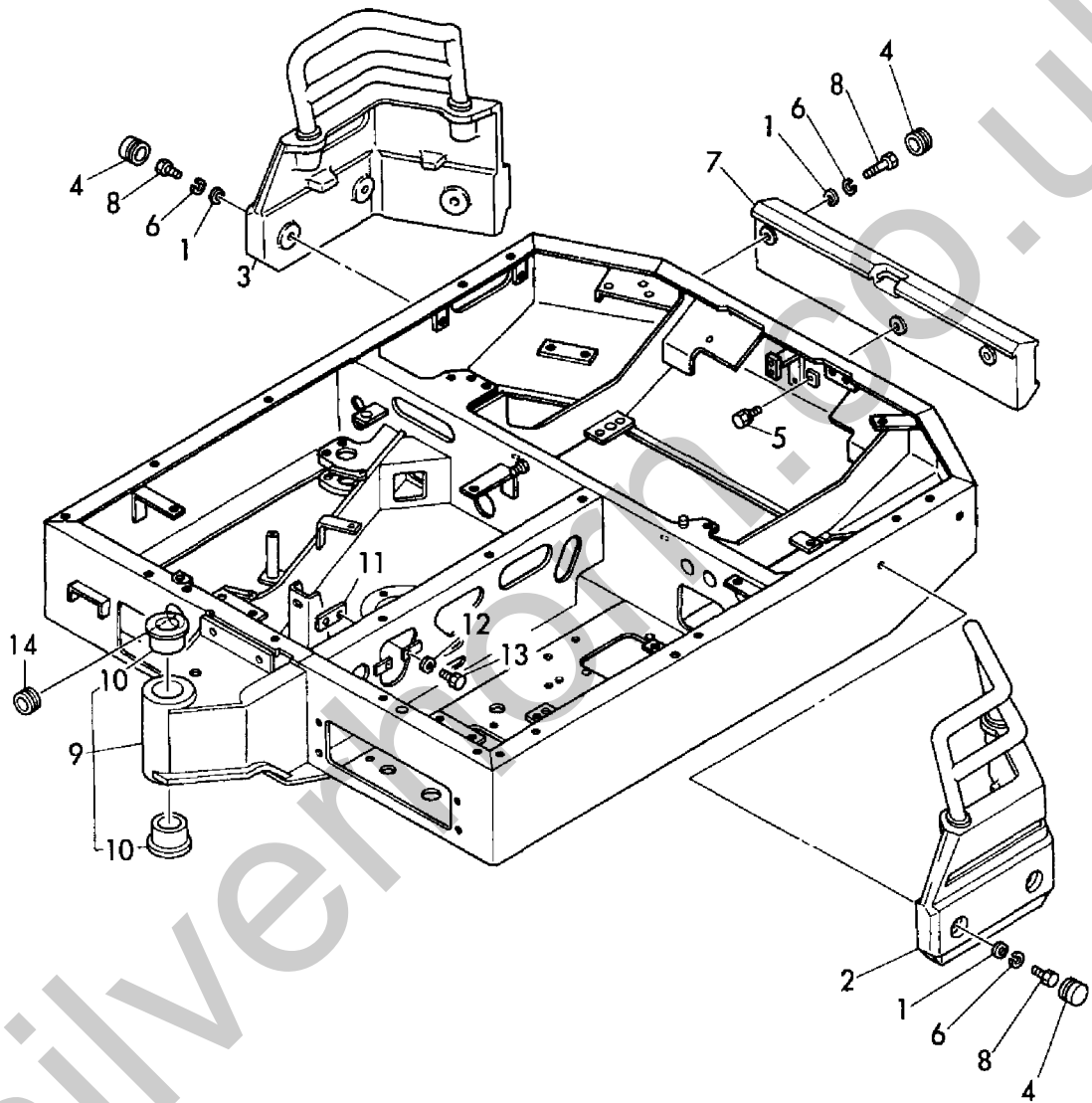




1,1,,172730-05250,, "WASHER 12",8,8,,,,,,,,,,,,,,,,,  
2,1,,172160-53320,, "PROTECTOR, REAR(L)",1,1,,,,,,,,,,,,,,,,,  
3,1,,172160-53350,, "PROTECTOR, REAR(R)",1,1,,,,,,,,,,,,,,,,,  
4,1,,172141-53350,, "GROMMET 26",8,8,,,,,,,,,,,,,,,,,  
5,1,,26013-120352,, "BOLT M12X 35",1,1,,,,,,,,,,,,,,,,,  
6,1,,22217-120000,, "WASHER 12,SPRING",8,8,,,,,,,,,,,,,,,,,  
7,1,,172160-53300,, "WEIGHT. COUNTER",1,1,,,,,,,,,,,,,,,,,  
8,1,,26116-120602,, "BOLT M12X 60 PLATED",8,8,,,,,,,,,,,,,,,,,  
9,1,,172160-54100,, "FRAME, TURNING",1,1,,,,,,,,,,,,,,,,,  
10,2,,172142-54460,, "BUSH 60X65",2,2,,,,,,,,,,,,,,,,,  
11,1,,172160-54380,, "PLATE, BUSH",1,1,,,,,,,,,,,,,,,,,  
12,1,,22217-080000,, "SPRING WASHER 8",2,2,,,,,,,,,,,,,,,,,  
13,1,,26116-080202,, "BOLT M 8X 20 PLATED",2,2,,,,,,,,,,,,,,,,,  
14,1,,1A1380-58050,, "GROMMET 16X20X4.5",1,1,,,,,W,,M00501,,M00501,,,,,

Silverhorn.CO.UK

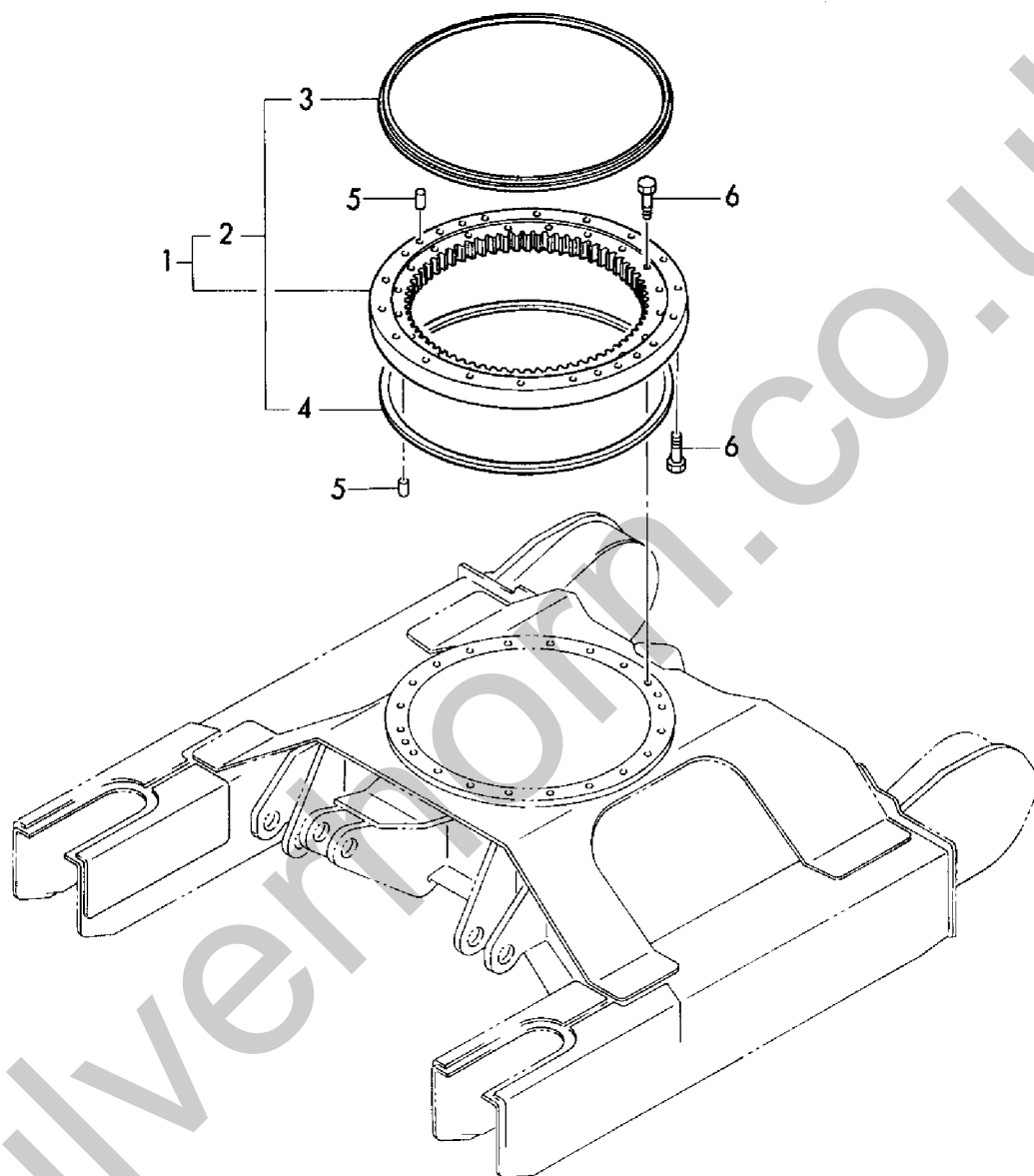
Fig. **22** 旋回フレーム  
TURNING FRAME



1,1,,172141-57600,, "BEARING, SWING",1,1,,,,,,,,,,,,,  
1-1,1,,172141-57601,, "BEARING, SWING",1,1,,,,,R,,M10915,,M10915,,,,,  
2,2,,172141-57610,, "SEAL KIT",1,1,,,,,,,,,,,,,  
3,3,,172141-57620,, "SEAL, UPPER",1,1,,,,,,,,,,,,,  
4,3,,172141-57630,, "SEAL, LOWER",1,1,,,,,,,,,,,,,  
5,1,,194940-24350,, "PIN 10X28, STRAIGHT",4,4,,,,,,,,,,,,,  
6,1,,172141-57650,, "BOLT M12X 55 PLATED",38,38,,,,,,,,,,,,,

Silverhorn.CO.UK

Fig. 23 旋回駆動装置  
TURNING DRIVING GEARS

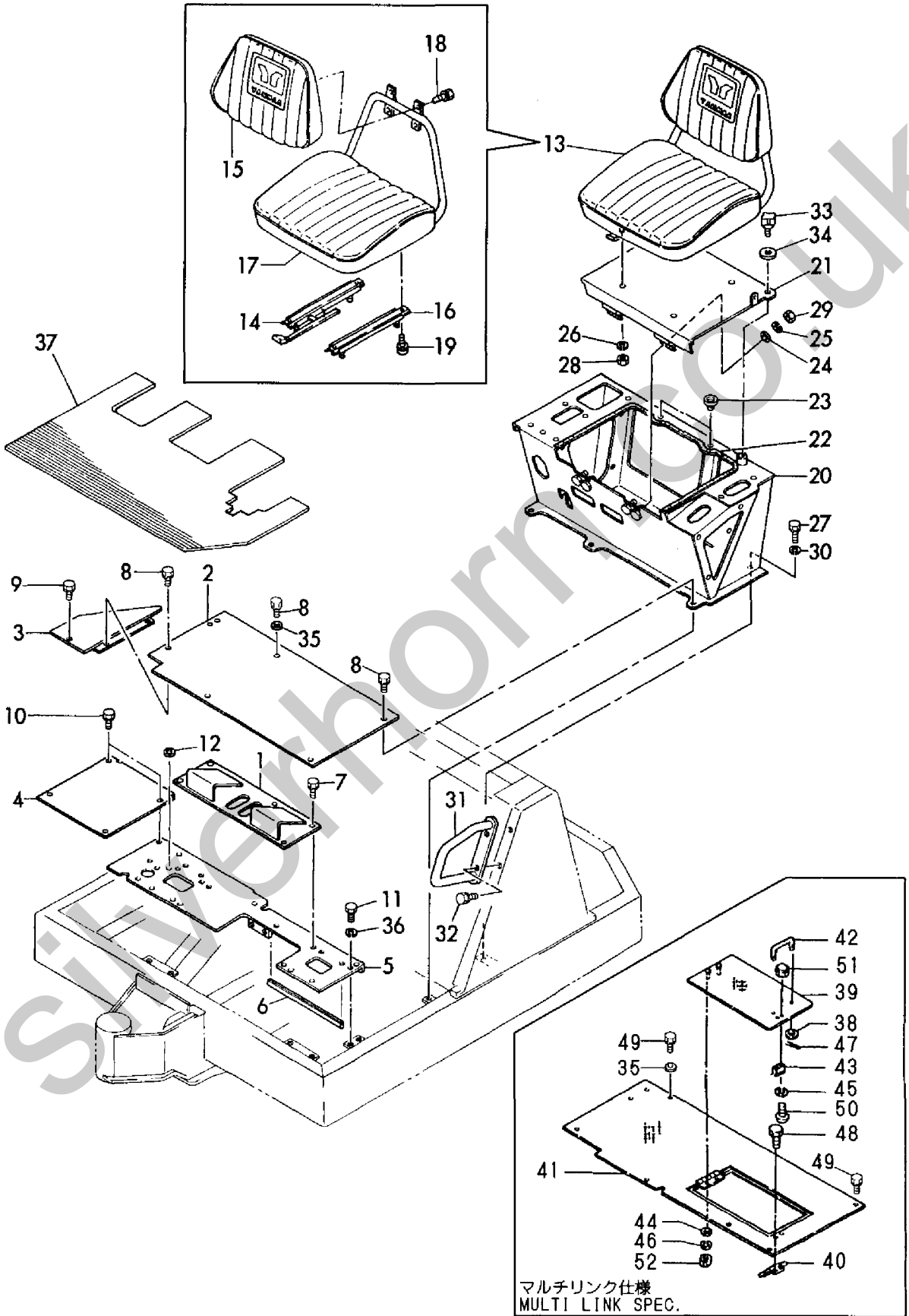


1,1,,172141-05300,, "BOX, TOOL",1,1,,,,,,,,,,,,,,,,,,,,,  
2,1,,26116-100202,, "BOLT M10X 20 PLATED",4,4,,,,,,,,,,,,,,,,,,,,,  
3,1,,172116-46630,, "KNOB, LOCK LEVER",1,1,,,,,,,,,,,,,,,,,,,,,  
4,1,,172141-58800,, "PIN, LOCK",1,1,,,,,,,,,,,,,,,,,,,,,  
5,1,,172141-61100,, "COVER, SEAT MOUNT",1,1,,,,,,,,,,,,,,,,,,,,,  
6,1,,172141-61110,, "COVER, DUCT",,1,,,,,,,,,,,,,,,,,,,,,  
7,1,,172141-61120,, "COVER, 3RD",1,1,,,,,,,,,,,,,,,,,,,,,  
8,1,,26116-080162,, "BOLT M 8X 16 PLATED",3,3,,,,,,,,,,,,,,,,,,,,,  
9,1,,26116-080162,, "BOLT M 8X 16 PLATED",2,2,,,,,,,,,,,,,,,,,,,,,  
10,1,,26116-100202,, "BOLT M10X 20 PLATED",,2,,,,,,,,,,,,,,,,,,,,,  
11,1,,172141-62500,, "COVER, UNDER(L)",1,1,,,,,,,,,,,,,,,,,,,,,  
12,1,,172141-62530,, "COVER, UNDER(R)",1,1,,,,,,,,,,,,,,,,,,,,,  
13,1,,22137-100000,, "WASHER 10,POLISHED",10,10,,,,,,,,,,,,,,,,,,,,,  
14,1,,26116-100202,, "BOLT M10X 20 PLATED",10,10,,,,,,,,,,,,,,,,,,,,,  
15,1,,172160-65200,, COVER(R),1,1,,,,,,,,,,,,,,,,,,,,,  
16,1,,172734-65260,, "PIN, BONNET LEVER",1,1,,,,,,,,,,,,,,,,,,,,,  
17,1,,172734-65270,, "SPRING, CATCH",1,1,,,,,,,,,,,,,,,,,,,,,  
18,1,,172160-65100,, COVER(C),1,1,,,,,,,,,,,,,,,,,,,,,  
19,1,,172124-65450,, "LEVER, LOCK",1,1,,,,,,,,,,,,,,,,,,,,,  
20,1,,172126-65460,, HOOK,1,1,,,,,,,,,,,,,,,,,,,,,  
21,1,,172124-65480,, CATCHER,1,1,,,,,,,,,,,,,,,,,,,,,  
22,1,,172124-65490,, "PLATE,CATCH",1,1,,,,,,,,,,,,,,,,,,,,,  
23,1,,172126-65500,, KEY,1,1,,,,,,,,,,,,,,,,,,,,,  
24,2,,172126-65571,, "WASHER LOCK",1,1,,,,,,,,,,,,,,,,,,,,,  
25,2,,26347-100002,, "U-NUT M10",1,1,,,,,,,,,,,,,,,,,,,,,  
26,1,,172160-65250,, COVER(B),1,1,,,,,,,,,,,,,,,,,,,,,  
27,1,,172142-65650,, "ROD, STOPPER",1,1,,,,,,,,,,,,,,,,,,,,,  
28,1,,172137-65700,, "RUBBER, CUSHION",2,2,,,,,,,,,,,,,,,,,,,,,  
29,1,,172141-65900,, PLATE,1,1,,,,,,,,,,,,,,,,,,,,,  
30,2,,172141-65970,, "RUBBER, PLATE",1,1,,,,,,,,,,,,,,,,,,,,,  
31,2,,172141-65980,, "PLATE, COVER(B)",1,1,,,,,,,,,,,,,,,,,,,,,  
32,1,,22137-100000,, "WASHER 10,POLISHED",2,2,,,,,,,,,,,,,,,,,,,,,  
33,1,,22137-100000,, "WASHER 10,POLISHED",4,4,,,,,,,,,,,,,,,,,,,,,  
34,1,,22137-120000,, "WASHER 12,POLISHED",4,4,,,,,,,,,,,,,,,,,,,,,  
35,1,,22417-200200,, "COTTER PIN 2.0X20",2,2,,,,,,,,,,,,,,,,,,,,,  
36,1,,22417-320200,, "COTTER PIN 3.2X20",4,4,,,,,,,,,,,,,,,,,,,,,  
37,1,,26013-080162,, "BOLT W/WASHER M8X16",2,2,,,,,,,,,,,,,,,,,,,,,  
38,1,,26013-100162,, "BOLT M10X 16",4,4,,,,,,,,,,,,,,,,,,,,,  
39,1,,26013-100252,, "BOLT W/WASHER M10X25",4,4,,,,,,,,,,,,,,,,,,,,,  
40,1,,26013-100252,, "BOLT W/WASHER M10X25",3,3,,,,,,,,,,,,,,,,,,,,,  
41,1,,26013-100252,, "BOLT W/WASHER M10X25",2,2,,,,,,,,,,,,,,,,,,,,,  
42,1,,26013-120452,, "BOLT M12X 45",4,4,,,,,,,,,,,,,,,,,,,,,  
43,1,,933152-02900,, WASHER,2,2,,,,,,,,,,,,,,,,,,,,,  
44,1,,172738-61630,, "RUBBER 150",1,1,,,,,,,,,,,,,,,,,,,,,  
45,1,,22217-100000,, "SPRING WASHER 10",4,4,,,,,,,,,,,,,,,,,,,,,  
46,1,,22217-080000,, "SPRING WASHER 8",3,3,,,,,,,,,,,,,,,,,,,,,  
47,1,,22217-080000,, "SPRING WASHER 8",2,2,,,,,,,,,,,,,,,,,,,,,  
48,1,,22217-100000,, "SPRING WASHER 10",,2,,,,,,,,,,,,,,,,,,,,,  
49,1,,22217-100000,, "SPRING WASHER 10",10,10,,,,,,,,,,,,,,,,,,,,,  
50,1,,22137-100000,, "WASHER 10,POLISHED",3,3,,,,,,,,,,,,,,,,,,,,,  
51,1,,172160-61100,, "COVER, UNDER",1,1,,,,,,,,,,,,,,,,,,,,,  
52,1,,172142-61210,, "GRILLE, FRONT",1,1,,,,,,,,,,,,,,,,,,,,,  
53,1,,22217-100000,, "SPRING WASHER 10",6,6,,,,,,,,,,,,,,,,,,,,,  
54,1,,22217-100000,, "SPRING WASHER 10",4,4,,,,,,,,,,,,,,,,,,,,,  
55,1,,26116-100202,, "BOLT M10X 20 PLATED",6,6,,,,,,,,,,,,,,,,,,,,,  
56,1,,26116-100202,, "BOLT M10X 20 PLATED",4,4,,,,,,,,,,,,,,,,,,,,,



1,1,,172141-62100,, "STEP, FRONT",1,1,,,,,,,,,,,,,,,,,,,,,  
 2,1,,172141-62140,, "STEP(A), CENTER",1,1,,,,,,,,,,,,,,,,,,,,,  
 3,1,,172141-62170,, "STEP(B), CENTER",1,1,,,,,,,,,,,,,,,,,,,,,  
 4,1,,172141-62210,, "STEP, SIDE",1,1,,,,,,,,,,,,,,,,,,,,,  
 5,1,,172141-62250,, "BASE, SUPPORT",1,1,,,,,,,,,,,,,,,,,,,,,  
 6,1,,172141-78790,, RUMMER,1,1,,,,,,,,,,,,,,,,,,,,,  
 7,1,,26013-100202,, "BOLT W/WASHER M10X20",5,5,,,,,,,,,,,,,,,,,,,,,  
 8,1,,26013-100202,, "BOLT W/WASHER M10X20",7,7,,,,,,,,,,,,,,,,,,,,,  
 9,1,,26013-100202,, "BOLT W/WASHER M10X20",1,1,,,,,,,,,,,,,,,,,,,,,  
 10,1,,26013-100202,, "BOLT W/WASHER M10X20",4,4,,,,,,,,,,,,,,,,,,,,,  
 11,1,,26116-100202,, "BOLT M10X 20 PLATED",1,1,,,,,,,,,,,,,,,,,,,,,  
 12,1,,933160-09240,, "GROMMET 9X10.5",1,1,,,,,,,,,,,,,,,,,,,,,  
 13,1,,172116-64101,, "SEAT ASSY",1,1,,,,,,,,,,,,,,,,,,,,,  
 14,2,,172116-64140,, "SLIDER R",1,1,,,,,,,,,,,,,,,,,,,,,  
 15,2,,172116-64181,, "BACK(A), SEAT",1,1,,,,,,,,,,,,,,,,,,,,,  
 16,2,,172116-64190,, "SLIDER L",1,1,,,,,,,,,,,,,,,,,,,,,  
 17,2,,172116-64211,, "CUSHION, SEAT B",1,1,,,,,,,,,,,,,,,,,,,,,  
 18,2,,26013-060162,, "BOLT M 6X 16",4,4,,,,,,,,,,,,,,,,,,,,,  
 19,2,,26022-080162,, "SCREW M 8X 16",4,4,,,,,,,,,,,,,,,,,,,,,  
 20,1,,172141-64200,, "MOUNT, SEAT",1,1,,,,,,,,,,,,,,,,,,,,,  
 21,1,,172141-64300,, "PLATE, SEAT",1,1,,,,,,,,,,,,,,,,,,,,,  
 22,1,,172141-64350,, "SEAL, MOUNT",1,1,,,,,,,,,,,,,,,,,,,,,  
 23,1,,172141-64370,, "CUSHION, SEAT",2,2,,,,,,,,,,,,,,,,,,,,,  
 24,1,,22137-080000,, "WASHER 8, POLISHED",4,4,,,,,,,,,,,,,,,,,,,,,  
 25,1,,22217-080000,, "SPRING WASHER 8",4,4,,,,,,,,,,,,,,,,,,,,,  
 26,1,,22217-080000,, "SPRING WASHER 8",4,4,,,,,,,,,,,,,,,,,,,,,  
 27,1,,26116-100202,, "BOLT M10X 20 PLATED",2,2,,,,,,,,,,,,,,,,,,,,,  
 28,1,,26717-080002,, "NUT 8",4,4,,,,,,,,,,,,,,,,,,,,,  
 29,1,,26717-080002,, "NUT 8",4,4,,,,,,,,,,,,,,,,,,,,,  
 30,1,,22217-100000,, "SPRING WASHER 10",2,2,,,,,,,,,,,,,,,,,,,,,  
 31,1,,172141-68200,, GRIP,,1,,,,,,,,,,,,,,,,,,,,,  
 32,1,,26013-100252,, "BOLT W/WASHER M10X25",2,,,,,,,,,,,,,,,,,,,,,  
 33,1,,26064-080201,, "WING BOLT M 8X 20",1,1,,,,,,,,,,,,,,,,,,,,,  
 34,1,,1A1040-46460,, "WASHER 10X33X4.5",1,1,,,,,,,,,,,,,,,,,,,,,  
 35,1,,22137-100000,, "WASHER 10,POLISHED",1,1,,,,,,,,,,,,,,,,,,,,,  
 36,1,,22217-100000,, "SPRING WASHER 10",1,1,,,,,,,,,,,,,,,,,,,,,  
 37,1,,172141-64400,, "SPRING WASHER 8",1,,,,,,,,,,,,,,,,,,,,,  
 38,1,,22117-100000,, "WASHER 10",2,2,,,,,,,,1,,,,,,,,,,,,,  
 39,1,,172148-62250,, "COVER, STEP",1,1,,,,,,,,1,,,,,,,,,,,,,  
 40,1,,172148-62270,, PIN,1,1,,,,,,,,1,,,,,,,,,,,,,  
 41,1,,172141-62280,, STEP,1,1,,,,,,,,1,,,,,,,,,,,,,  
 42,1,,172148-62300,, HANDLE,1,1,,,,,,,,1,,,,,,,,,,,,,  
 43,1,,1A1040-66000,, "SPRING,STICK LOCK",1,1,,,,,,,,1,,,,,,,,,,,,,  
 44,1,,22137-080000,, "WASHER 8, POLISHED",2,2,,,,,,,,1,,,,,,,,,,,,,  
 45,1,,22217-060000,, "SPRING WASHER 6",2,2,,,,,,,,1,,,,,,,,,,,,,  
 46,1,,22217-080000,, "SPRING WASHER 8",2,2,,,,,,,,1,,,,,,,,,,,,,  
 47,1,,22417-320200,, "COTTER PIN 3.2X20",2,2,,,,,,,,1,,,,,,,,,,,,,  
 48,1,,26013-080202,, "BOLT W/WASHER M8X20",2,2,,,,,,,,1,,,,,,,,,,,,,  
 49,1,,26013-100202,, "BOLT W/WASHER M10X20",8,8,,,,,,,,1,,,,,,,,,,,,,  
 50,1,,26557-060102,, "SCREW M 6X 10",2,2,,,,,,,,1,,,,,,,,,,,,,  
 51,1,,26657-060002,, "CAP NUT M 6",2,2,,,,,,,,1,,,,,,,,,,,,,  
 52,1,,26716-080002,, "NUT M 8",2,2,,,,,,,,1,,,,,,,,,,,,,  
 53,1,,22137-100000,, "WASHER 10,POLISHED",2,2,,,,,,,,1,,,,,,,,,,,,

Fig. 25 シート&ステップ  
SEAT & STEP



マルチリンク仕様  
MULTI LINK SPEC.

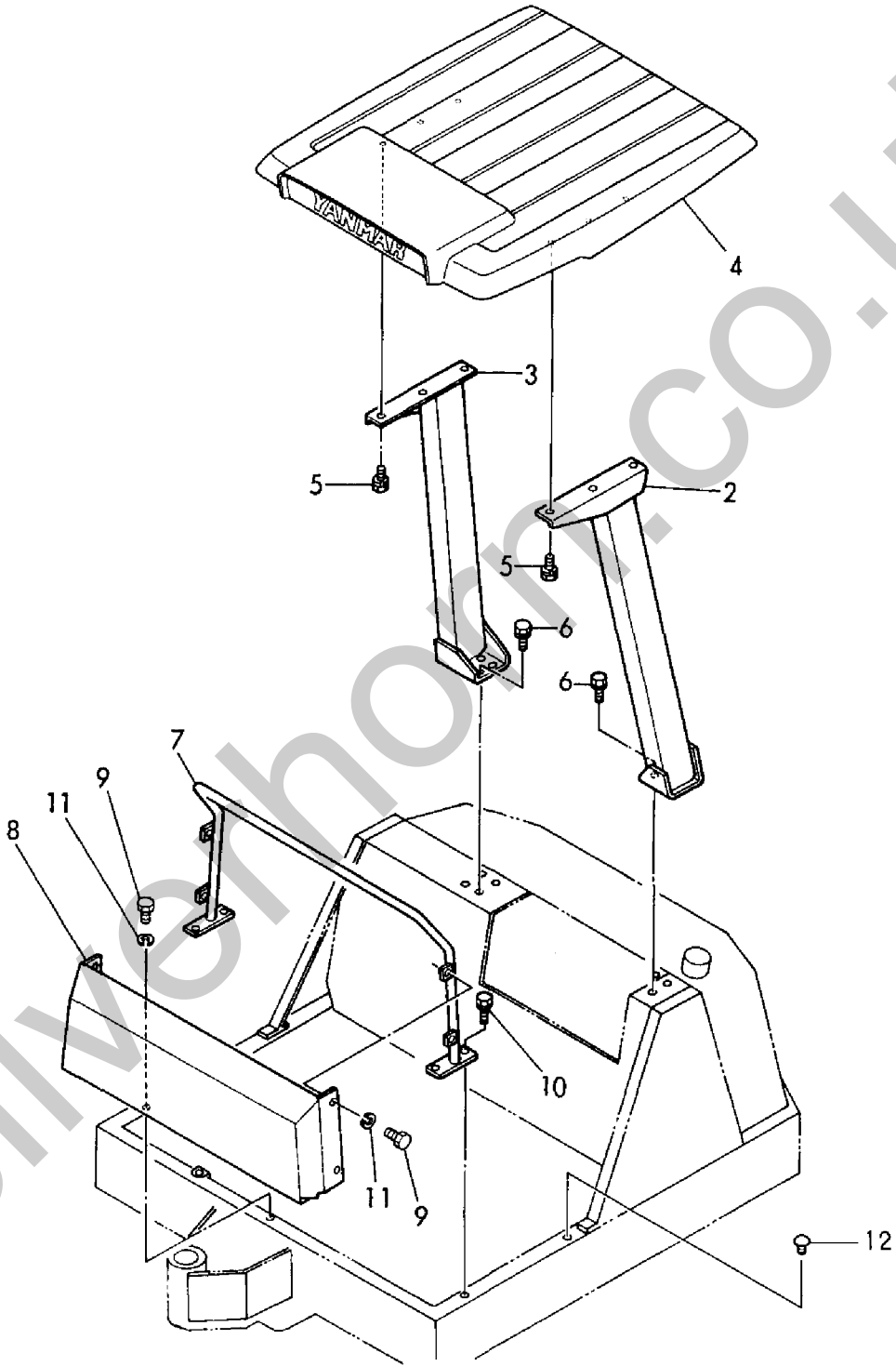


1,1,,772141-68100,, "CANOPY ASSY" ,1,,,,,,,,,,,,,  
2,2,,172141-68110,, "COLUMN(R), CANOPY" ,1,,,,,,,,,,,,,  
3,2,,172141-68120,, "COLUMN(L), CANOPY" ,1,,,,,,,,,,,,,  
4,2,,172134-68200,, "ROOF, CANOPY" ,1,,,,,,,,,,,,,  
4-1,2,,172141-68250,, "ROOF, CANOPY" ,1,,,,,N,,,,,M10501,,,,,  
5,2,,26013-120252,, "BOLT M12X 25" ,6,,,,,,,,,,,,,  
6,2,,26013-120302,, "BOLT W/WASHER M12X30" ,7,,,,,,,,,,,,,  
7,1,,172141-68310,, "CANOPY(F)" ,1,,,,,,,,,,,,,  
8,1,,172141-68360,, "COVER, FRONT" ,1,,,,,,,,,,,,,  
9,1,,26116-100202,, "BOLT M10X 20 PLATED" ,6,,,,,,,,,,,,,  
10,1,,26013-100252,, "BOLT W/WASHER M10X25" ,4,,,,,,,,,,,,,  
11,1,,22217-100000,, "SPRING WASHER 10" ,6,,,,,,,,,,,,,  
12,1,,172141-68270,, "CLIP 8, TREE" ,1,,,,,W,,,,,M10681,,,,,

Silverhorn.CO.UK

Fig. 26 キヤノピ  
CANOPY

見出しNo. 1は、見出しNo. 2から6を含みます。  
1 inc. 2 ~ 6

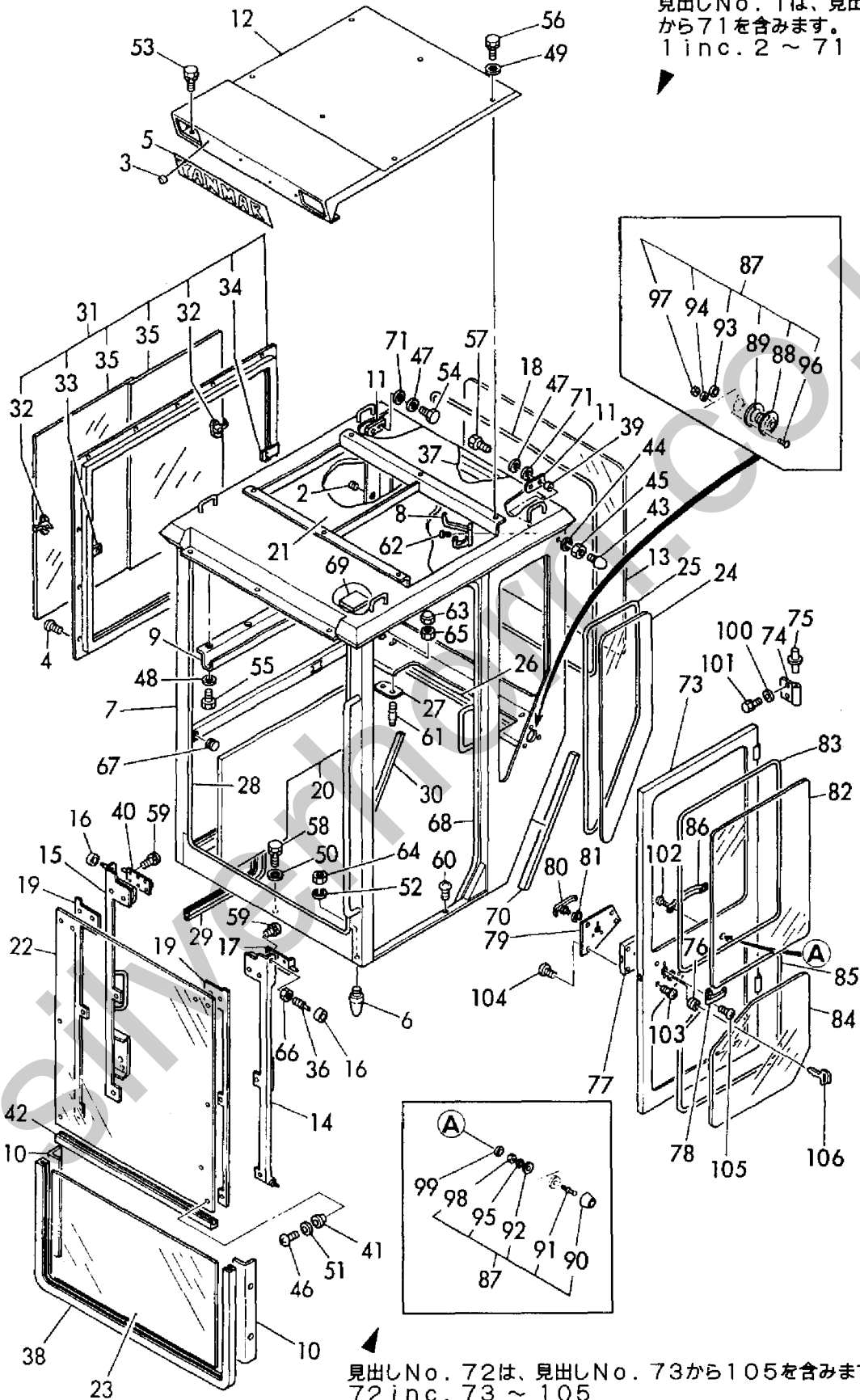


1,1,,772141-68401,, "CABIN ASSY",1,,,,,,,,,,,,,,,,,,,,,  
2,2,,194150-24270,, "SCREW CAP 13",1,,,,,,,,,,,,,,,,,,,,,  
3,2,,194630-28670,, "NUT M 5, PUSH",4,,,,,,,,,,,,,,,,,,,,,  
4,2,,172137-46210,, "SCREW",18,,,,,,,,,,,,,,,,,,,,,  
5,2,,194555-65570,, "MARK (YANMAR)",1,,,,,,,,,,,,,,,,,,,,,  
5-1,2,,172141-68240,, "MARK, (YANMAR)",1,,,,,,N,,,,M10501,,,,,,  
6,2,,172137-68120,, "PIN",1,,,,,,,,,,,,,,,,,,,,,  
7,2,,172141-68401,, "CABIN",1,,,,,,,,,,,,,,,,,,,,,  
8,2,,172119-68590,, "RACK, HAT",1,,,,,,,,,,,,,,,,,,,,,  
9,2,,172141-68881,, "RAIL",1,,,,,,,,,,,,,,,,,,,,,  
10,2,,172141-68910,, "HOLDER(A), GLASS",2,,,,,,,,,,,,,,,,,,,,,  
11,2,,172141-68920,, "PLATE, LOCK",2,,,,,,,,,,,,,,,,,,,,,  
12,2,,172141-68930,, "COVER, LIGHT",1,,,,,,,,,,,,,,,,,,,,,  
13,2,,172135-69190,, "GLASS, REAR",1,,,,,,,,,,,,,,,,,,,,,  
14,2,,172141-69220,, "FRAME(L), GLASS",1,,,,,,,,,,,,,,,,,,,,,  
15,2,,172141-69240,, "FRAME(R), GLASS",1,,,,,,,,,,,,,,,,,,,,,  
16,2,,24104-062004,, "BALL BEARING",4,,,,,,,,,,,,,,,,,,,,,  
17,2,,172137-69270,, "LATCH (L)",1,,,,,,,,,,,,,,,,,,,,,  
18,2,,172135-69290,, "SEAL (D), REAR",1,,,,,,,,,,,,,,,,,,,,,  
19,2,,172141-69300,, "GASKET, FRAME",2,,,,,,,,,,,,,,,,,,,,,  
20,2,,172141-69310,, "TRIM, SIDE",1,,,,,,,,,,,,,,,,,,,,,  
21,2,,172141-69320,, "TRIM, ROOM",1,,,,,,,,,,,,,,,,,,,,,  
22,2,,172141-69350,, "GLASS, FRONT",1,,,,,,,,,,,,,,,,,,,,,  
23,2,,172141-69360,, "GLASS, FRONT LOWER",1,,,,,,,,,,,,,,,,,,,,,  
24,2,,172141-69370,, "GLASS, (L)SIDE",1,,,,,,,,,,,,,,,,,,,,,  
25,2,,172141-69380,, "SEAL, (L)SIDE",1,,,,,,,,,,,,,,,,,,,,,  
26,2,,172141-69450,, "CUSHION RUBBER",1,,,,,,,,,,,,,,,,,,,,,  
27,2,,172141-69470,, "PLATE",2,,,,,,,,,,,,,,,,,,,,,  
28,2,,172141-69500,, "SEAL, FRONT GLASS",1,,,,,,,,,,,,,,,,,,,,,  
29,2,,172141-69510,, "SEAL, SIDE",1,,,,,,,,,,,,,,,,,,,,,  
30,2,,172141-69520,, "SEAL, RESERVER",1,,,,,,,,,,,,,,,,,,,,,  
31,2,,172141-69530,, "WINDOW SASH",1,,,,,,,,,,,,,,,,,,,,,  
32,3,,172122-69350,, "LOCK, WINDOW",2,,,,,,,,,,,,,,,,,,,,,  
33,3,,172122-69360,, "HOLDER(F), LOCK",1,,,,,,,,,,,,,,,,,,,,,  
34,3,,172122-69370,, "HOLDER(R), LOCK",1,,,,,,,,,,,,,,,,,,,,,  
35,3,,172141-69560,, "GLASS",2,,,,,,,,,,,,,,,,,,,,,  
36,2,,172137-69541,, "SHAFT, ROLLER",4,,,,,,,,,,,,,,,,,,,,,  
37,2,,172141-69540,, "CUSHION RUBBER",1,,,,,,,,,,,,,,,,,,,,,  
38,2,,172141-69550,, "RUBBER",1,,,,,,,,,,,,,,,,,,,,,  
39,2,,172112-69570,, "BOSS, LOCK PLATE",1,,,,,,,,,,,,,,,,,,,,,  
40,2,,172137-69570,, "LATCH(R)",1,,,,,,,,,,,,,,,,,,,,,  
41,2,,172137-69651,, "COLLAR, GLASS",8,,,,,,,,,,,,,,,,,,,,,  
42,2,,172137-69740,, "RUBBER",1,,,,,,,,,,,,,,,,,,,,,  
43,2,,172112-69750,, "RUBBER, STOPPER",1,,,,,,,,,,,,,,,,,,,,,  
44,3,,22217-080000,, "SPRING WASHER 8",1,,,,,,,,,,,,,,,,,,,,,  
45,3,,26716-080002,, "NUT M 8",1,,,,,,,,,,,,,,,,,,,,,  
46,2,,172137-69840,, "SCREW",8,,,,,,,,,,,,,,,,,,,,,  
47,2,,22137-080000,, "WASHER 8, POLISHED",3,,,,,,,,,,,,,,,,,,,,,  
48,2,,22137-080000,, "WASHER 8, POLISHED",4,,,,,,,,,,,,,,,,,,,,,  
49,2,,22137-080000,, "WASHER 8, POLISHED",6,,,,,,,,,,,,,,,,,,,,,  
50,2,,22137-100000,, "WASHER 10, POLISHED",4,,,,,,,,,,,,,,,,,,,,,  
51,2,,22157-080000,, "WASHER 8",8,,,,,,,,,,,,,,,,,,,,,  
52,2,,22217-100000,, "SPRING WASHER 10",1,,,,,,,,,,,,,,,,,,,,,  
53,2,,26013-060162,, "BOLT M 6X 16",3,,,,,,,,,,,,,,,,,,,,,  
54,2,,26013-080352,, "BOLT M 8X 35",2,,,,,,,,,,,,,,,,,,,,,  
55,2,,26013-080162,, "BOLT W/WASHER M8X16",4,,,,,,,,,,,,,,,,,,,,,  
56,2,,26013-080162,, "BOLT W/WASHER M8X16",6,,,,,,,,,,,,,,,,,,,,,  
57,2,,26013-080352,, "BOLT M 8X 35",1,,,,,,,,,,,,,,,,,,,,,  
58,2,,26013-100202,, "BOLT W/WASHER M10X20",4,,,,,,,,,,,,,,,,,,,,,  
59,2,,26022-050122,, "SCREW M 5X 12",12,,,,,,,,,,,,,,,,,,,,,  
60,2,,26033-080252,, "SCREW M 8X 25",1,,,,,,,,,,,,,,,,,,,,,  
61,2,,26226-120502,, "STUD M12X 50 PLATED",4,,,,,,,,,,,,,,,,,,,,,  
62,2,,26567-040102,, "SCREW M 4X 10",4,,,,,,,,,,,,,,,,,,,,,

63,2,,26657-120002,, "CAP NUT M12",4,,,,,,,,,,,,,  
64,2,,26716-100002,, "NUT M10",1,,,,,,,,,,,,,  
65,2,,26716-120002,, "NUT M12",4,,,,,,,,,,,,,  
66,2,,26756-140002,, "LOCK NUT M14 PLATED",4,,,,,,,,,,,,,  
67,2,,933171-15680,, "GROMMET 40X13",2,,,,,,,,,,,,,  
68,2,,172137-69681,, "SEAL, DOOR",1,,,,,,,,,,,,,  
69,2,,172135-69710,, RUBBER(B),4,,,,,,,,,,,,,  
70,2,,172141-69460,, SEAL,1,,,,,,,,,,,,,  
71,2,,172149-64480,, "COLLAR 11X21",2,,,,,,,,,,,,,  
72,1,,772141-69100,, "DOOR ASSY, SIDE",1,,,,,,,,,,,,,  
73,2,,172141-69100,, "DOOR, SIDE",1,,,,,,,,,,,,,  
74,2,,172137-66650,, HINGE(B),2,,,,,,,,,,,,,  
75,2,,172122-69390,, HINGE,2,,,,,,,,,,,,,  
76,2,,172137-66230,, GROMMET,1,,,,,,,,,,,,,  
77,2,,172137-66240,, "LOCK, DOOR",1,,,,,,,,,,,,,  
78,2,,172137-69200,, "HANDLE, OUTER",1,,,,,,,,,,,,,  
79,2,,172141-69200,, "COVER, LATCH",1,,,,,,,,,,,,,  
80,2,,172137-69210,, "HANDLE, INNER",1,,,,,,,,,,,,,  
81,2,,172137-69220,, GROMMET,1,,,,,,,,,,,,,  
82,2,,172141-69390,, "GLASS, SIDE DOOR(A)",1,,,,,,,,,,,,,  
83,2,,172141-69400,, "SEAL, SIDE DOOR(A)",1,,,,,,,,,,,,,  
84,2,,172141-69410,, "GLASS, SIDE DOOR(B)",1,,,,,,,,,,,,,  
85,2,,172141-69420,, "SEAL, SIDE DOOR(B)",1,,,,,,,,,,,,,  
86,2,,172122-69620,, "KNOB, DOOR",1,,,,,,,,,,,,,  
87,2,,172117-69630,, "CATCH ASSY, DOOR",1,,,,,,,,,,,,,  
88,3,,172117-69640,, CATCH-FEMALE,1,,,,,,,,,,,,,  
89,3,,172117-69650,, GASKET,1,,,,,,,,,,,,,  
90,3,,172117-69660,, CUSHION,1,,,,,,,,,,,,,  
91,3,,172117-69670,, CATCH-MALE,1,,,,,,,,,,,,,  
92,3,,172117-69680,, WASHER,1,,,,,,,,,,,,,  
93,3,,172117-69690,, "CAP, KNOB",1,,,,,,,,,,,,,  
94,3,,22217-050000,, "SPRING WASHER 5",3,,,,,,,,,,,,,  
95,3,,22217-080000,, "SPRING WASHER 8",1,,,,,,,,,,,,,  
96,3,,26557-050162,, "SCREW M 5X 16",3,,,,,,,,,,,,,  
97,3,,26716-050002,, "NUT M 5",3,,,,,,,,,,,,,  
98,3,,26716-080002,, "NUT M 8",1,,,,,,,,,,,,,  
99,2,,172112-69790,, "PLUG 32X2",1,,,,,,,,,,,,,  
100,2,,22137-100000,, "WASHER 10,POLISHED",4,,,,,,,,,,,,,  
101,2,,26013-100202,, "BOLT W/WASHER M10X20",4,,,,,,,,,,,,,  
102,2,,26022-050202,, "SCREW M 5X 20",4,,,,,,,,,,,,,  
103,2,,26022-060122,, "SCREW M 6X 12",4,,,,,,,,,,,,,  
104,2,,26023-050122,, "SCREW M 5X 12",4,,,,,,,,,,,,,  
105,2,,26577-050162,, "SCREW M 5X 16",2,,,,,,,,,,,,,  
106,1,,933110-00301,, "KEY ASSY",1,,,,,,,,,,,,,

Fig. 27 キャビン CABIN

見出しNo. 1は、見出しNo. 2  
から71を含みます。  
1 inc. 2 ~ 71

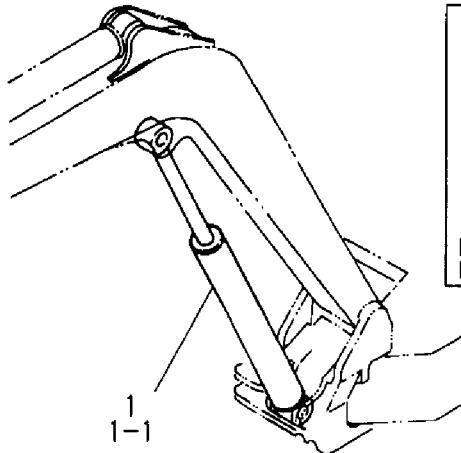


見出しNo. 72は、見出しNo. 73から105を含みます。  
72 inc. 73 ~ 105

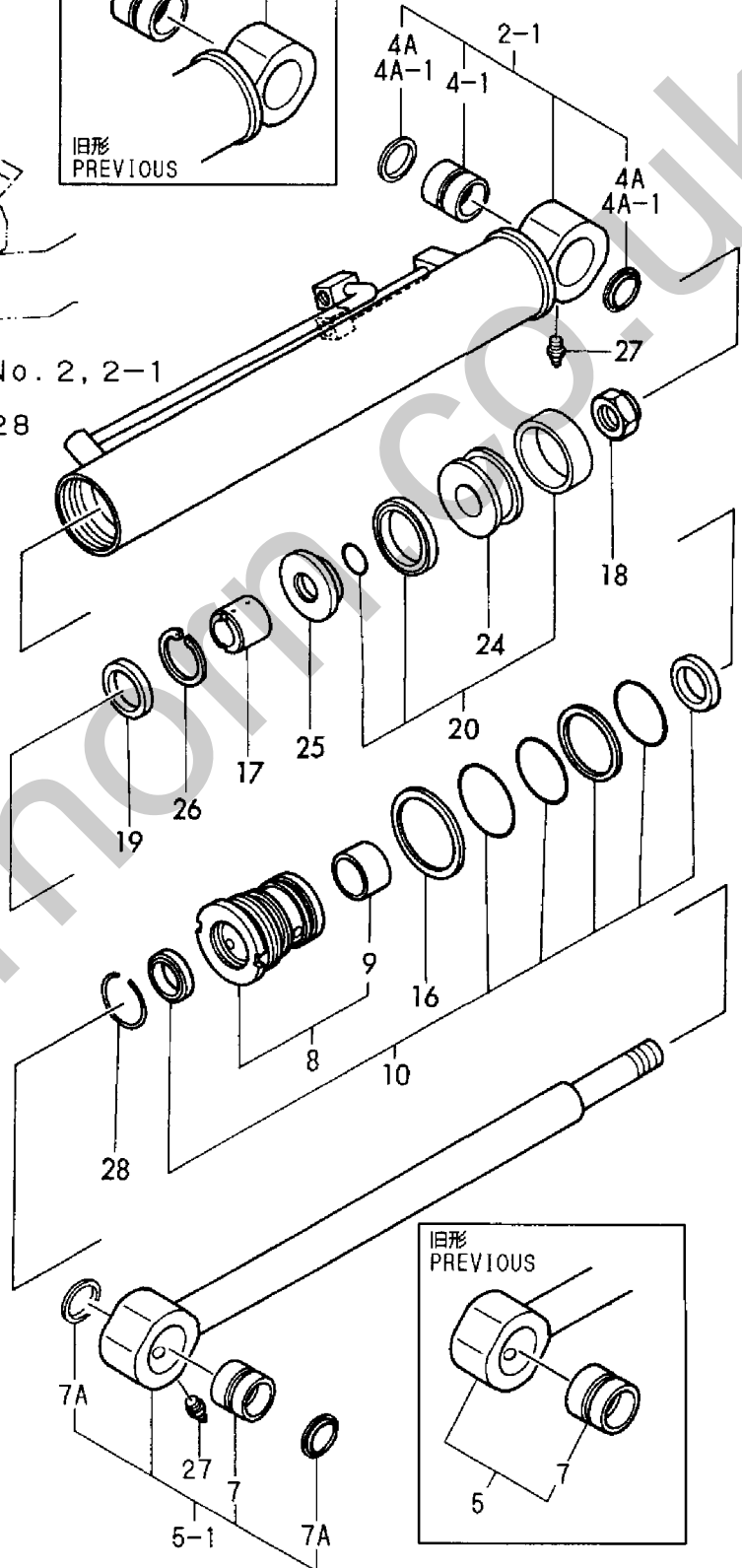
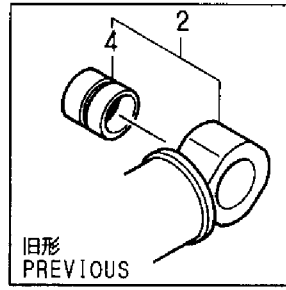
1,1,,172160-72200,, "CYLINDER ASSY, BOOM",1,,,,,,,,,,,,,  
1-1,1,,172160-72201,, "CYLINDER ASSY,BOOM",1,,,,,,N,,M10915,,,,,  
2,2,,772160-72210,, "TUBE W/BUSH, BOOM",1,,,,,,,,,,,,,  
2-1,2,,172160-72211,, "TUBE COMP.,BOOM C",1,,,,,,N,,M10915,,,,,  
4,3,,933125-30000,, "BUSH 45 50",1,,,,,,,,,,,,,  
4-1,3,,172168-72400,, "BUSH 45X55X40",1,,,,,,S,,M10915,,,,,  
4A,3,,933126-44500,, "SEAL VAY45X55X4,DUST",2,,,,,,W,,M10915,,,,,  
4A-1,3,,172168-81410,, "SEAL 45X55X4, DUST",2,,,,,,R,,M10915,,,,,  
5,2,,772160-72190,, "ROD W/BUSH, BOOM",1,,,,,,,,,,,,,  
5-1,2,,172160-72191,, "ROD COMP.,BOOM C",1,,,,,,N,,M10915,,,,,  
7,3,,172143-72330,, "BUSH, 38 50",1,,,,,,,,,,,,,  
7-1,3,,172143-72331,, "BUSH 38 50",1,,,,,,S,,M10915,,,,,  
7A,3,,172168-81270,, "SEAL,DUST 38X50X4",2,,,,,,W,,M10915,,,,,  
8,2,,172141-72140,, "HEAD 75 40",1,,,,,,,,,,,,,  
9,3,,933135-14600,, "BUSH 40 30, ROD",1,,,,,,,,,,,,,  
10,2,,172141-71880,, "SEAL SET, HEAD",1,,,,,,,,,,,,,  
16,2,,172141-72190,, "WASHER 75",1,,,,,,,,,,,,,  
17,2,,172141-72220,, "PLUNGER 44C, CUSHION",1,,,,,,,,,,,,,  
18,2,,172141-72250,, "U-NUT M27",1,,,,,,,,,,,,,  
19,2,,172137-72730,, "RING 44B, CUSHION",1,,,,,,,,,,,,,  
20,2,,172141-71911,, "SEAL SET, PISTON",1,,,,,,,,,,,,,  
24,2,,172141-73051,, "PISTON 75 27 A",1,,,,,,,,,,,,,  
25,2,,172141-73061,, "PISTON 75 27 B",1,,,,,,,,,,,,,  
26,2,,22252-000561,, "CIRCLIP 56",1,,,,,,,,,,,,,  
27,2,,24761-020000,, "NIPPLE PT1/8,GREASE",2,,,,,,,,,,,,,  
28,2,,933111-26600,, "RING 55, SPRING",1,,,,,,,,,,,,,

Silverhorn.CO.UK

Fig. 28 ブームシリンダ (キャビン)  
BOOM CYLINDER (CABIN)



見出しNo. 1, 1-1は、見出しNo. 2, 2-1  
から28を含みます。  
1, 1-1 inc. 2, 2-1 ~ 28



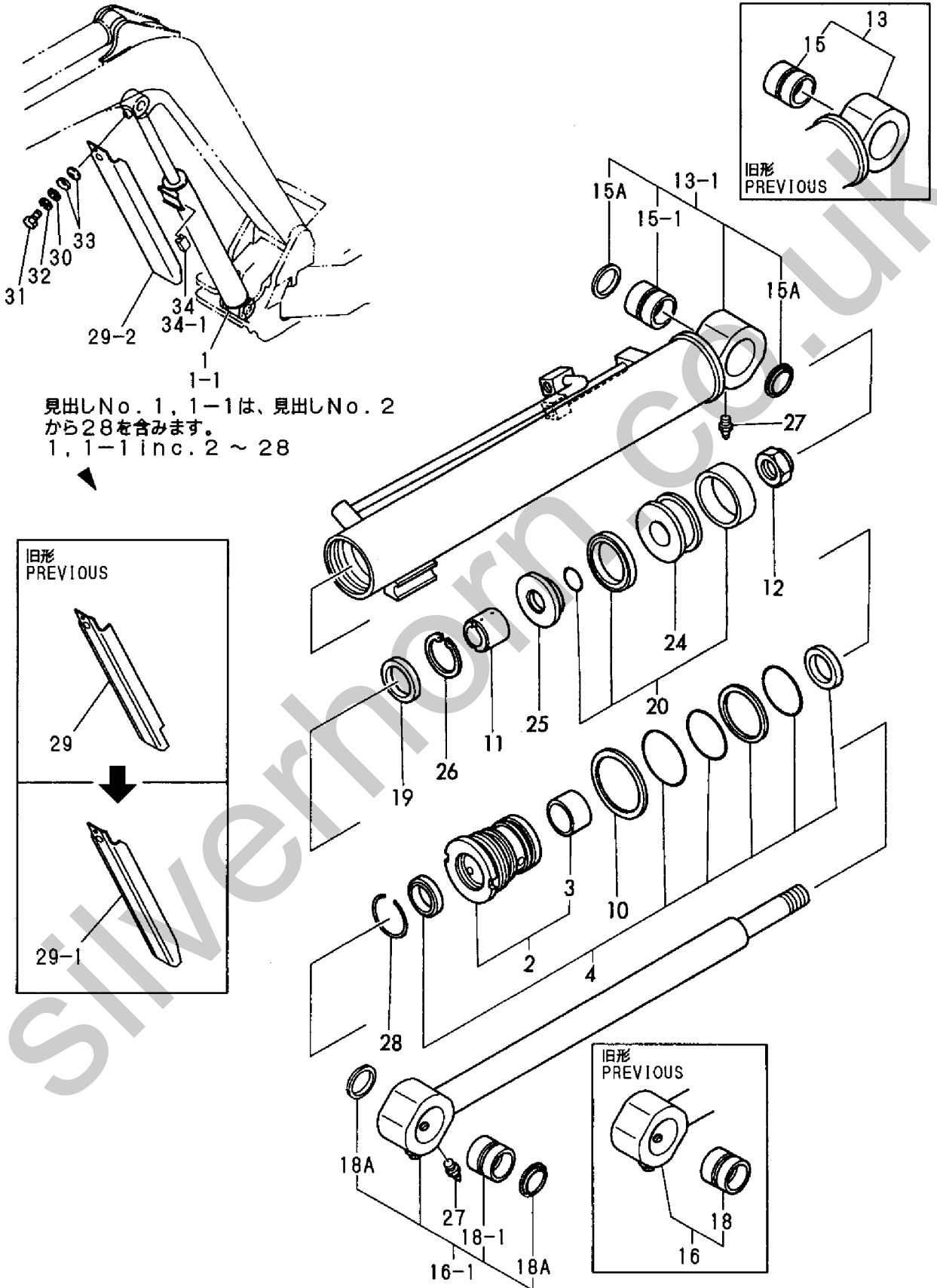
Silver

1,1,,172160-72100,,,"CYLINDER ASSY, BOOM",,1,,,,,,,,,,,,,  
1-1,1,,172160-72101,,,"CYLINDER CMP.,BOOM P",,1,,,,,N,,,,,M10915,,,,,  
2,2,,172141-72140,,,"HEAD 75 40",,1,,,,,,,,,,,,,  
3,3,,933135-14600,,,"BUSH 40 30, ROD",,1,,,,,,,,,,,,,  
4,2,,172141-71880,,,"SEAL SET, HEAD",,1,,,,,,,,,,,,,  
10,2,,172141-72190,,,"WASHER 75",,1,,,,,,,,,,,,,  
11,2,,172141-72220,,,"PLUNGER 44C, CUSHION",,1,,,,,,,,,,,,,  
12,2,,172141-72250,,,"U-NUT M27",,1,,,,,,,,,,,,,  
13,2,,772160-72110,,,"TUBE(Z)W/BUSH, BOOM",,1,,,,,,,,,,,,,  
13-1,2,,172160-72111,,,"TUBE COMP.,BOOM P",,1,,,,,S,,,,,M10915,,,,,  
15,3,,933125-30000,,,"BUSH 45 50",,1,,,,,,,,,,,,,  
15-1,3,,172168-72400,,,"BUSH 45X55X40",,1,,,,,S,,,,,M10915,,,,,  
15A,3,,933126-44500,,,"SEAL VAY45X55X4,DUST",,2,,,,,W,,,,,M10915,,,,,  
15A-1,3,,172168-81410,,,"SEAL 45X55X4, DUST",,2,,,,,R,,,,,M10915,,,,,  
16,2,,172160-72160,,,"ROD W/BUSH, BOOM(Z)",,1,,,,,,,,,,,,,  
16-1,2,,172160-72161,,,"ROD COMP.,BOOM P",,1,,,,,N,,,,,M10915,,,,,  
18,3,,172143-72330,,,"BUSH, 38 50",,1,,,,,,,,,,,,,  
18-1,3,,172143-72331,,,"BUSH 38 50",,1,,,,,S,,,,,M10915,,,,,  
18A,3,,172168-81270,,,"SEAL,DUST 38X50X4",,2,,,,,W,,,,,M10915,,,,,  
19,2,,172137-72730,,,"RING 44B, CUSHION",,1,,,,,,,,,,,,,  
20,2,,172141-71911,,,"SEAL SET, PISTON",,1,,,,,,,,,,,,,  
24,2,,172141-73051,,,"PISTON 75 27 A",,1,,,,,,,,,,,,,  
25,2,,172141-73061,,,"PISTON 75 27 B",,1,,,,,,,,,,,,,  
26,2,,22252-000561,,,"CIRCLIP 56",,1,,,,,,,,,,,,,  
27,2,,24761-020000,,,"NIPPLE PT1/8,GREASE",,2,,,,,,,,,,,,,  
28,2,,933111-26600,,,"RING 55, SPRING",,1,,,,,,,,,,,,,  
29,1,,172160-72450,,,"COVER, SLIDE",,1,,,,,,,,,,,,,  
29-1,1,,172141-72591,,,"COVER, SLIDE",,1,,,,,R,,,,,M00512,,,,,  
29-2,1,,172141-72592,,,"COVER, SLIDE",,1,,,,,S,,,,,M10915,,,,,  
30,1,,933147-03400,,,"WASHER, BRAKE ARM",,1,,,,,,,,,,,,,  
31,1,,26116-100162,,,"BOLT M10X 16 PLATED",,1,,,,,,,,,,,,,  
32,1,,22217-100000,,,"SPRING WASHER 10",,1,,,,,,,,,,,,,  
33,1,,933168-14170,,,"SPRING 16",,2,,,,,,,,,,,,,  
34,1,,172165-72420,,,"GUIDE,SLIDE",,2,,,,,W,,,,,M10915,,,,,  
34-1,1,,172162-61770,,,"GUIDE,SLIDE",,2,,,,,N,,,,,M10915,,,,,





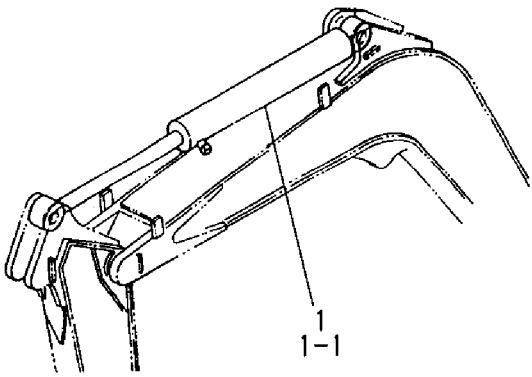
Fig. 29 ブームシリンダ (キャノピ)  
BOOM CYLINDER (CANOPY)



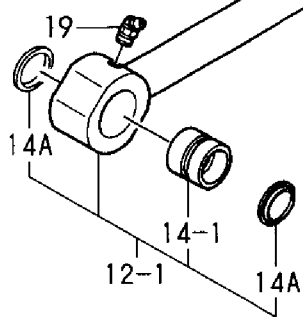
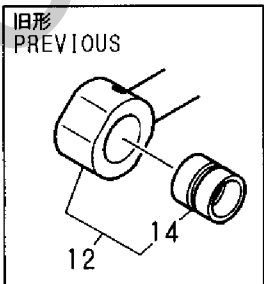
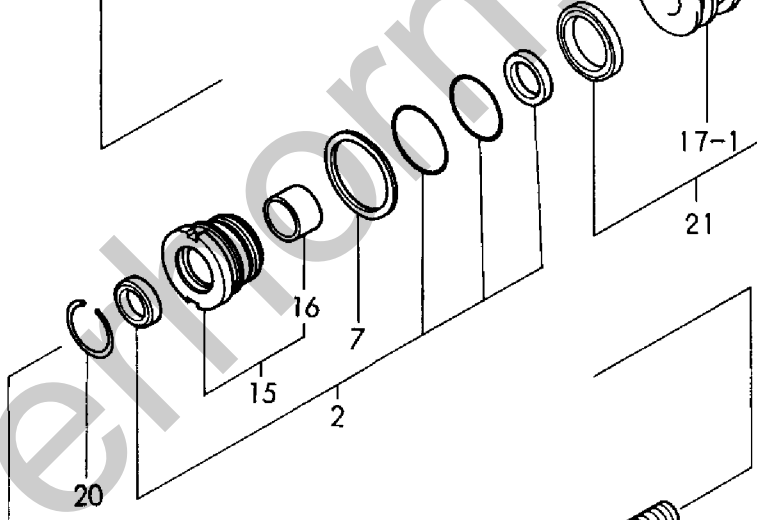
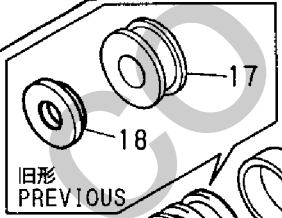
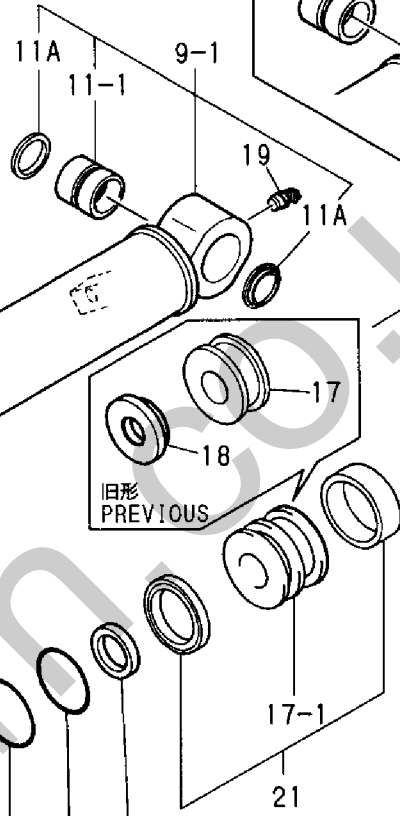
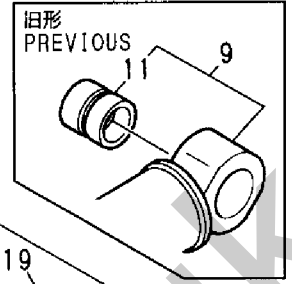
1,1,,172160-72250,, "CYLINDER ASSY, ARM",1,1,,,,,,,,,,,,,  
1-1,1,,172160-72251,, "CYLINDER, ARM",1,1,,,,,N,,M10915,,M10915,,,,,  
2,2,,172141-71890,, "SEAL SET, CYL.HEAD",1,1,,,,,,,,,,,,,  
7,2,,172141-72190,, "WASHER 75",1,1,,,,,,,,,,,,,  
8,2,,172141-72250,, "U-NUT M27",1,1,,,,,,,,,,,,,  
9,2,,772160-72260,, "TUBE W/BUSH, ARM",1,1,,,,,,,,,,,,,  
9-1,2,,172160-72261,, "TUBE COMP.,ARM",1,1,,,,,N,,M10915,,M10915,,,,,  
11,3,,933125-12701,, "BUSH 38 50A",1,1,,,,,,,,,,,,,  
11-1,3,,172171-72150,, "BUSH 38X50X40",1,1,,,,,S,,M10915,,M10915,,,,,  
11A,3,,172168-81270,, "SEAL,DUST 38X50X4",2,2,,,,,W,,M10915,,M10915,,,,,  
12,2,,772160-72280,, "ROD W/BUSH, ARM",1,1,,,,,,,,,,,,,  
12-1,2,,172160-72281,, "ROD COMP.,ARM",1,1,,,,,N,,M10915,,M10915,,,,,  
14,3,,933125-12701,, "BUSH 38 50A",1,1,,,,,,,,,,,,,  
14-1,3,,172171-72150,, "BUSH 38X50X40",1,1,,,,,S,,M10915,,M10915,,,,,  
14A,3,,172168-81270,, "SEAL,DUST 38X50X4",2,2,,,,,W,,M10915,,M10915,,,,,  
15,2,,172141-72690,, "HEAD 75 40 W/BUSH",1,1,,,,,,,,,,,,,  
16,3,,933135-14600,, "BUSH 40 30, ROD",1,1,,,,,,,,,,,,,  
17,2,,172141-73051,, "PISTON 75 27 A",1,1,,,,,,,,,,,,,  
17-1,2,,172175-72470,, "PISTON 75",1,1,,,,,S,,M10915,,M10915,,,,,  
18,2,,172141-73071,, "PISTON 75 27 C",1,1,,,,,Z,,M10915,,M10915,,,,,  
19,2,,24761-040000,, "NIPPLE B,GREASE",2,2,,,,,,,,,,,,,  
20,2,,933111-26600,, "RING 55, SPRING",1,1,,,,,,,,,,,,,  
21,2,,172148-72930,, "SEAL SET, PISTON",1,1,,,,,,,,,,,,,

Silverhorn.CO.UK

Fig. 30 アームシリンダ  
ARM CYLINDER



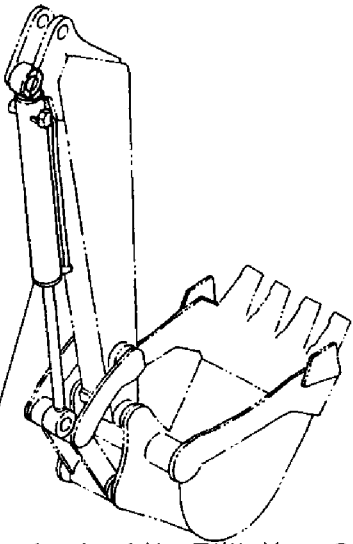
見出しNo. 1, 1-1は、見出しNo. 2  
から21を含みます。  
1, 1-1inc. 2 ~ 21



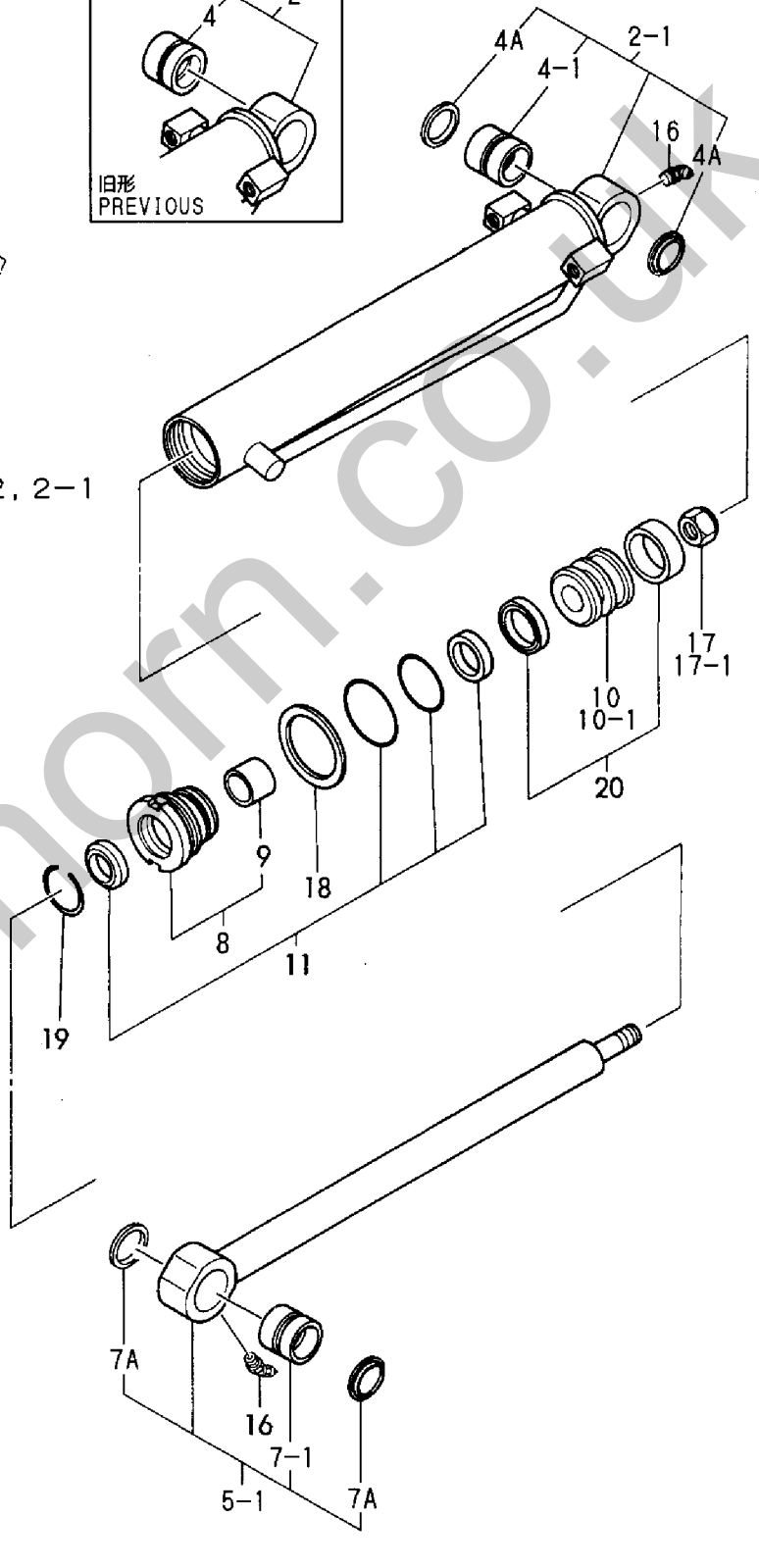
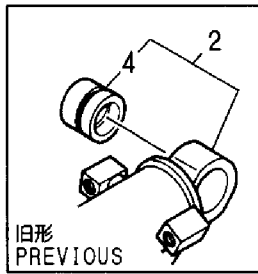
1,1,,172160-72300,, "CYLINDER ASSY, BUCKET",1,1,,,,,,,,,,,,,  
1-1,1,,172160-72301,, "CYLINDER ASSY, BUCKET",1,1,,,,,N,,,M10915,,M10915,,,,,  
2,2,,772160-72310,, "TUBE E/BUSH, BUCKET",1,1,,,,,,,,,,,,,  
2-1,2,,172160-72311,, "TUBE COMP., BUCKET",1,1,,,,,N,,,M10915,,M10915,,,,,  
4,3,,933125-12701,, "BUSH 38 50A",1,1,,,,,,,,,,,,,  
4-1,3,,172168-72240,, "BUSH 38X50X40",1,1,,,,,S,,,M10915,,M10915,,,,,  
4A,3,,172168-81270,, "SEAL,DUST 38X50X4",2,2,,,,,W,,,M10915,,M10915,,,,,  
5,2,,772160-72360,, "ROD W/BUSH, BUCKET",1,1,,,,,,,,,,,,,  
5-1,3,,172160-72361,, "ROD COMP., BUCKET",1,1,,,,,S,,,M10915,,M10915,,,,,  
7,3,,933125-12701,, "BUSH 38 50A",1,1,,,,,,,,,,,,,  
7-1,3,,172168-72240,, "BUSH 38X50X40",1,1,,,,,S,,,M10915,,M10915,,,,,  
7A,3,,172168-81270,, "SEAL,DUST 38X50X4",2,2,,,,,W,,,M10915,,M10915,,,,,  
8,2,,172141-72540,, "HEAD 6035, CYLINDER",1,1,,,,,,,,,,,,,  
9,3,,933111-01600,, "BUSH 35 30, ROD",1,1,,,,,,,,,,,,,  
10,2,,172137-72431,, "PISTON 60G",1,1,,,,,,,,,,,,,  
10-1,2,,172171-72120,, "PISTON",1,1,,,,,S,,,M10915,,M10915,,,,,  
11,2,,172141-71900,, "SEAL SET, HEAD",1,1,,,,,,,,,,,,,  
16,2,,24761-040000,, "NIPPLE B,GREASE",1,1,,,,,,,,,,,,,  
17,2,,172141-72580,, "NUT M20",1,1,,,,,,,,,,,,,  
17-1,2,,172171-72130,, "U-NUT M24",1,1,,,,,S,,,M10915,,M10915,,,,,  
18,2,,933125-59600,, "WASHER 60 B, LOCK",1,1,,,,,,,,,,,,,  
19,2,,172141-73090,, "RING 50, SPRING",1,1,,,,,,,,,,,,,  
20,2,,172137-72452,, "SEAL SET 60A, PISTON",1,1,,,,,,,,,,,,,

Silverhorn.CO.UK

Fig. 31 バケットシリンダ  
BUCKET CYLINDER



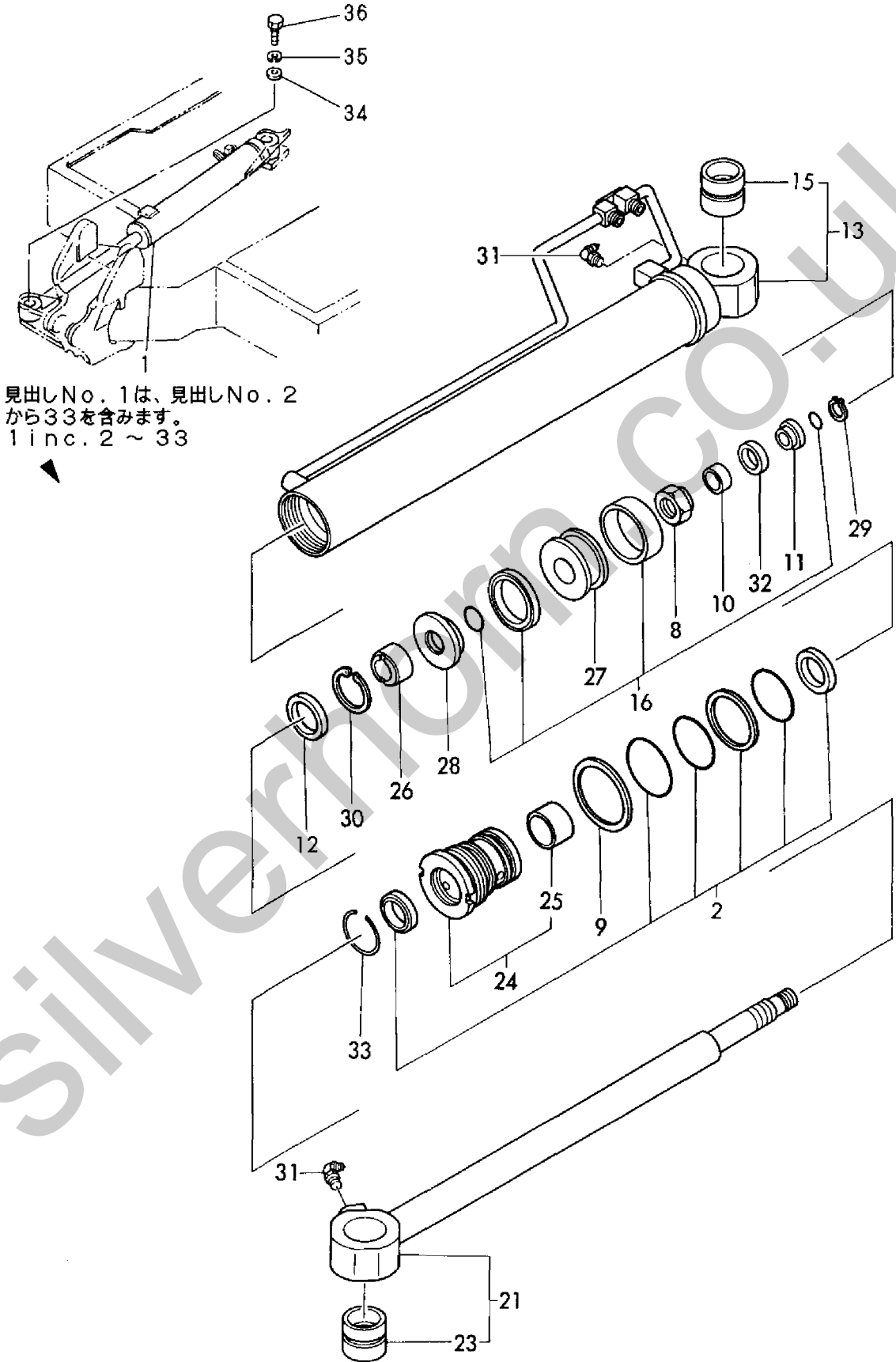
見出しNo. 1, 1-1は、見出しNo. 2, 2-1  
から20を含みます。  
1, 1-1 inc. 2, 2-1 ~ 20



1,1,,172141-72750,, "CYLINDER ASSY, SWING",1,,,,,,,,,,,,,  
2,2,,172141-71880,, "SEAL SET, HEAD",1,,,,,,,,,,,,,  
8,2,,172141-72250,, "U-NUT M27",1,,,,,,,,,,,,,  
9,2,,172141-72190,, "WASHER 75",1,,,,,,,,,,,,,  
10,2,,172137-72710,, "COLLAR 40B, CUSHION",1,,,,,,,,,,,,,  
11,2,,172137-72720,, "COLLAR 40A, CUSHION",1,,,,,,,,,,,,,  
12,2,,172137-72730,, "RING 44B, CUSHION",1,,,,,,,,,,,,,  
13,2,,172141-71870,, "TUBE W/BUSH, SWING",1,,,,,,,,,,,,,  
15,3,,933125-12701,, "BUSH 38 50A",1,,,,,,,,,,,,,  
16,2,,172141-71921,, "SEAL SET,PISTON",1,,,,,,,,,,,,,  
21,2,,172141-71860,, "ROD W/BUSH, SWING",1,,,,,,,,,,,,,  
23,3,,933125-12701,, "BUSH 38 50A",1,,,,,,,,,,,,,  
24,2,,172141-72140,, "HEAD 75 40",1,,,,,,,,,,,,,  
25,3,,933135-14600,, "BUSH 40 30, ROD",1,,,,,,,,,,,,,  
26,2,,172141-72930,, "PLUGER 44, CUSHION",1,,,,,,,,,,,,,  
27,2,,172141-73051,, "PISTON 75 27 A",1,,,,,,,,,,,,,  
28,2,,172141-73061,, "PISTON 75 27 B",1,,,,,,,,,,,,,  
29,2,,172142-72810,, "CIRCLIP 22",1,,,,,,,,,,,,,  
30,2,,22252-000561,, "CIRCLIP 56",1,,,,,,,,,,,,,  
31,2,,24761-050000,, "NIPPLE C,GREASE",2,,,,,,,,,,,,,  
32,2,,172137-72700,, "RING 40A, CUSHION",1,,,,,,,,,,,,,  
33,2,,933111-26600,, "RING 55, SPRING",1,,,,,,,,,,,,,  
34,1,,22157-100000,, "WASHER 10",1,,,,,W,, "FROM 1ST",,,,,,  
35,1,,22217-100000,, "SPRING WASHER 10",1,,,,,W,, "FROM 1ST",,,,,,  
36,1,,26116-100162,, "BOLT M10X 16 PLATED",1,,,,,W,, "FROM 1ST",,,,,,



Fig. 32 スイングシリンダ (キャビン)  
SWING CYLINDER (CABIN)

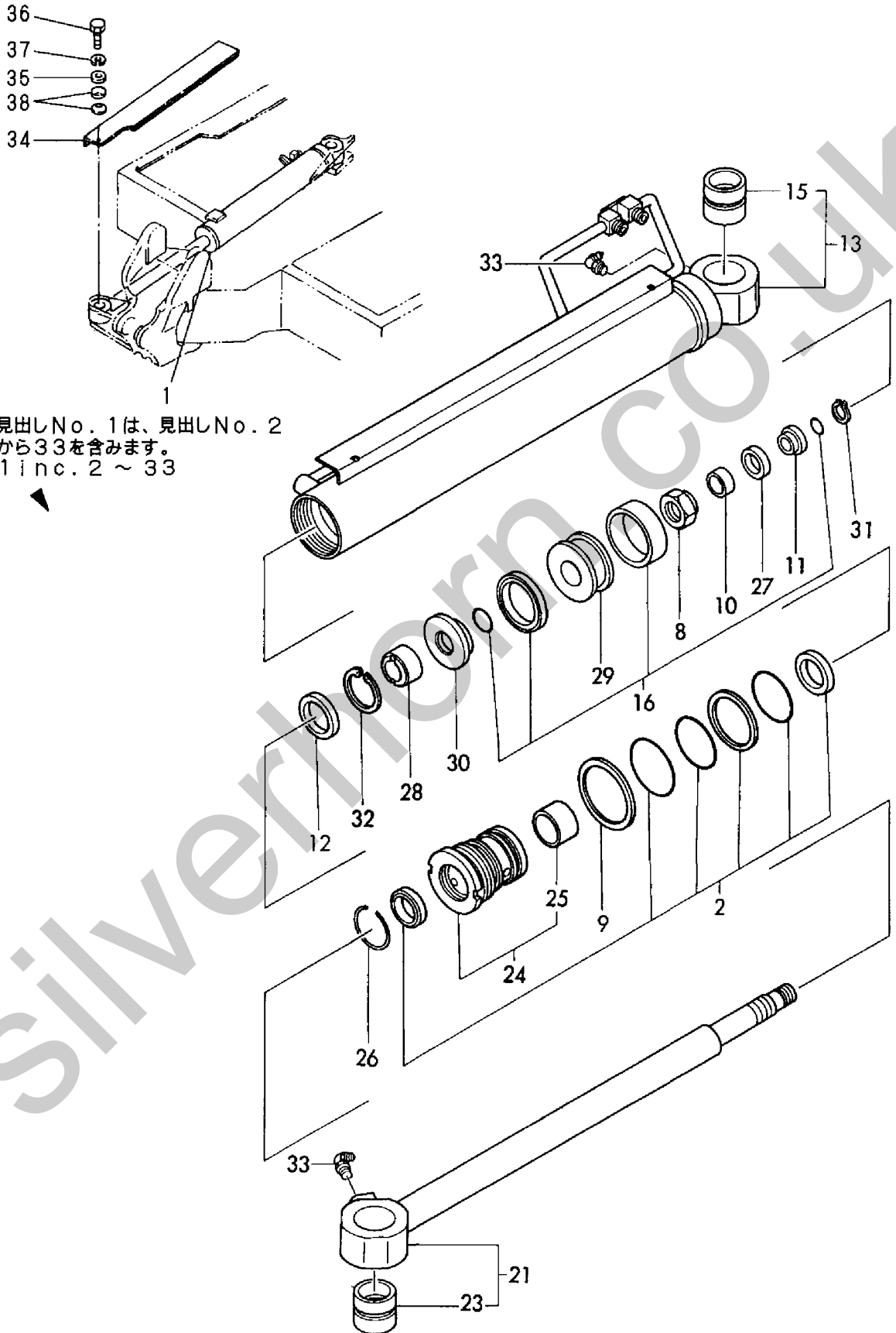


1,1,,172141-72730,, "CYL.ASSY(Z), SWING",,1,,,,,,,,,,,,,  
2,2,,172141-71880,, "SEAL SET, HEAD",,1,,,,,,,,,,,,,  
8,2,,172141-72250,, "U-NUT M27",,1,,,,,,,,,,,,,  
9,2,,172141-72190,, "WASHER 75",,1,,,,,,,,,,,,,  
10,2,,172137-72710,, "COLLAR 40B, CUSHION",,1,,,,,,,,,,,,,  
11,2,,172137-72720,, "COLLAR 40A, CUSHION",,1,,,,,,,,,,,,,  
12,2,,172137-72730,, "RING 44B, CUSHION",,1,,,,,,,,,,,,,  
13,2,,172141-71850,, "TUBE(Z) ASSY, SWING",,1,,,,,,,,,,,,,  
15,3,,933125-12701,, "BUSH 38 50A",,1,,,,,,,,,,,,,  
16,2,,172141-71921,, "SEAL SET,PISTON",,1,,,,,,,,,,,,,  
21,2,,172141-71860,, "ROD W/BUSH, SWING",,1,,,,,,,,,,,,,  
23,3,,933125-12701,, "BUSH 38 50A",,1,,,,,,,,,,,,,  
24,2,,172141-72140,, "HEAD 75 40",,1,,,,,,,,,,,,,  
25,3,,933135-14600,, "BUSH 40 30, ROD",,1,,,,,,,,,,,,,  
26,2,,933111-26600,, "RING 55, SPRING",,1,,,,,,,,,,,,,  
27,2,,172141-72920,, "RING 40, CUSHION",,1,,,,,,,,,,,,,  
28,2,,172141-72930,, "PLUGER 44, CUSHION",,1,,,,,,,,,,,,,  
29,2,,172141-73051,, "PISTON 75 27 A",,1,,,,,,,,,,,,,  
30,2,,172141-73061,, "PISTON 75 27 B",,1,,,,,,,,,,,,,  
31,2,,22242-000220,, "CIRCLIP 22",,1,,,,,,,,,,,,,  
32,2,,22252-000561,, "CIRCLIP 56",,1,,,,,,,,,,,,,  
33,2,,24761-050000,, "NIPPLE C,GREASE",,2,,,,,,,,,,,,,  
34,1,,172141-72880,, "COVER, SWING",,1,,,,,,,,,,,,,  
35,1,,933147-03400,, "WASHER, BRAKE ARM",,1,,,,,,,,,,,,,  
36,1,,26116-100162,, "BOLT M10X 16 PLATED",,1,,,,,,,,,,,,,  
37,1,,22217-100000,, "SPRING WASHER 10",,1,,,,,,,,,,,,,  
38,1,,933168-14170,, "SPRING 16",,2,,,,,,,,,,,,,

Silverhorn.CO.UK



Fig. **33** スイングシリンダ (キャノピ)  
 SWING CYLINDER (CANOPY)

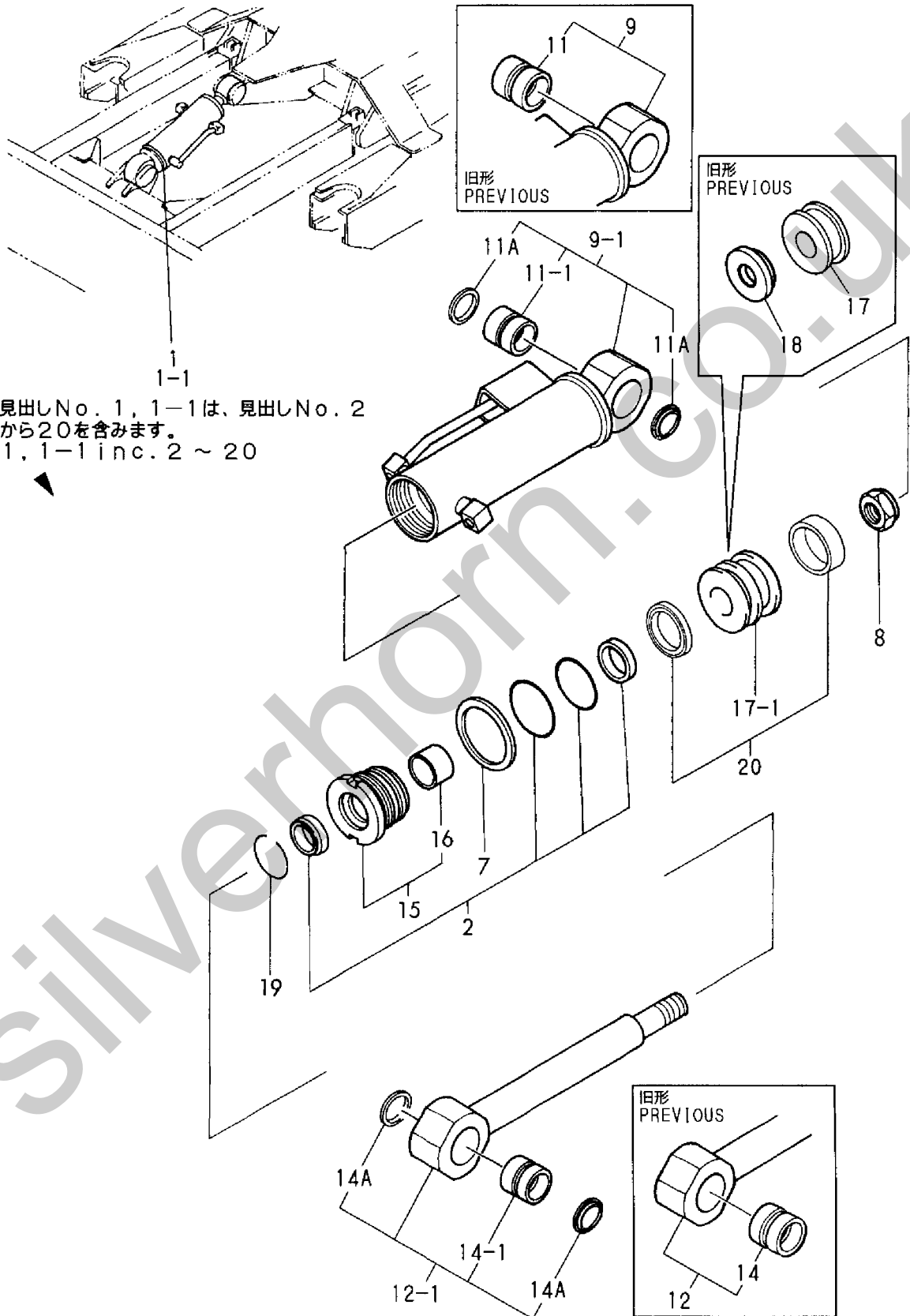


見出しNo. 1は、見出しNo. 2  
 から33を含みます。  
 1 inc. 2 ~ 33

1,1,,172141-72600,, "CYLINDER ASSY, BLADE",1,1,,,,,,,,,,,,,  
1-1,1,,172141-72601,, "CYLINDER ASSY, BLADE",1,1,,,,,N,,,M10915,,M10915,,,,,  
2,2,,172141-71890,, "SEAL SET, CYL.HEAD",1,1,,,,,,,,,,,,,  
7,2,,172141-72190,, "WASHER 75",1,1,,,,,,,,,,,,,  
8,2,,172141-72250,, "U-NUT M27",1,1,,,,,,,,,,,,,  
9,2,,172141-71830,, "TUBE W/BUSH, BLADE",1,1,,,,,,,,,,,,,  
9-1,2,,172141-72611,, "TUBE ASSY, BLADE",1,1,,,,,N,,,M10915,,M10915,,,,,  
11,3,,933125-12701,, "BUSH 38 50A",1,1,,,,,,,,,,,,,  
11-1,3,,172168-72240,, "BUSH 38X50X40",1,1,,,,,S,,,M10915,,M10915,,,,,  
11A,3,,172168-81270,, "SEAL,DUST 38X50X4",2,2,,,,,W,,,M10915,,M10915,,,,,  
12,2,,172141-71840,, "ROD W/BUSH, BLADE",1,1,,,,,,,,,,,,,  
12-1,2,,172141-72671,, "ROD, BLADE",1,1,,,,,N,,,M10915,,M10915,,,,,  
14,3,,933125-12701,, "BUSH 38 50A",1,1,,,,,,,,,,,,,  
14-1,3,,172168-72240,, "BUSH 38X50X40",1,1,,,,,S,,,M10915,,M10915,,,,,  
14A,3,,172168-81270,, "SEAL,DUST 38X50X4",2,2,,,,,W,,,M10915,,M10915,,,,,  
15,2,,172141-72690,, "HEAD 75 40 W/BUSH",1,1,,,,,,,,,,,,,  
16,3,,933135-14600,, "BUSH 40 30, ROD",1,1,,,,,,,,,,,,,  
17,2,,172141-73051,, "PISTON 75 27 A",1,1,,,,,,,,,,,,,  
17-1,2,,172175-72470,, "PISTON 75",1,,,,,S,,,M10915,,M10915,,,,,  
18,2,,172141-73071,, "PISTON 75 27 C",1,1,,,,,Z,,,M10915,,M10915,,,,,  
19,2,,933111-26600,, "RING 55, SPRING",1,1,,,,,,,,,,,,,  
20,2,,172148-72930,, "SEAL SET, PISTON",1,1,,,,,,,,,,,,,



Fig. 34 ブレードシリンダ  
BLADE CYLINDER

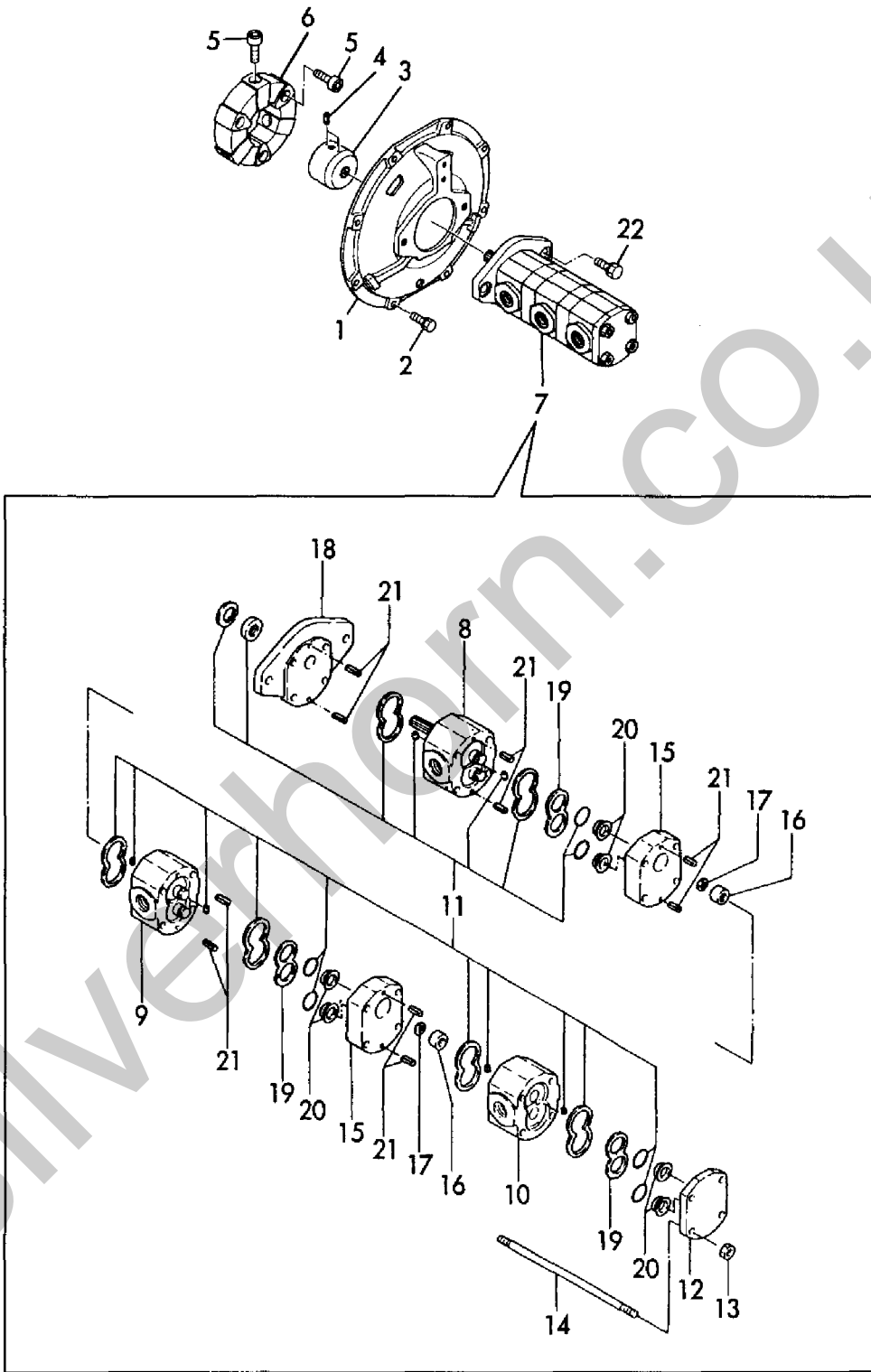


見出しNo. 1, 1-1は、見出しNo. 2  
から20を含みます。  
1, 1-1 inc. 2 ~ 20

1,1,,172141-71100,, "COVER, FLYWHEEL",1,1,,,,,,,,,,,,,  
2,1,,26013-100302,, "BOLT M10X 30",8,8,,,,,,,,,,,,,  
3,1,,172141-71210,, "COUPLING, PUMP",1,1,,,,,,,,,,,,,  
4,1,,22351-050010,, "SPRING PIN 5X10",6,6,,,,,,,,,,,,,  
5,1,,26450-120402,, "BOLT M12X 40",6,6,,,,,,,,,,,,,  
6,1,,933171-23101,, "COUPLING CF16",1,1,,,,,,,,,,,,,  
7,1,,172160-73100,, "PUMP ASSY, HYD.OIL",1,1,,,,,,,,,,,,,  
8,2,,172160-73110,, "PUMP, FRONT",1,1,,,,,,,,,,,,,  
9,2,,172160-73150,, "PUMP, CENTER",1,1,,,,,,,,,,,,,  
10,2,,172141-73130,, "PUMP, REAR",1,1,,,,,,,,,,,,,  
11,2,,172141-73140,, "SEAL SET",1,1,,,,,,,,,,,,,  
12,2,,172141-73150,, "COVER, REAR",1,1,,,,,,,,,,,,,  
13,2,,172141-73160,, "NUT",4,4,,,,,,,,,,,,,  
14,2,,172160-73170,, "STUD",4,4,,,,,,,,,,,,,  
15,2,,172141-73180,, "FRAME",2,2,,,,,,,,,,,,,  
16,2,,172141-73200,, "COUPLING",2,2,,,,,,,,,,,,,  
17,2,,172141-73210,, "CIRCLIP",2,2,,,,,,,,,,,,,  
18,2,,172141-73190,, "FRAME",1,1,,,,,,,,,,,,,  
19,2,,172141-73220,, "PLATE",3,3,,,,,,,,,,,,,  
20,2,,172141-73230,, "GUIDE",6,6,,,,,,,,,,,,,  
21,2,,172141-73240,, "PIN, PARALLEL",10,10,,,,,,,,,,,,,  
22,1,,26013-120352,, "BOLT M12X 35",2,2,,,,,,,,,,,,,

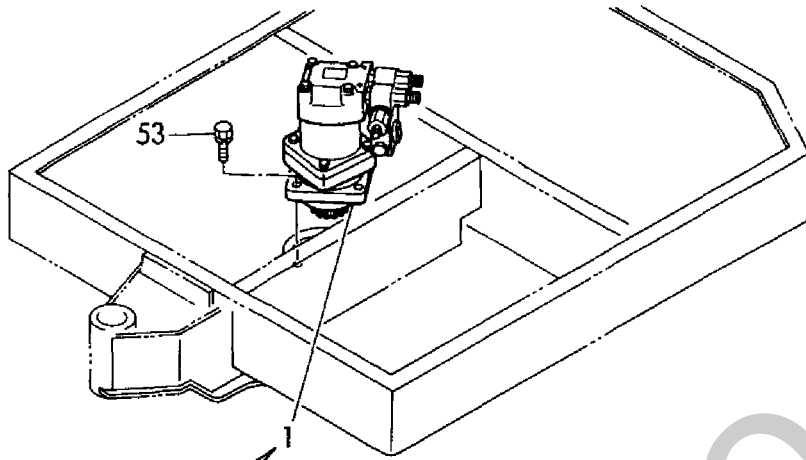
Silverhorn.CO.UK

Fig. **35** 油圧ポンプ&軸継手  
HYD. OIL PUMP & JOINT



1,1,,172141-73300,, "MOTOR ASSY, TURNING",1,1,,,,,,,,,,,,,  
2,2,,172141-77000,, "MOTOR, TURNING",1,1,,,,,,,,,,,,,  
3,3,,172141-77410,, "GEAR ASSY, PINION",1,1,,,,,,,,,,,,,  
4,4,,172141-77010,, "HOUSING, BEARING",1,1,,,,,,,,,,,,,  
5,4,,172141-77030,, "BEARING, ROLLER",1,1,,,,,,,,,,,,,  
6,4,,172141-77040,, "BEARING",1,1,,,,,,,,,,,,,  
7,4,,172141-77050,, "RING, RETAINING",1,1,,,,,,,,,,,,,  
8,4,,172141-77060,, "SPACER, BEARING",1,1,,,,,,,,,,,,,  
9,4,,172141-77070,, "SPACER, BEARING",1,1,,,,,,,,,,,,,  
10,4,,172141-77110,, "BOLT",4,4,,,,,,,,,,,,,  
11,4,,172141-77460,, "GEAR SUB ASSY,PINION",1,1,,,,,,,,,,,,,  
12,4,,172141-77430,, "SEAL SET, PINION",1,1,,,,,,,,,,,,,  
13,3,,172141-77420,, "MOTOR",1,1,,,,,,,,,,,,,  
14,4,,172141-77120,, "PISTON",1,1,,,,,,,,,,,,,  
15,4,,172141-77130,, "POPPET",2,2,,,,,,,,,,,,,  
16,4,,172141-77140,, "SLEEVE",2,2,,,,,,,,,,,,,  
17,4,,172141-77160,, "PLATE, VALVE",1,1,,,,,,,,,,,,,  
18,4,,172141-77180,, "VALVE",1,1,,,,,,,,,,,,,  
19,4,,172141-77190,, "PLATE, BALANCING",1,1,,,,,,,,,,,,,  
20,4,,172141-77200,, "SPRING",2,2,,,,,,,,,,,,,  
21,4,,172141-77220,, "PIN",2,2,,,,,,,,,,,,,  
22,4,,172141-77240,, "DRIVE",1,1,,,,,,,,,,,,,  
23,4,,172141-77250,, "ROLLER",1,1,,,,,,,,,,,,,  
24,4,,172141-77260,, "VALVE DRIVE",1,1,,,,,,,,,,,,,  
25,4,,172141-77270,, "SPRING",2,2,,,,,,,,,,,,,  
26,4,,172141-77280,, "PLUG",2,2,,,,,,,,,,,,,  
27,4,,172141-77310,, "BOLT",4,4,,,,,,,,,,,,,  
28,4,,172141-77340,, "FLANGEMOUTING",1,1,,,,,,,,,,,,,  
29,4,,172141-77380,, "PLUG",2,2,,,,,,,,,,,,,  
30,4,,172141-77390,, "HOUSING, VALVE",1,1,,,,,,,,,,,,,  
31,4,,172141-77400,, "PLUG, BLIND",1,1,,,,,,,,,,,,,  
32,4,,172141-77450,, "SPRING, ORIFICE",1,1,,,,,,,,,,,,,  
33,4,,172141-77440,, "SEAL KIT, MOTOR",1,1,,,,,,,,,,,,,  
34,2,,172141-77500,, "VALVE, BRAKE",1,1,,,,,,,,,,,,,  
35,3,,172141-77510,, "BODY, VALVE",1,1,,,,,,,,,,,,,  
36,3,,172141-77520,, "FILTER",2,2,,,,,,,,,,,,,  
37,3,,172141-77530,, "SEAT, VALVE",2,2,,,,,,,,,,,,,  
38,3,,172141-77540,, "VALVE, NEEDLE",2,2,,,,,,,,,,,,,  
39,3,,172141-77550,, "SEAT, SPRING",2,2,,,,,,,,,,,,,  
40,3,,172141-77560,, "PUSH-ROD, SPRING",2,2,,,,,,,,,,,,,  
41,3,,172141-77570,, "PLUG, ORIFICE",2,2,,,,,,,,,,,,,  
42,3,,172141-77580,, "GASKET",2,2,,,,,,,,,,,,,  
43,3,,172141-77590,, "PLUG, CHECK",2,2,,,,,,,,,,,,,  
44,3,,172141-77600,, "SPRING",2,2,,,,,,,,,,,,,  
45,3,,172141-77610,, "SPRING",2,2,,,,,,,,,,,,,  
46,3,,172141-77620,, "SCREW M 6X 18",2,2,,,,,,,,,,,,,  
47,3,,172141-77650,, "VALVE FITTING",2,2,,,,,,,,,,,,,  
48,3,,172141-77660,, "ADAPTER",2,2,,,,,,,,,,,,,  
49,3,,172141-77670,, "SEAL KIT,BRAKE VALVE",1,1,,,,,,,,,,,,,  
50,3,,26756-060002,, "LOCK NUT M 6 PLATED",2,2,,,,,,,,,,,,,  
51,3,,26657-060002,, "CAP NUT M 6",2,2,,,,,,,,,,,,,  
52,3,,24190-140001,, "BALL 7/16, STEEL",2,2,,,,,,,,,,,,,  
53,1,,26013-120402,, "BOLT M12X 40",4,4,,,,,,,,,,,,,

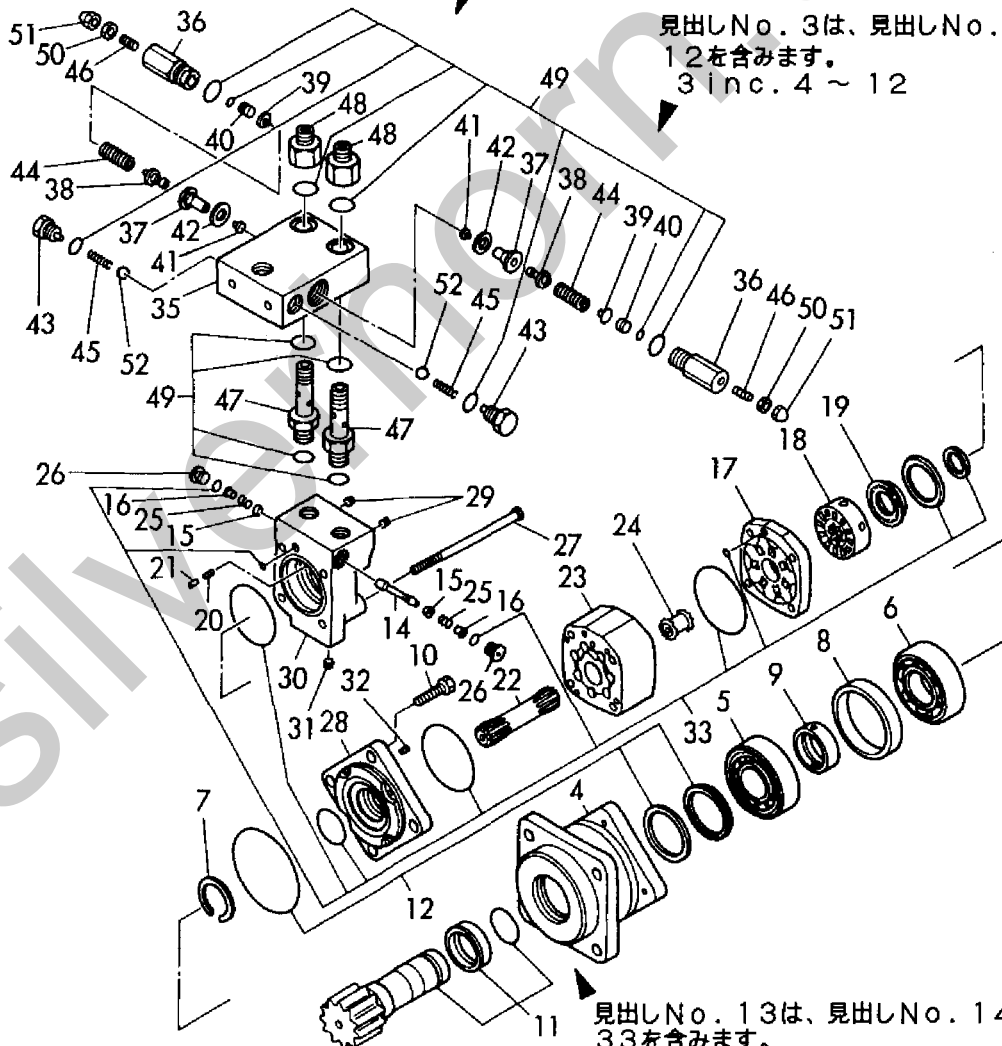
Fig. **36** 旋回モータ  
TURNING MOTOR



見出しNo. 2は、見出しNo. 3から33を含みます。  
2 inc. 3 ~ 33

見出しNo. 34は、見出しNo. 35から52を含みます。  
34 inc. 35 ~ 52

見出しNo. 3は、見出しNo. 4から  
12を含みます。  
3 inc. 4 ~ 12

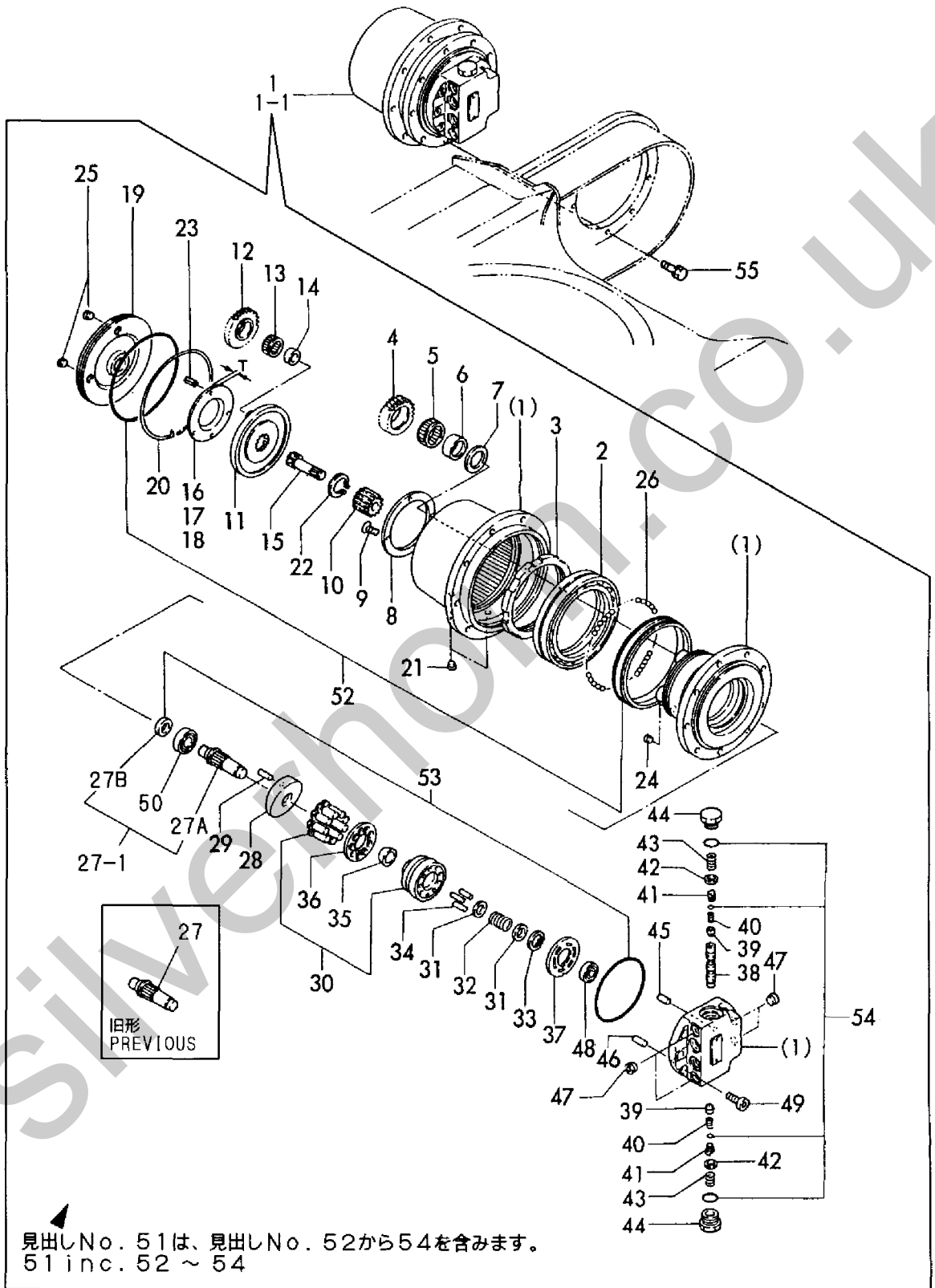


見出しNo. 13は、見出しNo. 14から  
33を含みます。  
13 inc. 14 ~ 33

1,1,,172141-73350,, "MOTOR ASSY, DRIVE",2,2,,,,,,,,,,,,,  
1-1,1,,172141-73351,, "MOTOR ASSY, DRIVE",2,2,,,,,N,,M10915,,M10915,,,,,  
2,2,,172141-70030,, "BEARING, ANGULAR",2,2,,,,,,,,,,,,,  
3,2,,172141-70040,, "NUT, RING",2,2,,,,,,,,,,,,,  
4,2,,172141-70060,, "GEAR(B), PLANETARY",8,8,,,,,,,,,,,,,  
5,2,,172141-70070,, "CAGE & ROLLER",8,8,,,,,,,,,,,,,  
6,2,,172141-70080,, "COLLAR",8,8,,,,,,,,,,,,,  
7,2,,172141-70090,, "WASHER, THRUST",8,8,,,,,,,,,,,,,  
8,2,,172141-70100,, "PLATE, THRUST",2,2,,,,,,,,,,,,,  
9,2,,172141-70110,, "SCREW",8,8,,,,,,,,,,,,,  
10,2,,172141-70120,, "GEAR, SUN",2,2,,,,,,,,,,,,,  
11,2,,172141-70130,, "HOLDER",2,2,,,,,,,,,,,,,  
12,2,,172141-70140,, "GEAR(A), PLANETARY",6,6,,,,,,,,,,,,,  
13,2,,172141-70150,, "CAGE & ROLLER",6,6,,,,,,,,,,,,,  
14,2,,172141-70160,, "INNER LACE",6,6,,,,,,,,,,,,,  
15,2,,172141-70170,, "GEAR, DRIVE",2,2,,,,,,,,,,,,,  
16,2,,172141-70180,, "PLATE(T1.8), THRUST",2,2,,,,,1,,,,,,,,,  
17,2,,172141-70190,, "PLATE(T2.3), THRUST",2,2,,,,,1,,,,,,,,,  
18,2,,172141-70200,, "PLATE(T2.8), THRUST",2,2,,,,,1,,,,,,,,,  
19,2,,172141-70210,, "COVER",2,2,,,,,,,,,,,,,  
20,2,,172141-70230,, "WIRE",2,2,,,,,,,,,,,,,  
21,2,,172122-73430,, "PLUG",4,4,,,,,,,,,,,,,  
22,2,,22242-000350,, "CIRCLIP 35",2,2,,,,,,,,,,,,,  
23,2,,22351-050016,, "SPRING PIN 5X16",6,6,,,,,,,,,,,,,  
24,2,,23871-020000,, "PLUG PT1/4,SCREW",4,4,,,,,,,,,,,,,  
25,2,,23871-030000,, "PLUG PT3/8,SCREW",4,4,,,,,,,,,,,,,  
26,2,,24190-050001,, "BALL 5/32",262,262,,,,,,,,,,,,,  
27,2,,172141-70240,, "SHAFT",2,2,,,,,,,,,,,,,  
27-1,2,,172142-73591,, "SHAFT ASSY",2,2,,,,,R,,M10915,,M10915,,,,,  
27A,3,,172171-70360,, "SHAFT",2,2,,,,,W,,M10915,,M10915,,,,,  
27B,3,,172171-70370,, "SEAL, OIL",2,2,,,,,W,,M10915,,M10915,,,,,  
28,2,,172141-70260,, "PLATE",2,2,,,,,,,,,,,,,  
29,2,,172141-70270,, "PIN",2,2,,,,,,,,,,,,,  
30,2,,172141-70540,, "CYLINDER BLOCK S/A",2,2,,,,,,,,,,,,,  
31,2,,172141-70290,, "HOLDER, SPRING",4,4,,,,,,,,,,,,,  
32,2,,172141-70300,, "SPRING",2,2,,,,,,,,,,,,,  
33,2,,172141-70310,, "SNAP RING",2,2,,,,,,,,,,,,,  
34,2,,172141-70320,, "PIN",6,6,,,,,,,,,,,,,  
35,2,,172141-70330,, "HOLDER, RETAINER",2,2,,,,,,,,,,,,,  
36,2,,172141-70340,, "PLATE, RETAINER",2,2,,,,,,,,,,,,,  
37,2,,172141-70360,, "PLATE, VALVE",2,2,,,,,,,,,,,,,  
38,2,,172141-70400,, "PLUNGER",2,2,,,,,,,,,,,,,  
39,2,,172141-70410,, "VALVE, CHECK",4,4,,,,,,,,,,,,,  
40,2,,172141-70420,, "SPRING",4,4,,,,,,,,,,,,,  
41,2,,172141-70430,, "PLUG",4,4,,,,,,,,,,,,,  
42,2,,172141-70450,, "SEAT, SPRING",4,4,,,,,,,,,,,,,  
43,2,,172141-70460,, "SPRING",4,4,,,,,,,,,,,,,  
44,2,,172141-70470,, "CAP",4,4,,,,,,,,,,,,,  
45,2,,172141-70480,, "PIN",2,2,,,,,,,,,,,,,  
46,2,,172141-70490,, "PIN",4,4,,,,,,,,,,,,,  
47,2,,23871-020000,, "PLUG PT1/4,SCREW",8,8,,,,,,,,,,,,,  
48,2,,24101-060024,, "BALL BEARING",2,2,,,,,,,,,,,,,  
49,2,,26450-080202,, "BOLT M 8X 20",12,12,,,,,,,,,,,,,  
50,2,,24101-060040,, "BALL BEARING",2,2,,,,,,,,,,,,,  
51,2,,172141-70500,, "SEAL ASSY",2,2,,,,,,,,,,,,,  
52,3,,172141-70510,, "SEAL SET, REDUCTION",2,2,,,,,,,,,,,,,  
53,3,,172141-70520,, "SEAL SET, MOTOR",2,2,,,,,,,,,,,,,  
54,3,,172141-70530,, "SEAL SET, BASE PLATE",2,2,,,,,,,,,,,,,  
55,1,,26013-120302,, "BOLT W/WASHER M12X30",18,18,,,,,,,,,,,,,



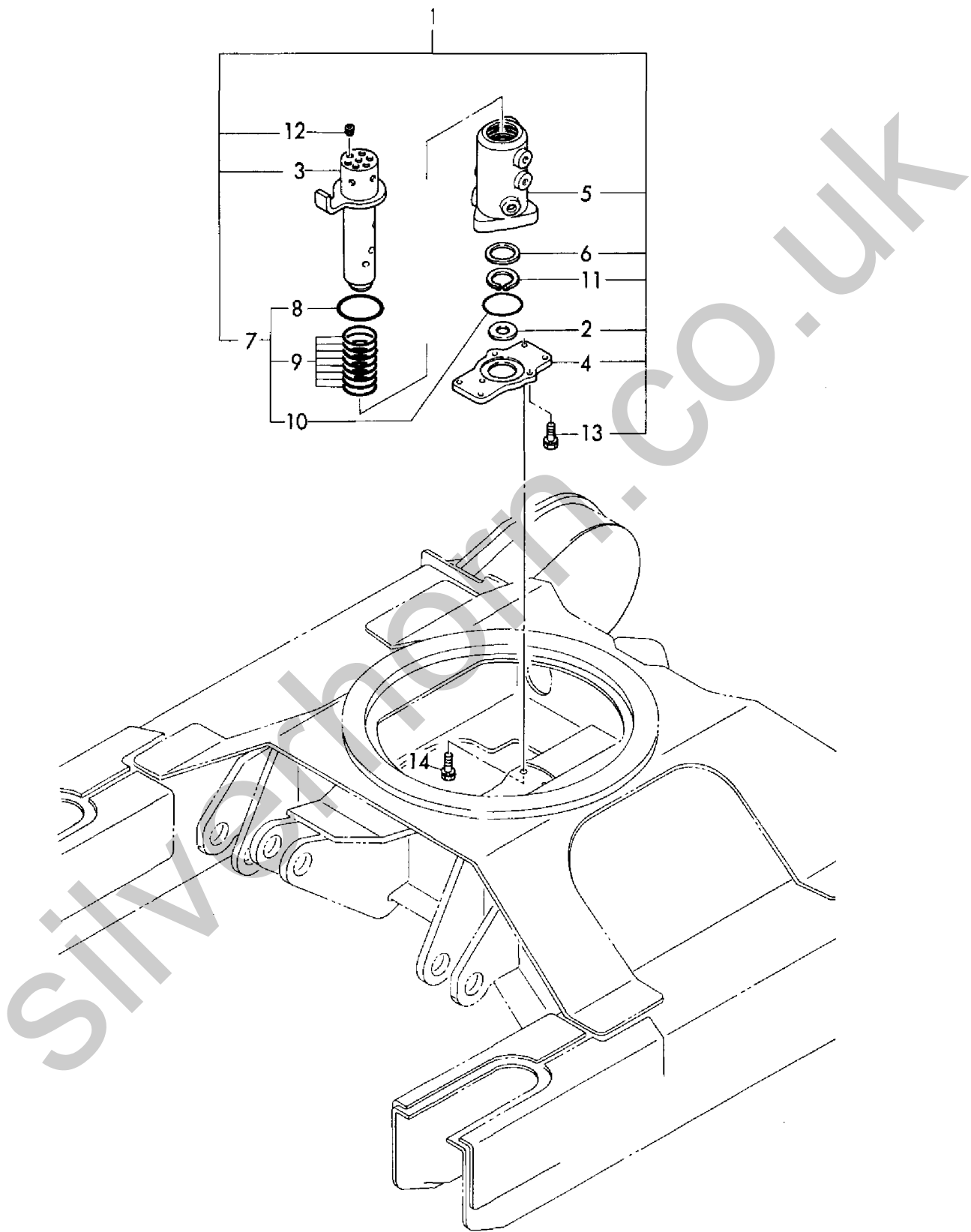
Fig. 37 走行モータ  
TRAVEL MOTOR



1,1,,172141-73800,, "JOINT, SWIVEL",1,1,,,,,,,,,,,,,,,,,  
2,2,,194630-31910,, "LINER 22.5X40X2",1,1,,,,,,,,,,,,,,,,,  
3,2,,172141-73810,, "SHAFT, SWIVEL",1,1,,,,,,,,,,,,,,,,,  
4,2,,172131-73830,, "FLANGE, SWIVEL",1,1,,,,,,,,,,,,,,,,,  
5,2,,172141-73830,, "HUB, SWIVEL",1,1,,,,,,,,,,,,,,,,,  
6,2,,172137-73860,, "SPACER, SWIVEL",1,1,,,,,,,,,,,,,,,,,  
7,2,,172141-73890,, "SEAL SET, SWIVEL",1,1,,,,,,,,,,,,,,,,,  
8,3,,24311-000750,, "O-RING 1A P-75.0",1,1,,,,,,,,,,,,,,,,,  
9,3,,172142-73800,, "O-RING 55.76X5.7",8,8,,,,,,,,,,,,,,,,,  
10,3,,24321-000700,, "O-RING 1A G-70.0",1,1,,,,,,,,,,,,,,,,,  
11,2,,22242-000451,, "CIRCLIP 45",1,1,,,,,,,,,,,,,,,,,  
12,2,,23871-020000,, "PLUG PT1/4, SCREW",6,6,,,,,,,,,,,,,,,,,  
13,2,,26013-100252,, "BOLT W/WASHER M10X25",3,3,,,,,,,,,,,,,,,,,  
14,1,,26013-100302,, "BOLT M10X 30",4,4,,,,,,,,,,,,,,,,,

Silverhorn.CO.UK

Fig. 38 スイベルジョイント  
SWIVEL JOINT



1,1,,172160-74100,, "VALVE ASSY, CONTROL",1,1,,,,,,,,1,,,,,,,,,  
2,1,,172160-74110,, VALVE,1,1,,,,,,,,1,,,,,,,,,  
3,2,,172141-74150,, "BODY ASSY",2,2,,,,,,,,,,,,,,,,,  
6,3,,172141-74350,, COVER,2,2,,,,,,,,,,,,,,,,,  
7,3,,172141-74360,, "SEAT, SPRING",2,2,,,,,,,,,,,,,,,,,  
8,3,,172141-74370,, "SEAT, SPRING",4,4,,,,,,,,,,,,,,,,,  
9,3,,172141-74380,, SPRING,2,2,,,,,,,,,,,,,,,,,  
10,3,,172141-74390,, PLUG,2,2,,,,,,,,,,,,,,,,,  
11,3,,172141-74400,, PLATE,4,4,,,,,,,,,,,,,,,,,  
12,3,,172141-74410,, BOLT,4,4,,,,,,,,,,,,,,,,,  
13,3,,172141-74420,, BOLT,4,4,,,,,,,,,,,,,,,,,  
14,3,,172141-74430,, O-RING,2,2,,,,,,,,,,,,,,,,,  
15,3,,172141-74440,, RING,2,2,,,,,,,,,,,,,,,,,  
16,3,,172141-74450,, RING,2,2,,,,,,,,,,,,,,,,,  
17,3,,172141-74460,, RING,2,2,,,,,,,,,,,,,,,,,  
18,3,,172141-74470,, GASKET,4,4,,,,,,,,,,,,,,,,,  
19,3,,172141-74480,, SHIM,8,8,,,,,,,,,,,,,,,,,  
20,2,,172143-74350,, "BODY ASSY, VALVE",1,1,,,,,,,,,,,,,,,,,  
21,3,,172141-74350,, COVER,1,1,,,,,,,,,,,,,,,,,  
22,3,,172141-74360,, "SEAT, SPRING",1,1,,,,,,,,,,,,,,,,,  
23,3,,172141-74370,, "SEAT, SPRING",2,2,,,,,,,,,,,,,,,,,  
24,3,,172141-74380,, SPRING,1,1,,,,,,,,,,,,,,,,,  
25,3,,172141-74390,, PLUG,1,1,,,,,,,,,,,,,,,,,  
26,3,,172141-74400,, PLATE,2,2,,,,,,,,,,,,,,,,,  
27,3,,172141-74410,, BOLT,2,2,,,,,,,,,,,,,,,,,  
28,3,,172141-74420,, BOLT,2,2,,,,,,,,,,,,,,,,,  
29,3,,172141-74430,, O-RING,1,1,,,,,,,,,,,,,,,,,  
30,3,,172141-74440,, RING,1,1,,,,,,,,,,,,,,,,,  
31,3,,172141-74450,, RING,1,1,,,,,,,,,,,,,,,,,  
32,3,,172141-74460,, RING,1,1,,,,,,,,,,,,,,,,,  
33,3,,172141-74470,, GASKET,2,2,,,,,,,,,,,,,,,,,  
34,3,,172141-74480,, SHIM,4,4,,,,,,,,,,,,,,,,,  
35,3,,172141-74520,, SPRING,1,1,,,,,,,,,,,,,,,,,  
36,3,,172141-74530,, PLANGER,1,1,,,,,,,,,,,,,,,,,

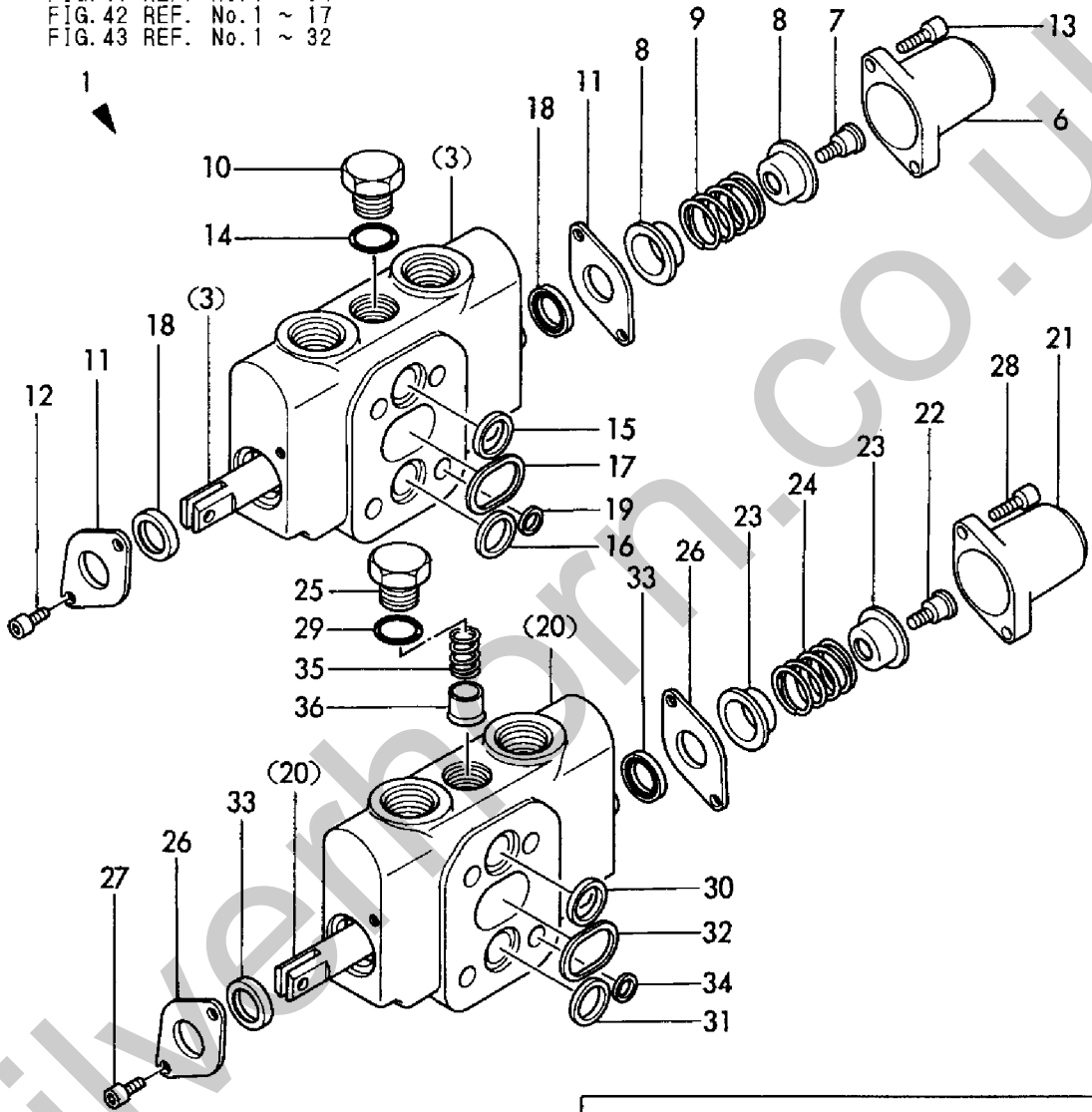


# Fig. 39 コントロールバルブ (走行&旋回) CONTROL VALVE (TRAVEL & TURNING)

コントロールバルブ ASSY  
CONTROL VALVE ASSY  
(172160-74100)

FIG. 39 REF. No. 1  
INC. FIG. 39 REF. No. 3 ~ 36  
FIG. 40 REF. No. 1 ~ 48  
FIG. 41 REF. No. 1 ~ 54  
FIG. 42 REF. No. 1 ~ 17  
FIG. 43 REF. No. 1 ~ 32

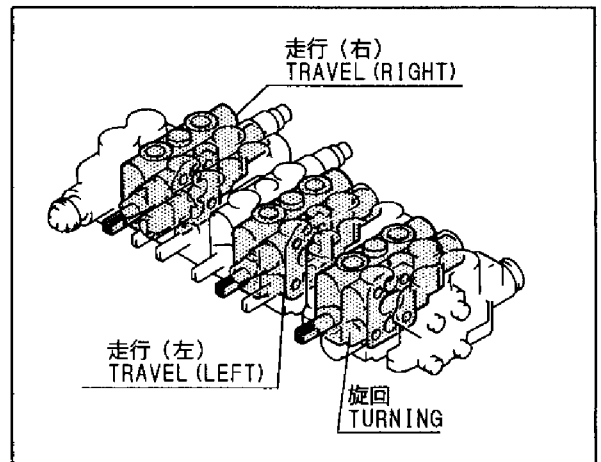
見出し No. 3 は、見出し No. 6 から 19 を含みます。  
3 inc. 6 ~ 19



見出し No. 20 は、見出し No. 21 から 36 を含みます。  
20 inc. 21 ~ 36

コントロールバルブ ASSY  
CONTROL VALVE ASSY  
(172160-74110)

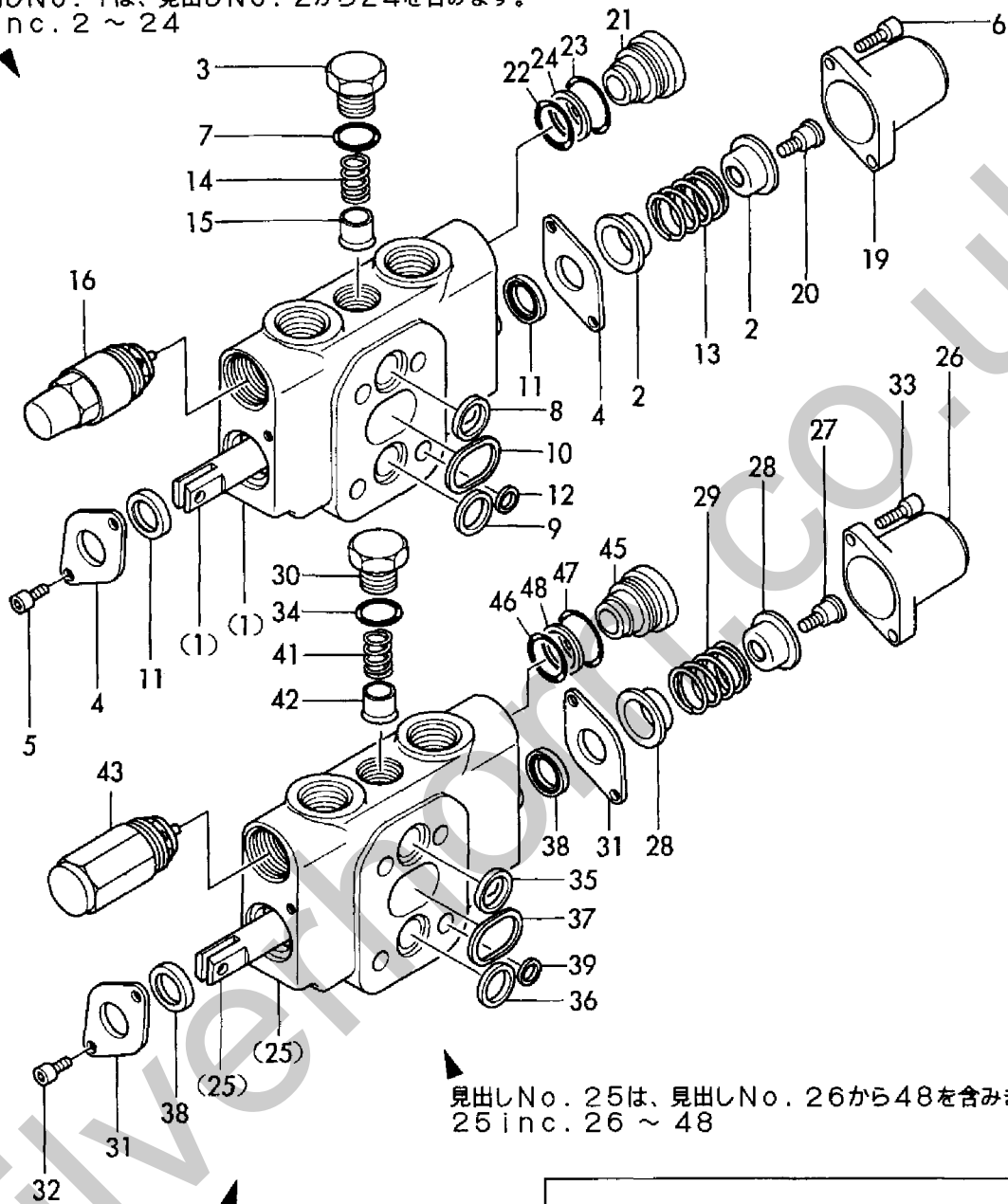
FIG. 39 REF. No. 2  
INC. FIG. 39 REF. No. 3 ~ 36  
FIG. 40 REF. No. 1 ~ 48  
FIG. 41 REF. No. 2 ~ 54  
FIG. 42 REF. No. 1 ~ 17  
FIG. 43 REF. No. 1 ~ 30



1,2,,172160-74150,, "BODY ASSY, ARM",1,1,,,,,,,,,,,,,  
2,3,,172141-74370,, "SEAT, SPRING",2,2,,,,,,,,,,,,,  
3,3,,172141-74390,, PLUG,1,1,,,,,,,,,,,,,  
4,3,,172141-74400,, PLATE,2,2,,,,,,,,,,,,,  
5,3,,172141-74410,, BOLT,2,2,,,,,,,,,,,,,  
6,3,,172141-74420,, BOLT,2,2,,,,,,,,,,,,,  
7,3,,172141-74430,, O-RING,1,1,,,,,,,,,,,,,  
8,3,,172141-74440,, RING,1,1,,,,,,,,,,,,,  
9,3,,172141-74450,, RING,1,1,,,,,,,,,,,,,  
10,3,,172141-74460,, RING,1,1,,,,,,,,,,,,,  
11,3,,172141-74470,, GASKET,2,2,,,,,,,,,,,,,  
12,3,,172141-74480,, SHIM,4,4,,,,,,,,,,,,,  
13,3,,172141-74380,, SPRING,1,1,,,,,,,,,,,,,  
14,3,,172141-74520,, SPRING,1,1,,,,,,,,,,,,,  
15,3,,172141-74530,, PLANGER,1,1,,,,,,,,,,,,,  
16,3,,172160-74160,, "VALVE 210/25.5RELIEF",1,1,,,,,,,,,,,,,  
19,3,,172141-74350,, COVER,1,1,,,,,,,,,,,,,  
20,3,,172141-74360,, "SEAT, SPRING",1,1,,,,,,,,,,,,,  
21,3,,172141-74570,, PLUG,1,1,,,,,,,,,,,,,  
22,3,,172141-74580,, O-RING,1,1,,,,,,,,,,,,,  
23,3,,172141-74590,, O-RING,1,1,,,,,,,,,,,,,  
24,3,,172141-74600,, "RING, BACK UP",1,1,,,,,,,,,,,,,  
25,2,,172160-74180,, "BODY ASSY, BUCKET",1,1,,,,,,,,,,,,,  
26,3,,172141-74350,, COVER,1,1,,,,,,,,,,,,,  
27,3,,172141-74360,, "SEAT, SPRING",1,1,,,,,,,,,,,,,  
28,3,,172141-74370,, "SEAT, SPRING",2,2,,,,,,,,,,,,,  
29,3,,172141-74380,, SPRING,1,1,,,,,,,,,,,,,  
30,3,,172141-74390,, PLUG,1,1,,,,,,,,,,,,,  
31,3,,172141-74400,, PLATE,2,2,,,,,,,,,,,,,  
32,3,,172141-74410,, BOLT,2,2,,,,,,,,,,,,,  
33,3,,172141-74420,, BOLT,2,2,,,,,,,,,,,,,  
34,3,,172141-74430,, O-RING,1,1,,,,,,,,,,,,,  
35,3,,172141-74440,, RING,1,1,,,,,,,,,,,,,  
36,3,,172141-74450,, RING,1,1,,,,,,,,,,,,,  
37,3,,172141-74460,, RING,1,1,,,,,,,,,,,,,  
38,3,,172141-74470,, GASKET,2,2,,,,,,,,,,,,,  
39,3,,172141-74480,, SHIM,4,4,,,,,,,,,,,,,  
41,3,,172141-74520,, SPRING,1,1,,,,,,,,,,,,,  
42,3,,172141-74530,, PLANGER,1,1,,,,,,,,,,,,,  
43,3,,172141-74620,, "VALVE,ANTI-CAVITATI.",1,1,,,,,,,,,,,,,  
45,3,,172141-74570,, PLUG,1,1,,,,,,,,,,,,,  
46,3,,172141-74580,, O-RING,1,1,,,,,,,,,,,,,  
47,3,,172141-74590,, O-RING,1,1,,,,,,,,,,,,,  
48,3,,172141-74600,, "RING, BACK UP",1,1,,,,,,,,,,,,,

# Fig. 40 コントロールバルブ (アーム&バケット) CONTROL VALVE (ARM & BUCKET)

見出しNo. 1は、見出しNo. 2から24を含みます。  
1 inc. 2 ~ 24



見出しNo. 25は、見出しNo. 26から48を含みます。  
25 inc. 26 ~ 48

## コントロールバルブアッシー

CONTROL VALVE ASSY

(172160-74100)

FIG. 39 REF. No. 1

INC. FIG. 39 REF. No. 3 ~ 36

FIG. 40 REF. No. 1 ~ 48

FIG. 41 REF. No. 1 ~ 54

FIG. 42 REF. No. 1 ~ 17

FIG. 43 REF. No. 1 ~ 32

## コントロールバルブアッシー

CONTROL VALVE ASSY

(172160-74110)

FIG. 39 REF. No. 2

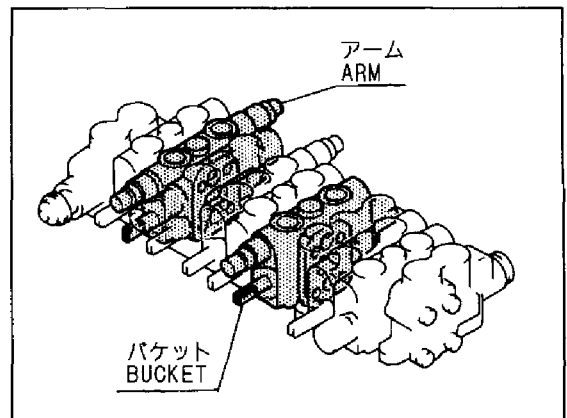
INC. FIG. 39 REF. No. 3 ~ 36

FIG. 40 REF. No. 1 ~ 48

FIG. 41 REF. No. 2 ~ 54

FIG. 42 REF. No. 1 ~ 17

FIG. 43 REF. No. 1 ~ 30



1,2,,172141-74170,, "BODY ASSY",1,1,,,,,,,,,,,,,  
2,2,,172143-74180,, "BODY ASSY, VALVE",1,1,,,,,1,,,,,  
3,3,,172141-74350,, COVER,1,1,,,,,,,,,,,,,  
4,3,,172141-74360,, "SEAT, SPRING",1,1,,,,,,,,,,,,,  
5,3,,172141-74370,, "SEAT, SPRING",2,2,,,,,,,,,,,,,  
6,3,,172141-74380,, SPRING,1,1,,,,,,,,,,,,,  
7,3,,172141-74390,, PLUG,1,1,,,,,2,,,,,  
8,3,,172141-74400,, PLATE,2,2,,,,,,,,,,,,,  
9,3,,172141-74410,, BOLT,2,2,,,,,,,,,,,,,  
10,3,,172141-74420,, BOLT,2,2,,,,,,,,,,,,,  
11,3,,172141-74430,, O-RING,1,1,,,,,,,,,,,,,  
12,3,,172141-74440,, RING,1,1,,,,,,,,,,,,,  
13,3,,172141-74450,, RING,1,1,,,,,,,,,,,,,  
14,3,,172141-74460,, RING,1,1,,,,,,,,,,,,,  
15,3,,172141-74470,, GASKET,2,2,,,,,,,,,,,,,  
16,3,,172141-74480,, SHIM,4,4,,,,,,,,,,,,,  
17,3,,172141-74520,, SPRING,1,1,,,,,,,,,,,,,  
18,3,,172141-74530,, PLANGER,1,1,,,,,2,,,,,  
21,3,,172141-74570,, PLUG,1,1,,,,,,,,,,,,,  
22,3,,172141-74580,, O-RING,1,1,,,,,,,,,,,,,  
23,3,,172141-74590,, O-RING,1,1,,,,,,,,,,,,,  
24,3,,172141-74600,, "RING, BACK UP",1,1,,,,,,,,,,,,,  
26,3,,172141-74620,, "VALVE, ANTI-CAVITATI.",1,1,,,,,,,,,,,,,  
27,3,,172143-74200,, PLUNGER,1,1,,,,,1,,,,,  
28,3,,172143-74210,, RETAINER,1,1,,,,,,,,,,,,,  
29,3,,172143-74220,, O-RING,1,1,,,,,,,,,,,,,  
30,3,,172142-74310,, NIPPLE,1,1,,,,,1,,,,,  
31,2,,172160-74170,, "BODY ASSY",1,1,,,,,,,,,,,,,  
32,3,,172141-74350,, COVER,1,1,,,,,,,,,,,,,  
33,3,,172141-74360,, "SEAT, SPRING",1,1,,,,,,,,,,,,,  
34,3,,172141-74370,, "SEAT, SPRING",2,2,,,,,,,,,,,,,  
35,3,,172141-74390,, PLUG,1,1,,,,,,,,,,,,,  
36,3,,172141-74400,, PLATE,2,2,,,,,,,,,,,,,  
37,3,,172141-74410,, BOLT,2,2,,,,,,,,,,,,,  
38,3,,172141-74420,, BOLT,2,2,,,,,,,,,,,,,  
39,3,,172141-74430,, O-RING,1,1,,,,,,,,,,,,,  
40,3,,172141-74440,, RING,1,1,,,,,,,,,,,,,  
41,3,,172141-74450,, RING,1,1,,,,,,,,,,,,,  
42,3,,172141-74460,, RING,1,1,,,,,,,,,,,,,  
43,3,,172141-74470,, GASKET,2,2,,,,,,,,,,,,,  
44,3,,172141-74480,, SHIM,4,4,,,,,,,,,,,,,  
46,3,,172141-74380,, SPRING,1,1,,,,,,,,,,,,,  
47,3,,172141-74520,, SPRING,1,1,,,,,,,,,,,,,  
48,3,,172141-74530,, PLANGER,1,1,,,,,,,,,,,,,  
49,3,,172160-74160,, "VALVE 210/25.5RELIEF",1,1,,,,,,,,,,,,,  
51,3,,172141-74570,, PLUG,1,1,,,,,,,,,,,,,  
52,3,,172141-74580,, O-RING,1,1,,,,,,,,,,,,,  
53,3,,172141-74590,, O-RING,1,1,,,,,,,,,,,,,  
54,3,,172141-74600,, "RING, BACK UP",1,1,,,,,,,,,,,,,



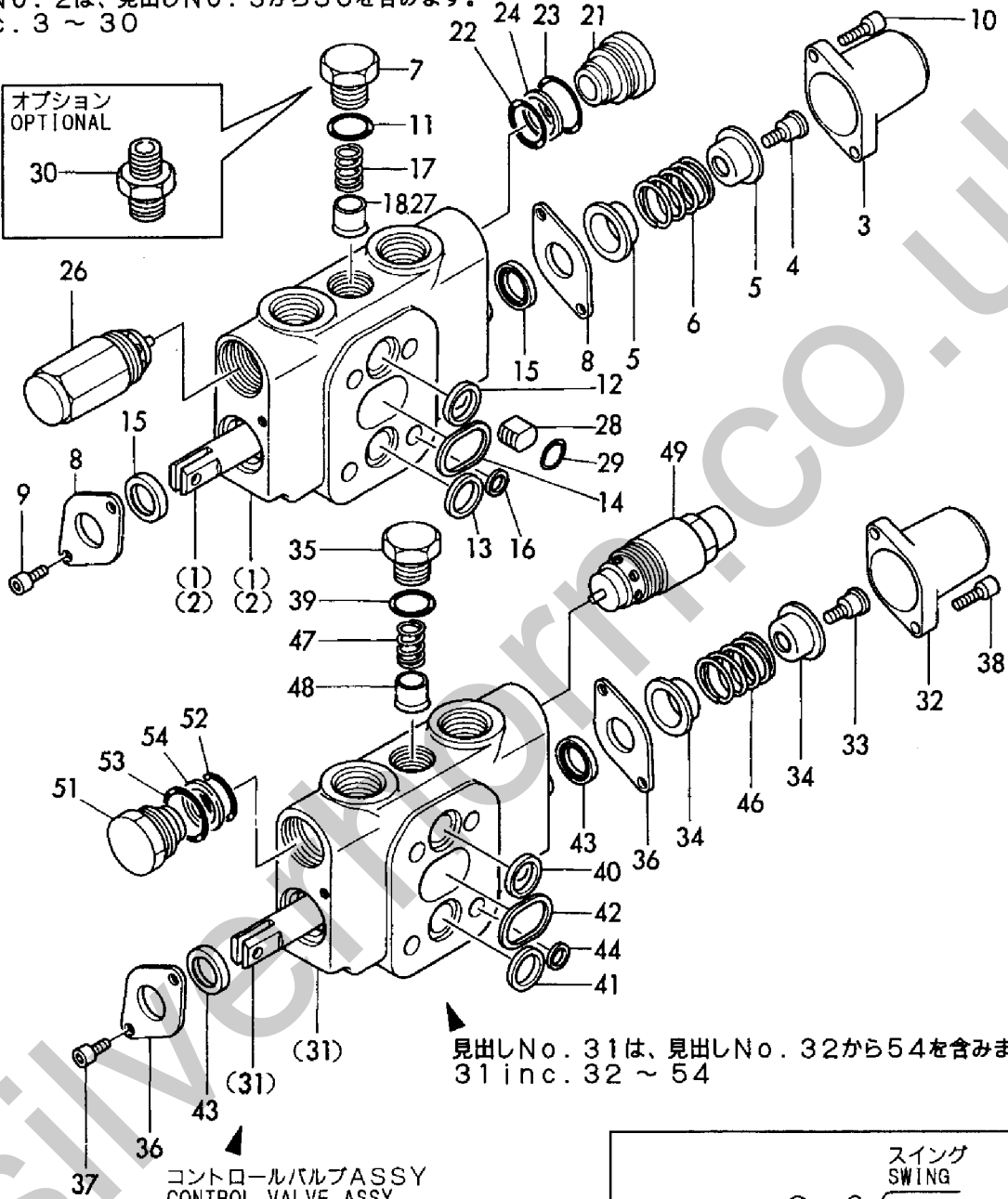
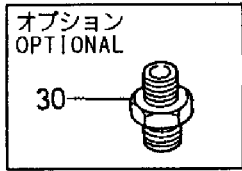
# Fig. 41 コントロールバルブ (スイング&ブーム) CONTROL VALVE (SWING & BOOM)

見出しNo. 1は、見出しNo. 3から29を含みます。

1 inc. 3 ~ 29

見出しNo. 2は、見出しNo. 3から30を含みます。

2 inc. 3 ~ 30



見出しNo. 31は、見出しNo. 32から54を含みます。  
31 inc. 32 ~ 54

コントロールバルブASSY  
CONTROL VALVE ASSY  
(172160-74100)

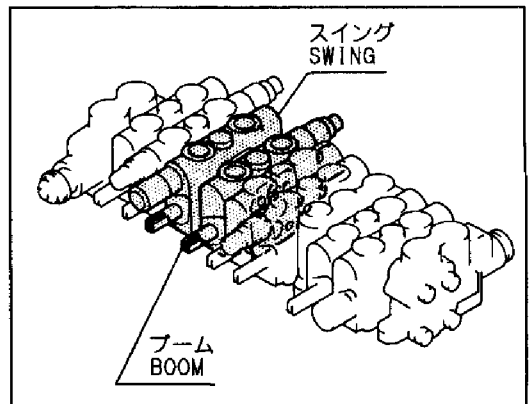
FIG. 39 REF. No. 1

- INC. FIG. 39 REF. No. 3 ~ 36
- FIG. 40 REF. No. 1 ~ 48
- FIG. 41 REF. No. 1 ~ 54
- FIG. 42 REF. No. 1 ~ 17
- FIG. 43 REF. No. 1 ~ 32

コントロールバルブASSY  
CONTROL VALVE ASSY  
(172160-74110)

FIG. 39 REF. No. 2

- INC. FIG. 39 REF. No. 3 ~ 36
- FIG. 40 REF. No. 1 ~ 48
- FIG. 41 REF. No. 2 ~ 54
- FIG. 42 REF. No. 1 ~ 17
- FIG. 43 REF. No. 1 ~ 30

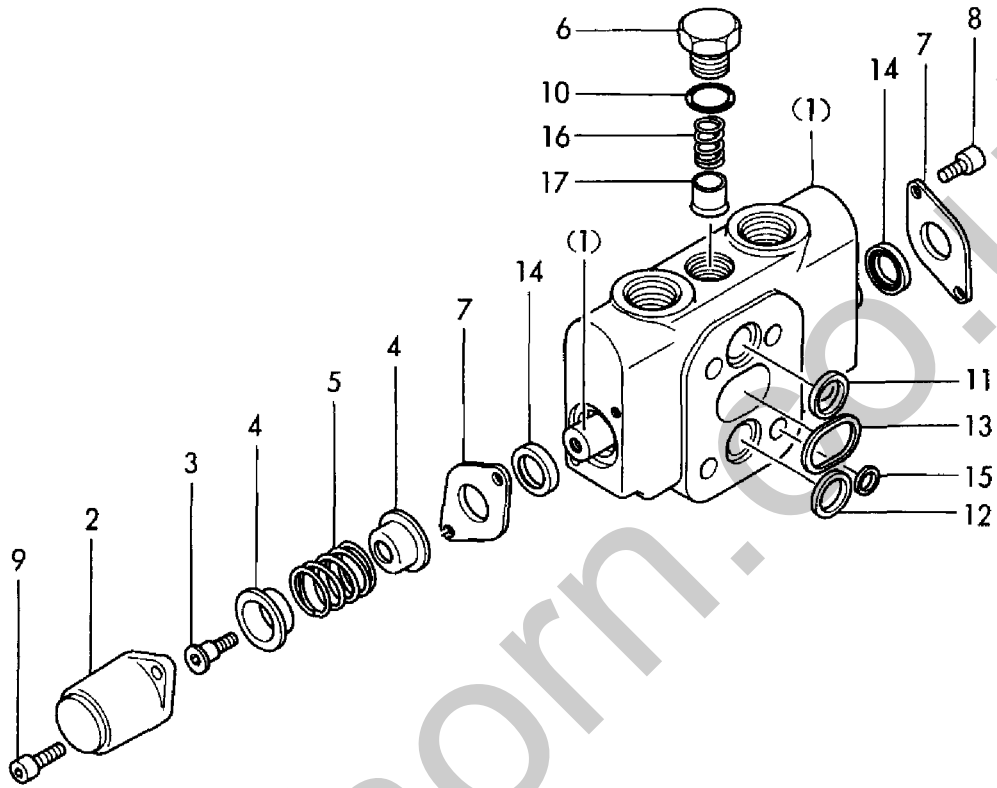


1,2,,172141-74220,, "BODY ASSY",1,1,,,,,,,,,,,,,  
2,3,,172141-74350,,COVER,1,1,,,,,,,,,,,,,  
3,3,,172141-74360,, "SEAT, SPRING",1,1,,,,,,,,,,,,,  
4,3,,172141-74370,, "SEAT, SPRING",2,2,,,,,,,,,,,,,  
5,3,,172141-74380,,SPRING,1,1,,,,,,,,,,,,,  
6,3,,172141-74390,,PLUG,1,1,,,,,,,,,,,,,  
7,3,,172141-74400,,PLATE,2,2,,,,,,,,,,,,,  
8,3,,172141-74410,,BOLT,2,2,,,,,,,,,,,,,  
9,3,,172141-74420,,BOLT,2,2,,,,,,,,,,,,,  
10,3,,172141-74430,,O-RING,1,1,,,,,,,,,,,,,  
11,3,,172141-74440,,RING,1,1,,,,,,,,,,,,,  
12,3,,172141-74450,,RING,1,1,,,,,,,,,,,,,  
13,3,,172141-74460,,RING,1,1,,,,,,,,,,,,,  
14,3,,172141-74470,,GASKET,2,2,,,,,,,,,,,,,  
15,3,,172141-74480,,SHIM,4,4,,,,,,,,,,,,,  
16,3,,172141-74520,,SPRING,1,1,,,,,,,,,,,,,  
17,3,,172141-74530,,PLANGER,1,1,,,,,,,,,,,,,

Silverhorn.CO.UK

# Fig. 42 コントロールバルブ (ブレード) CONTROL VALVE (BLADE)

見出しNo. 1は、見出しNo. 2から17を含みます。  
1 inc. 2 ~ 17

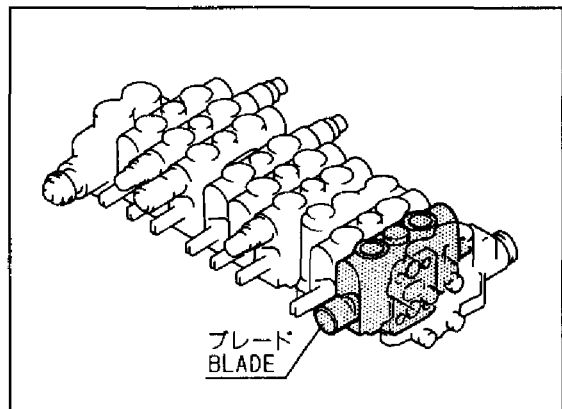


コントロールバルブ ASSY  
CONTROL VALVE ASSY  
(172160-74100)

FIG. 39 REF. No. 1  
INC. FIG. 39 REF. No. 3 ~ 36  
FIG. 40 REF. No. 1 ~ 48  
FIG. 41 REF. No. 1 ~ 54  
FIG. 42 REF. No. 1 ~ 17  
FIG. 43 REF. No. 1 ~ 32

コントロールバルブ ASSY  
CONTROL VALVE ASSY  
(172160-74110)

FIG. 39 REF. No. 2  
INC. FIG. 39 REF. No. 3 ~ 36  
FIG. 40 REF. No. 1 ~ 48  
FIG. 41 REF. No. 2 ~ 54  
FIG. 42 REF. No. 1 ~ 17  
FIG. 43 REF. No. 1 ~ 30

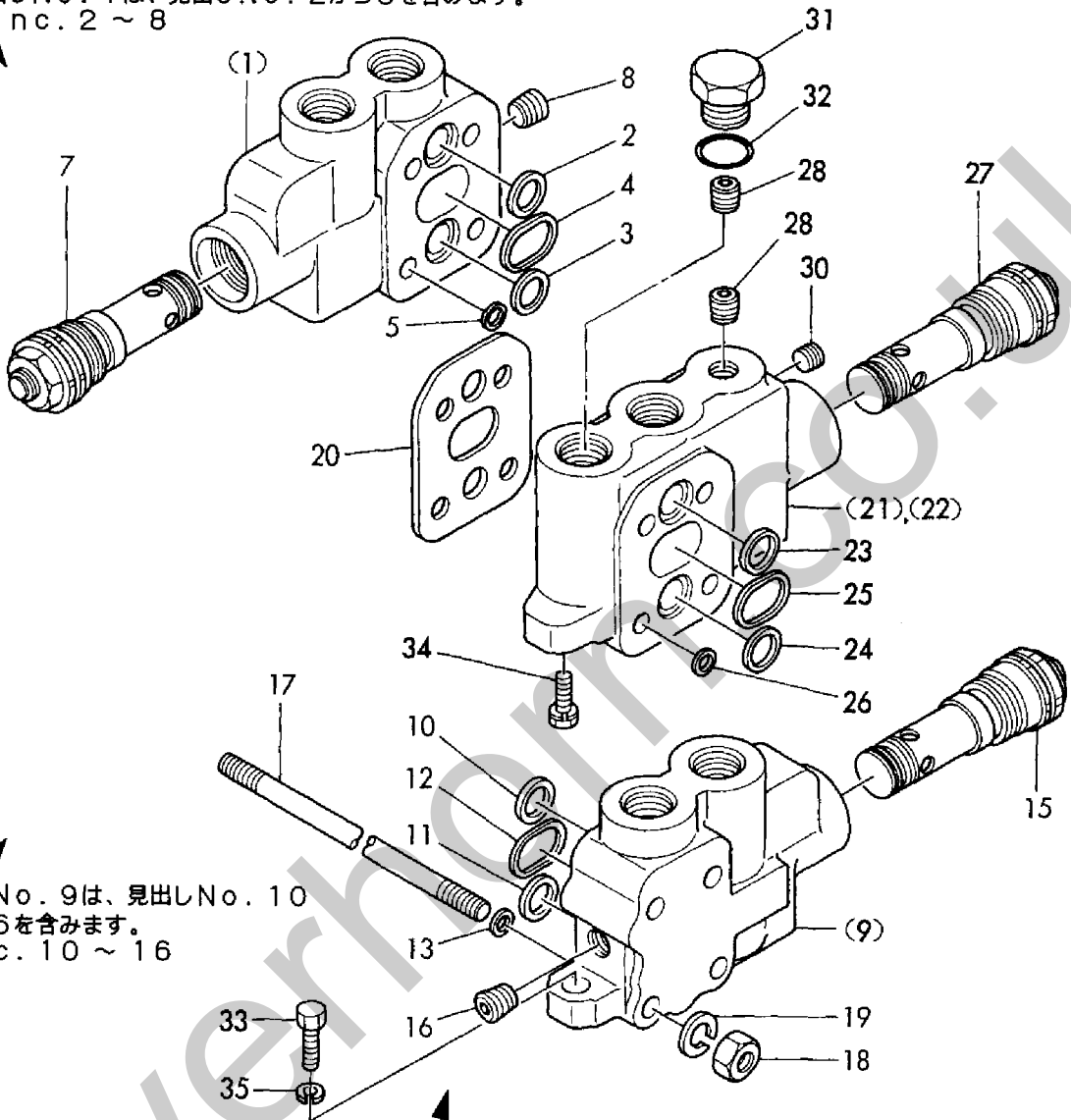


1,2,,172160-74190,, "COVER ASSY(P1)",1,1,,,,,,,,,,,,,  
 2,3,,172141-74440,, RING,1,1,,,,,,,,,,,,,  
 3,3,,172141-74450,, RING,1,1,,,,,,,,,,,,,  
 4,3,,172141-74460,, RING,1,1,,,,,,,,,,,,,  
 5,3,,172141-74480,, SHIM,4,4,,,,,,,,,,,,,  
 7,3,,172160-74200,, "VALVE 185/25.5RELIEF",1,1,,,,,,,,,,,,,  
 8,3,,172141-74750,, PLUG,1,1,,,,,,,,,,,,,  
 9,2,,172160-74210,, "COVER ASSY(P3)",1,1,,,,,,,,,,,,,  
 10,3,,172141-74440,, RING,1,1,,,,,,,,,,,,,  
 11,3,,172141-74450,, RING,1,1,,,,,,,,,,,,,  
 12,3,,172141-74460,, RING,1,1,,,,,,,,,,,,,  
 13,3,,172141-74480,, SHIM,4,4,,,,,,,,,,,,,  
 15,3,,172160-74220,, "VALVE 160/23.5RELIEF",1,1,,,,,,,,,,,,,  
 16,3,,172141-74750,, PLUG,1,1,,,,,,,,,,,,,  
 17,2,,172141-74260,, STUD,4,4,,,,,,,,,,,,,  
 18,2,,172141-74270,, "NUT, LOCK",8,8,,,,,,,,,,,,,  
 19,2,,172141-74280,, "SPRING WASHER",8,8,,,,,,,,,,,,,  
 20,2,,172141-74290,, PLATE,1,1,,,,,,,,,,,,,  
 21,2,,172160-74230,, "COVER ASSY(P2)",1,1,,,,,,,,,,,,,  
 22,2,,172160-74240,, "COVER ASSY(P2 3RD",1,1,,,,,1,,,,,,,,,,,,,  
 23,3,,172141-74440,, RING,1,1,,,,,,,,,,,,,  
 24,3,,172141-74450,, RING,1,1,,,,,,,,,,,,,  
 25,3,,172141-74460,, RING,1,1,,,,,,,,,,,,,  
 26,3,,172141-74480,, SHIM,4,4,,,,,,,,,,,,,  
 27,3,,172160-74200,, "VALVE 185/25.5RELIEF",1,1,,,,,,,,,,,,,  
 28,3,,172141-74750,, PLUG,1,1,,,,,,,,,,,,,  
 30,3,,172141-74720,, PLUG,1,1,,,,,,,,,,,,,  
 31,2,,172141-74310,, PLUG,1,1,,,,,2,,,,,,,,,,,,,  
 32,2,,172141-74320,, O-RING,1,1,,,,,2,,,,,,,,,,,,,  
 33,1,,26116-100202,, "BOLT M10X 20 PLATED",2,2,,,,,,,,,,,,,  
 34,1,,26013-100302,, "BOLT M10X 30",1,1,,,,,,,,,,,,,  
 35,1,,22217-100000,, "SPRING WASHER 10",2,2,,,,,,,,,,,,,



# Fig. 43 コントロールバルブ (P1, P2, P3) CONTROL VALVE (P1, P2, P3)

見出しNo. 1は、見出しNo. 2から8を含みます。  
1 inc. 2 ~ 8



見出しNo. 9は、見出しNo. 10  
から16を含みます。  
9 inc. 10 ~ 16

見出しNo. 21, 22は、見出しNo. 23から32を含みます。  
21, 22 inc. 23 ~ 32

コントロールバルブASSY  
CONTROL VALVE ASSY  
(172160-74100)

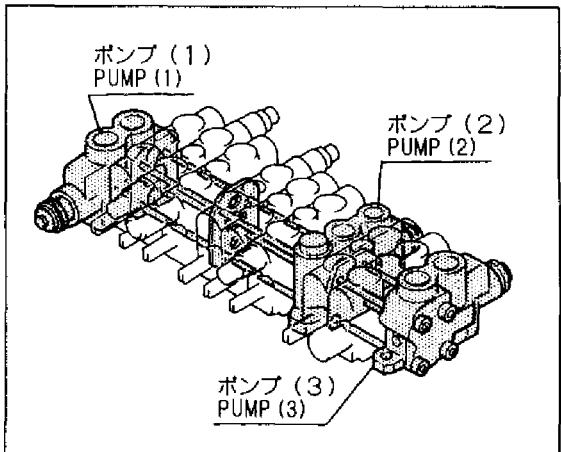
FIG. 39 REF. No. 1

INC. FIG. 39 REF. No. 3 ~ 36  
FIG. 40 REF. No. 1 ~ 48  
FIG. 41 REF. No. 1 ~ 54  
FIG. 42 REF. No. 1 ~ 17  
FIG. 43 REF. No. 1 ~ 32

コントロールバルブASSY  
CONTROL VALVE ASSY  
(172160-74110)

FIG. 39 REF. No. 2

INC. FIG. 39 REF. No. 3 ~ 36  
FIG. 40 REF. No. 1 ~ 48  
FIG. 41 REF. No. 2 ~ 54  
FIG. 42 REF. No. 1 ~ 17  
FIG. 43 REF. No. 1 ~ 30

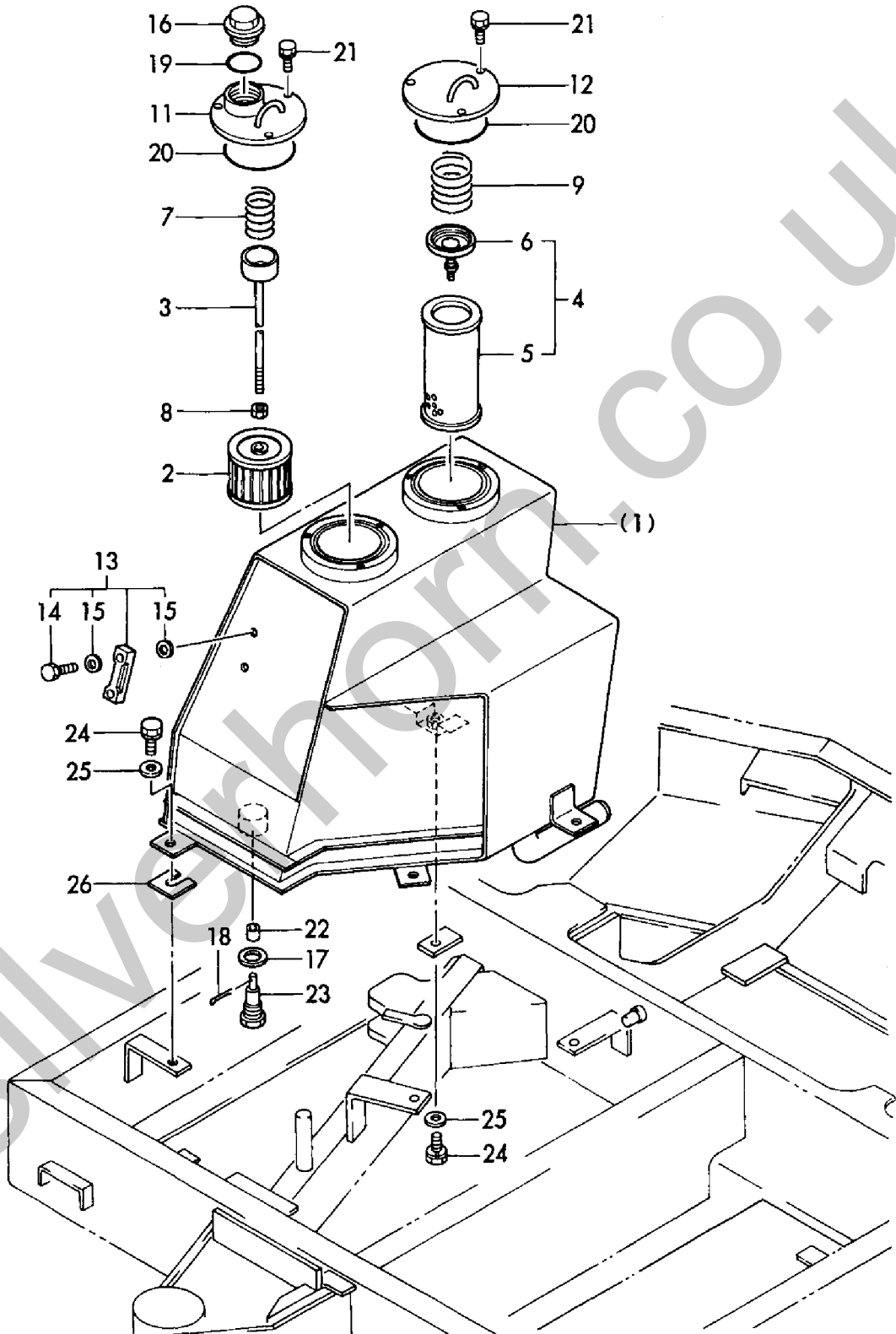


1,1,,772141-75100,, "RESERVER ASSY",1,1,,,,,,,,,,,,,  
 2,2,,172137-73700,, "FILTER, SUCTION",1,1,,,,,,,,,,,,,  
 3,2,,172141-73710,, "ROD, STRAINER",1,1,,,,,,,,,,,,,  
 4,2,,172141-73750,, "FILTER ASSY, RETURN",1,1,,,,,,,,,,,,,  
 5,3,,172141-73760,, ELEMENT,1,1,,,,,,,,,,,,,  
 6,3,,172141-73770,, "VALVE ASSY, BYPASS",1,1,,,,,,,,,,,,,  
 7,2,,172112-75780,, "SPRING, STRAINER",1,1,,,,,,,,,,,,,  
 8,2,,26716-100002,, "NUT M10",1,1,,,,,,,,,,,,,  
 9,2,,933152-02710,, "SPRING, SIDE CLUTCH",1,1,,,,,,,,,,,,,  
 11,2,,172141-75400,, "COVER, EXIT",1,1,,,,,,,,,,,,,  
 12,2,,172141-75430,, "COVER, INTAKE",1,1,,,,,,,,,,,,,  
 13,2,,172122-75600,, "GAUGE, OIL LEVEL",1,1,,,,,,,,,,,,,  
 14,3,,172122-75620,, BOLT,2,2,,,,,,,,,,,,,  
 15,3,,172122-75630,, GASKET,4,4,,,,,,,,,,,,,  
 16,2,,172116-75850,, "PLUG, OIL FEED",1,1,,,,,,,,,,,,,  
 17,2,,22134-240000,, "WASHER 24",1,1,,,,,,,,,,,,,  
 18,2,,22417-200160,, "COTTER PIN 2.0X16",1,1,,,,,,,,,,,,,  
 19,2,,24311-000380,, "O-RING 1A P-38.0",1,1,,,,,,,,,,,,,  
 20,2,,24321-001050,, "O-RING 1A G-105.0",2,2,,,,,,,,,,,,,  
 21,2,,26013-080202,, "BOLT W/WASHER M8X20",6,6,,,,,,,,,,,,,  
 22,2,,933171-23042,, MAGNET,1,1,,,,,,,,,,,,,  
 23,2,,933171-23062,, "PLUG 24, DRAIN",1,1,,,,,,,,,,,,,  
 24,1,,26013-120302,, "BOLT W/WASHER M12X30",4,4,,,,,,,,,,,,,  
 25,1,,933152-03700,, "WASHER, SIDE CLUTCH",4,4,,,,,,,,,,,,,  
 26,1,,933169-22940,, "SPACER, RESERVOIR",1,1,,,,,,,,,,,,,



# Fig. 44 作動油タンク HYD. OIL TANK

見出しNo. 1は、見出しNo. 2から23を含みます。  
1 inc. 2 ~ 23

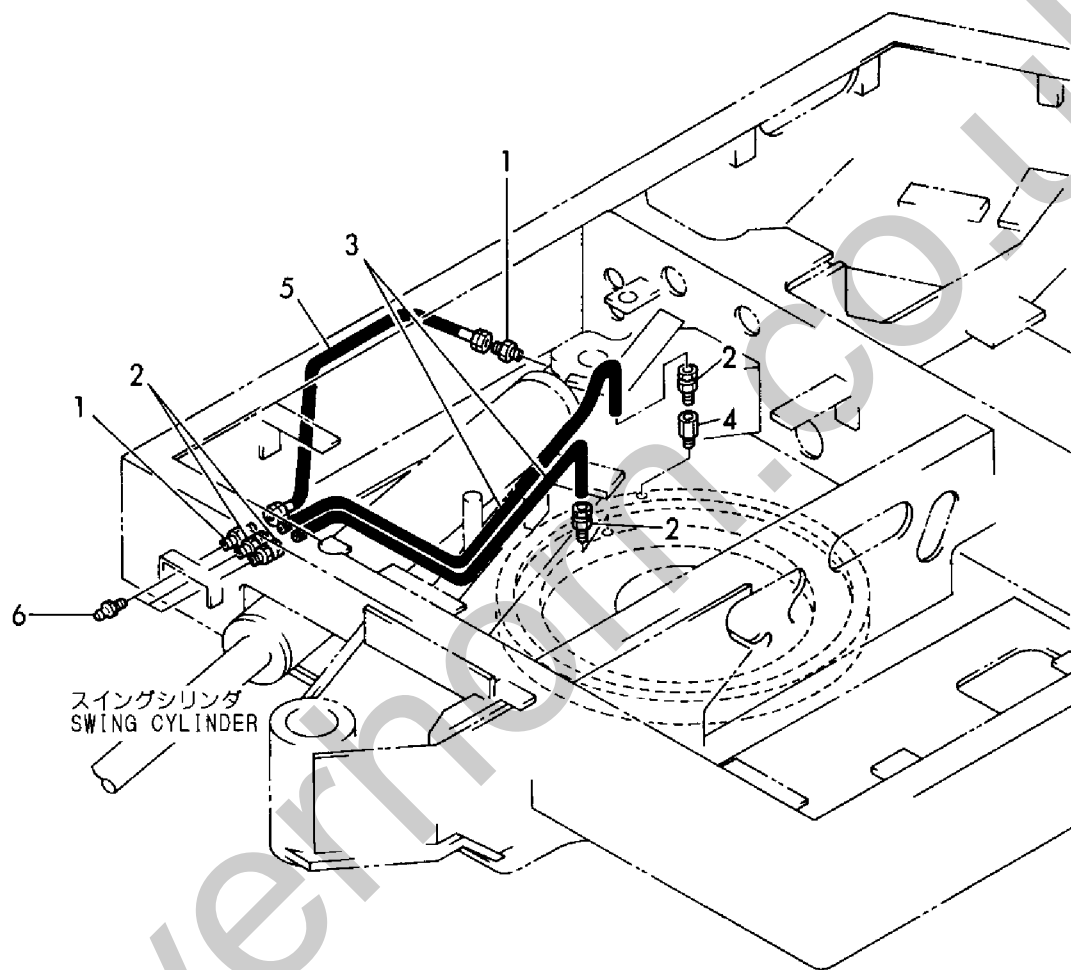


1,1,,172112-77580,, "JOINT 1/8",2,2,,,,,,,,,,,,,,,,,,,,,  
2,1,,172141-77800,, "JOINT, GREASE",4,4,,,,,,,,,,,,,,,,,,,,,  
3,1,,172141-77811,, "HOSE, GREASE",2,2,,,,,,,,,,,,,,,,,,,,,  
4,1,,172312-77820,, "FITTING, GREASE",1,1,,,,,,,,,,,,,,,,,,,,,  
5,1,,172135-78110,, HOSE,1,1,,,,,,,,,,,,,,,,,,,,,  
6,1,,24761-020000,, "NIPPLE PT1/8,GREASE",3,3,,,,,,,,,,,,,,,,,,,,,

Silverhorn.CO.UK



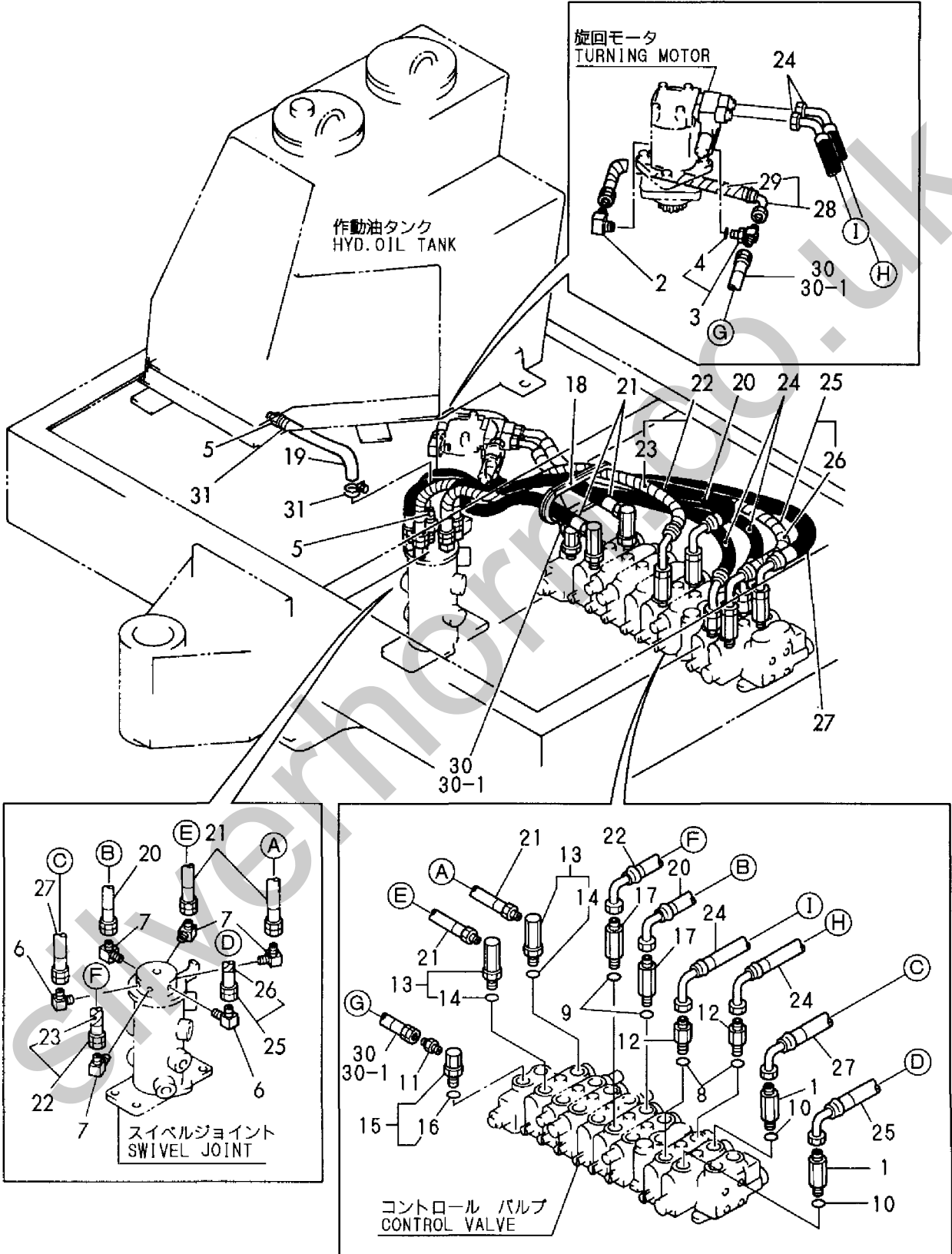
Fig. 45 グリーシング  
GREASING



1,1,,172124-76150,, "NIPPLE 3/4U-PF1/4",2,2,,,,,,,,,,,,,,,,,  
2,1,,23393-020000,, "JOINT 90RGI1/4",1,1,,,,,,,,,,,,,,,,,  
3,1,,172141-76200,,CONNECTOR,1,1,,,,,,,,,,,,,,,,,  
4,2,,24315-000110,, "O-RING 1B P-11.0",1,1,,,,,,,,,,,,,,,,,  
5,1,,172141-76220,,NIPPLE,2,2,,,,,,,,,,,,,,,,,  
6,1,,23393-020000,, "JOINT 90RGI1/4",2,2,,,,,,,,,,,,,,,,,  
7,1,,23393-030000,, "JOINT 90RGI 3/8",4,4,,,,,,,,,,,,,,,,,  
8,1,,933152-24120,, "O-RING (B)",2,2,,,,,,,,,,,,,,,,,  
9,1,,933152-24120,, "O-RING (B)",2,2,,,,,,,,,,,,,,,,,  
10,1,,933152-24120,, "O-RING (B)",2,2,,,,,,,,,,,,,,,,,  
11,1,,933152-24410,, "CONNECTOR (A)",1,1,,,,,,,,,,,,,,,,,  
12,1,,933155-08481,, "CONNECTOR (A)",2,2,,,,,,,,,,,,,,,,,  
13,1,,933169-24091,,CONNECTOR,2,2,,,,,,,,,,,,,,,,,  
14,2,,933152-24120,, "O-RING (B)",2,2,,,,,,,,,,,,,,,,,  
15,1,,933169-24281,,CONNECTOR,1,1,,,,,,,,,,,,,,,,,  
16,2,,933152-07400,, "O-RING (A)",1,1,,,,,,,,,,,,,,,,,  
17,1,,933171-24520,, "CONNECTOR 3/8-78",2,2,,,,,,,,,,,,,,,,,  
18,1,,172160-78160,, "BUSH 13X290",1,1,,,,,,,,,,,,,,,,,  
19,1,,172141-78110,,HOSE,1,1,,,,,,,,,,,,,,,,,  
20,1,,172141-78190,,HOSE,1,1,,,,,,,,,,,,,,,,,  
21,1,,172141-78260,,HOSE,2,2,,,,,,,,,,,,,,,,,  
22,1,,172141-78330,,HOSE,1,1,,,,,,,,,,,,,,,,,  
23,2,,172141-78820,, "TUBE, SPIRAL",1,1,,,,,,,,,,,,,,,,,  
24,1,,172141-78340,,HOSE,2,2,,,,,,,,,,,,,,,,,  
25,1,,172141-78350,,HOSE,1,1,,,,,,,,,,,,,,,,,  
26,2,,172141-78840,, "TUBE, SPIRAL",1,1,,,,,,,,,,,,,,,,,  
27,1,,172141-78360,,HOSE,1,1,,,,,,,,,,,,,,,,,  
28,1,,172141-78500,,HOSE,1,1,,,,,,,,,,,,,,,,,  
29,2,,172141-78900,, "TUBE, SPIRAL",1,1,,,,,,,,,,,,,,,,,  
30,1,,172141-78530,,HOSE,1,1,,,,,,,,,,,,,,,,,  
30-1,1,,172141-78531,,HOSE,1,1,,,,,N,,,,M10616,,M10616,,,,,  
31,1,,23010-014000,, "CLAMP 14",2,2,,,,,,,,,,,,,,,,,



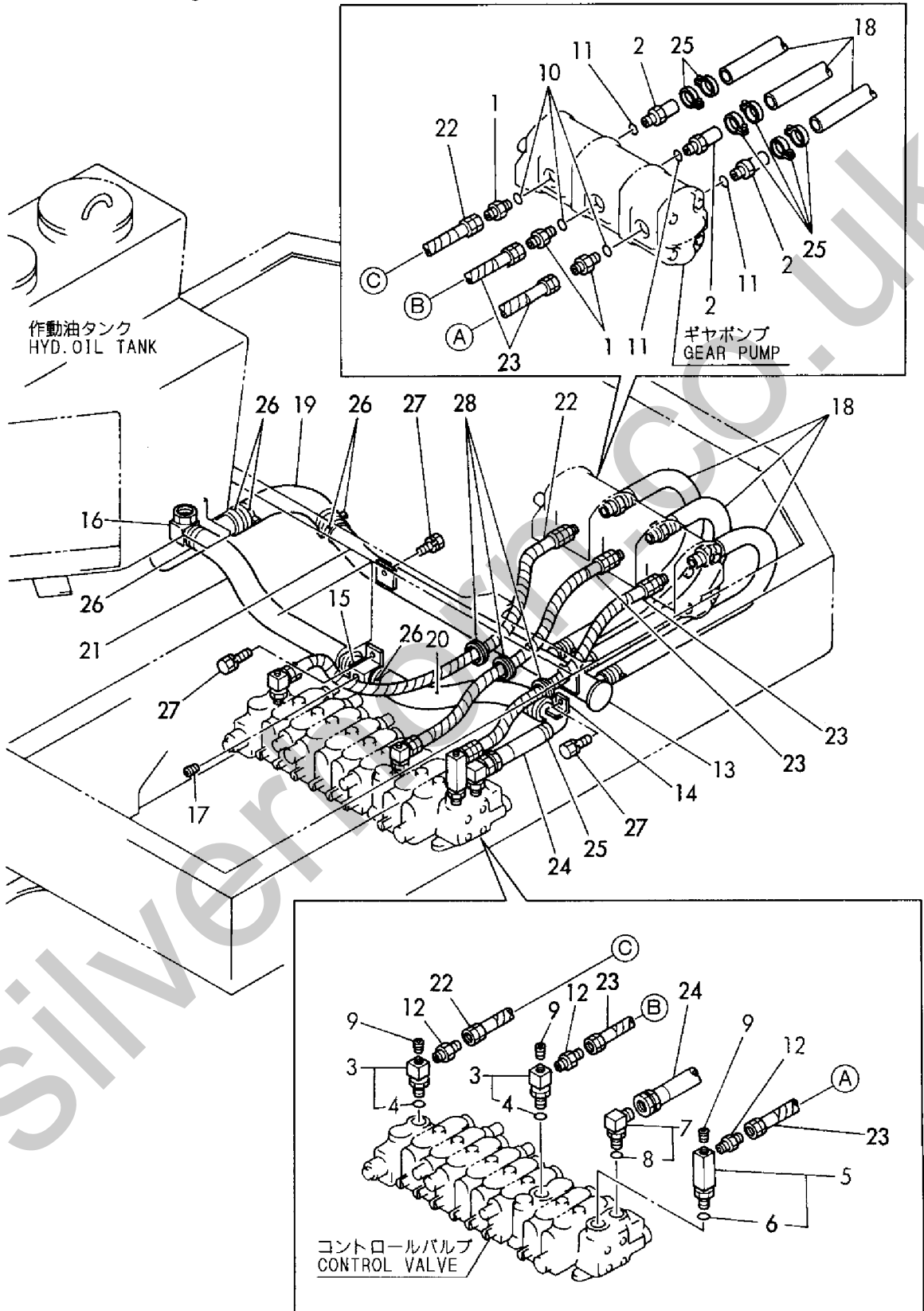
Fig. 46 油圧配管 (バルブ~スイベル~モータ)  
 HYD. OIL PIPING (VALVE~SWIVEL~MOTOR)



1,1,,172122-76120,, "CONNECTOR PF1/2-60",3,3,,,,,,,,,,,,,  
2,1,,172142-76100,,CONNECTOR,3,3,,,,,,,,,,,,,  
3,1,,172146-76160,,CONNECTOR,2,2,,,,,,,,,,,,,  
4,2,,933152-07400,, "O-RING (A)",2,2,,,,,,,,,,,,,  
5,1,,172146-76130,,CONNECTOR,1,1,,,,,,,,,,,,,  
6,2,,933152-07400,, "O-RING (A)",1,1,,,,,,,,,,,,,  
7,1,,172141-76260,, "CONNECTOR 12-14",1,1,,,,,,,,,,,,,  
8,2,,933160-03570,, "O-RING (B)",1,1,,,,,,,,,,,,,  
9,1,,23871-020000,, "PLUG PT1/4,SCREW",3,3,,,,,,,,,,,,,  
10,1,,24315-000140,, "O-RING 1B P-14.0",3,3,,,,,,,,,,,,,  
11,1,,24315-000240,, "O-RING 1B P-24.0",3,3,,,,,,,,,,,,,  
12,1,,23391-040000,, "JOINT RGI 1/2",3,3,,,,,,,,,,,,,  
13,1,,172141-76400,, "PIPE, INTAKE",1,1,,,,,,,,,,,,,  
14,1,,172141-76440,, "JOINT, RETURN(A)",1,1,,,,,,,,,,,,,  
15,1,,172141-76470,, "JOINT, RETURN(B)",1,1,,,,,,,,,,,,,  
16,1,,172141-76490,, "JOINT, RETURN(C)",1,1,,,,,,,,,,,,,  
17,1,,23871-060000,, "PLUG PT3/4,SCREW",1,1,,,,,,,,,,,,,  
18,1,,172141-78090,, "HOSE(B), INTAKE",3,3,,,,,,,,,,,,,  
19,1,,172141-78100,, "HOSE(A), INTAKE",1,1,,,,,,,,,,,,,  
20,1,,172141-78120,,HOSE,1,1,,,,,,,,,,,,,  
21,1,,172141-78131,, "HOSE(A), RETURN",1,1,,,,,,,,,,,,,  
22,1,,172160-78100,,HOSE,1,1,,,,,,,,,,,,,  
23,1,,172160-78110,,HOSE,2,2,,,,,,,,,,,,,  
24,1,,172141-78510,,HOSE,1,1,,,,,,,,,,,,,  
25,1,,23000-041000,, "CLAMP 41",13,13,,,,,,,,,,,,,  
26,1,,23000-048000,, "CLAMP 48",8,8,,,,,,,,,,,,,  
27,1,,26013-100202,, "BOLT W/WASHER M10X20",4,4,,,,,,,,,,,,,  
28,1,,172151-78180,,GROMMET,3,3,,,,,,,,,,,,,

Silverhorn.CO.UK

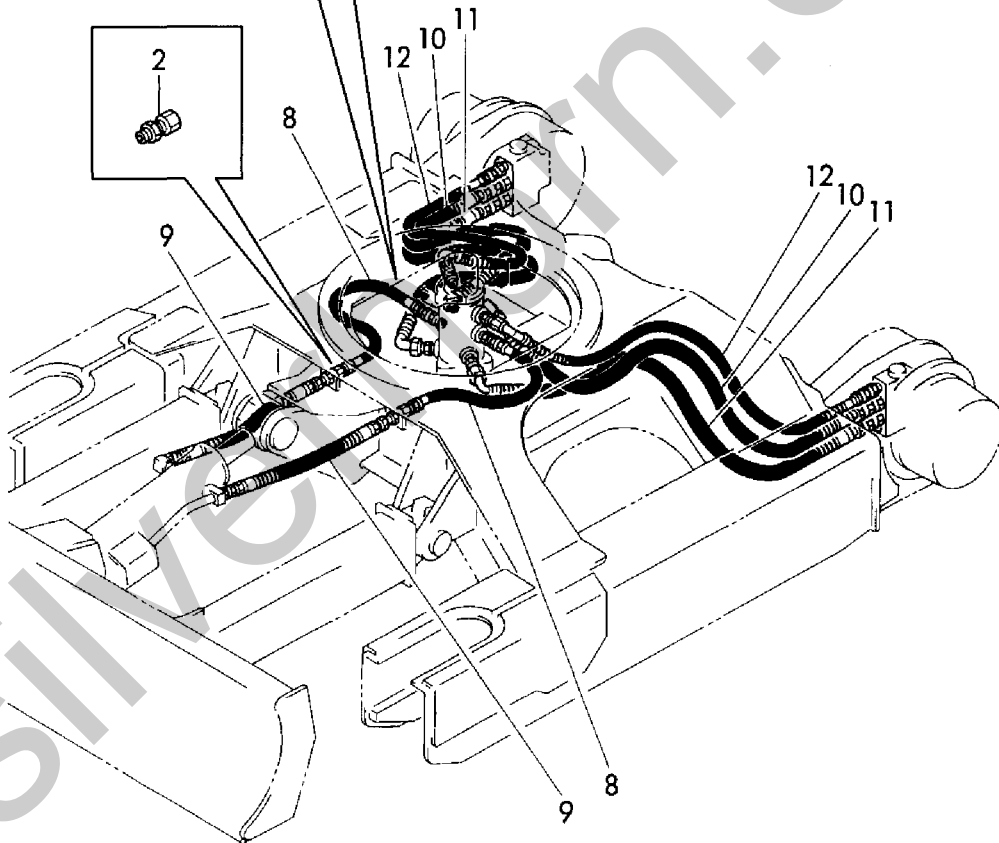
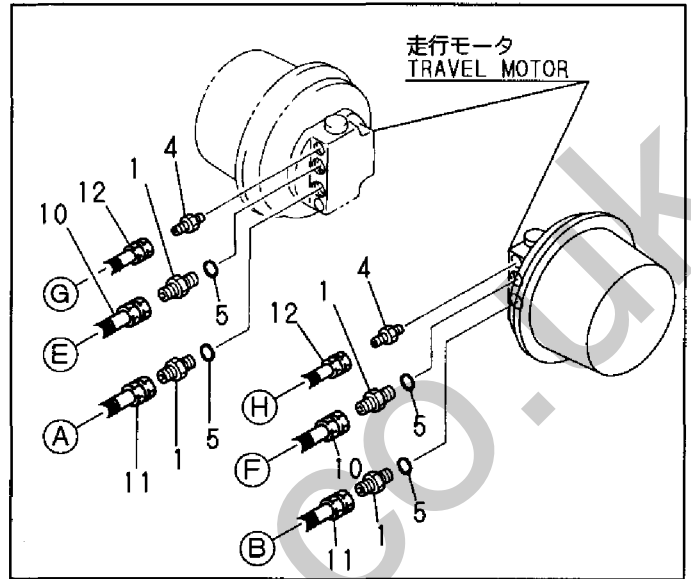
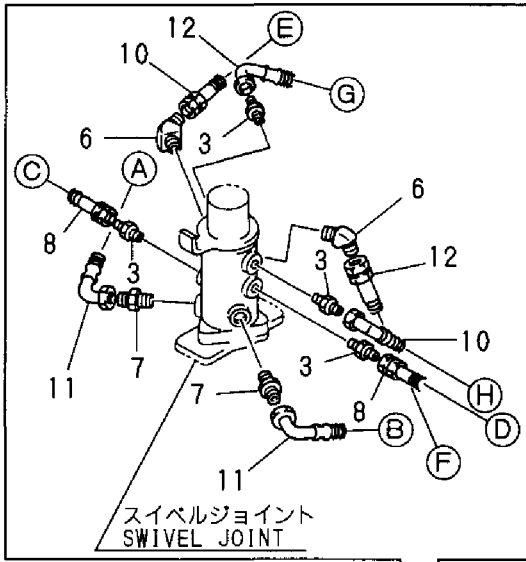
Fig. 47 油圧配管 (タンク~バルブ)  
HYD. OIL PIPING (TANK~VALVE)



1,1,,172730-75140,,ADAPTOR,4,4,,,,,,,,,,,,,  
2,1,,172141-76230,,JOINT,2,2,,,,,,,,,,,,,  
3,1,,23391-020000,, "JOINT RGI1/4",4,4,,,,,,,,,,,,,  
4,1,,23391-020000,, "JOINT RGI1/4",2,2,,,,,,,,,,,,,  
5,1,,24315-000140,, "O-RING 1B P-14.0",4,4,,,,,,,,,,,,,  
6,1,,23394-030000,, "JOINT 45RGI 3/8",2,2,,,,,,,,,,,,,  
7,1,,933152-24410,, "CONNECTOR (A)",2,2,,,,,,,,,,,,,  
8,1,,172141-78450,,HOSE,2,2,,,,,,,,,,,,,  
9,1,,172141-78460,,HOSE,2,2,,,,,,,,,,,,,  
10,1,,172141-78470,,HOSE,2,2,,,,,,,,,,,,,  
11,1,,172141-78480,,HOSE,2,2,,,,,,,,,,,,,  
12,1,,172141-78490,,HOSE,2,2,,,,,,,,,,,,,

Silverhorn.CO.UK

Fig. 48 油圧配管 (走行)  
HYD. OIL PIPING (TRAVEL)

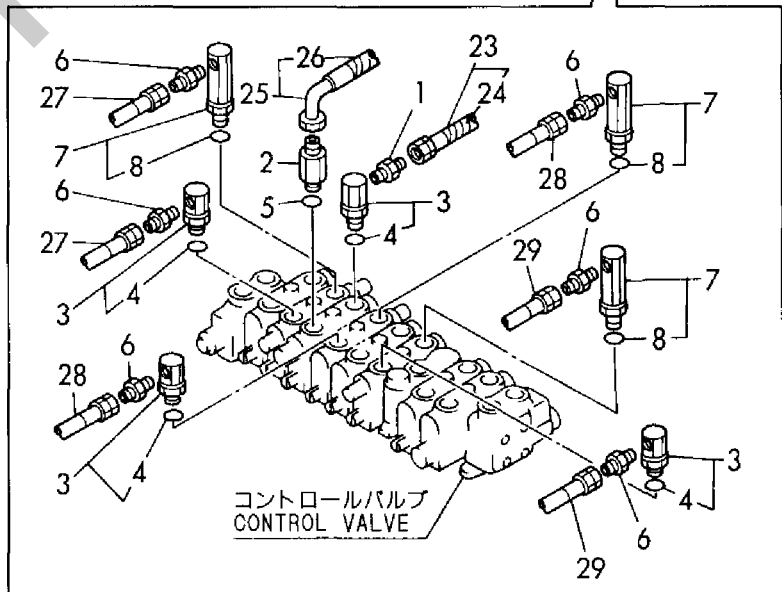
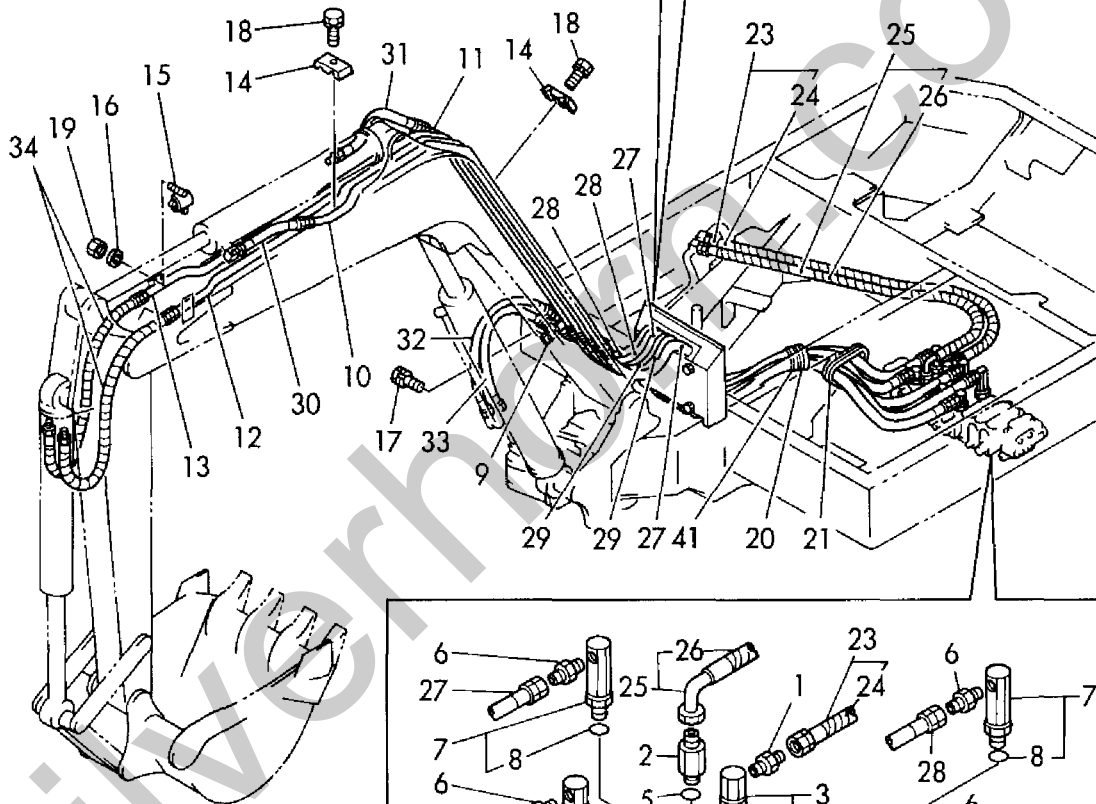
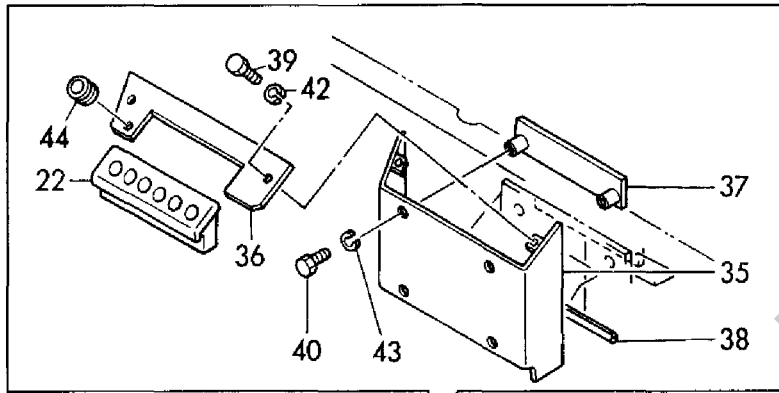


1,1,,172312-76190,, "NIPPLE 3/8X1/4",1,1,,,,,,,,,,,,,  
 2,1,,172312-76220,, "CONNECTOR 1/4-3/4UN",1,1,,,,,,,,,,,,,  
 3,1,,933152-24062,, "CONNECTOR (C)",4,4,,,,,,,,,,,,,  
 4,2,,933152-24120,, "O-RING (B)",4,4,,,,,,,,,,,,,  
 5,1,,933152-24120,, "O-RING (B)",1,1,,,,,,,,,,,,,  
 6,1,,933152-24410,, "CONNECTOR (A)",6,6,,,,,,,,,,,,,  
 7,1,,933169-24091,, "CONNECTOR",3,3,,,,,,,,,,,,,  
 8,2,,933152-24120,, "O-RING (B)",3,3,,,,,,,,,,,,,  
 9,1,,172141-76501,, "JOINT, BOOM",1,1,,,,,,,,,,,,,  
 10,1,,172160-76450,, "PIPE, ARM(L)",1,1,,,,,,,,,,,,,  
 11,1,,172160-76470,, "PIPE, ARM(R)",1,1,,,,,,,,,,,,,  
 12,1,,172160-76410,, "PIPE, BUCKET(L)",1,1,,,,,,,,,,,,,  
 13,1,,172160-76430,, "PIPE, BUCKET(R)",1,1,,,,,,,,,,,,,  
 14,1,,172141-76670,, "CLAMP, PIPE(A)",5,5,,,,,,,,,,,,,  
 15,1,,172141-76680,, "CLAMP, PIPE(B)",2,2,,,,,,,,,,,,,  
 16,1,,22217-080000,, "SPRING WASHER 8",4,4,,,,,,,,,,,,,  
 17,1,,26013-100202,, "BOLT W/WASHER M10X20",2,2,,,,,,,,,,,,,  
 18,1,,26013-100352,, "BOLT M10X 35",5,5,,,,,,,,,,,,,  
 19,1,,26716-080002,, "NUT M 8",4,4,,,,,,,,,,,,,  
 20,1,,194250-51660,, "BAND 250",1,1,,,,,,,,,,,,,  
 21,1,,172160-78150,, "BUSH 13X270",1,1,,,,,,,,,,,,,  
 22,1,,172141-78050,, "CLAMP, HOSE",1,1,,,,,,,,,,,,,  
 23,1,,172141-78270,, "HOSE",1,1,,,,,,,,,,,,,  
 24,2,,172141-78290,, "TUBE, SPIRAL",1,1,,,,,,,,,,,,,  
 25,1,,172141-78300,, "HOSE",1,1,,,,,,,,,,,,,  
 26,2,,172141-78320,, "TUBE, SPIRAL",1,1,,,,,,,,,,,,,  
 27,1,,172141-78370,, "HOSE",2,2,,,,,,,,,,,,,  
 28,1,,172141-78380,, "HOSE",2,2,,,,,,,,,,,,,  
 29,1,,172141-78390,, "HOSE",2,2,,,,,,,,,,,,,  
 30,1,,172141-78400,, "HOSE",1,1,,,,,,,,,,,,,  
 31,1,,172141-78410,, "HOSE",1,1,,,,,,,,,,,,,  
 32,1,,172142-78270,, "HOSE",1,1,,,,,,,,,,,,,  
 33,1,,172141-78430,, "HOSE",1,1,,,,,,,,,,,,,  
 34,1,,172141-78440,, "HOSE",2,2,,,,,,,,,,,,,  
 35,1,,172141-78600,, "SUPPORT, HOSE",1,1,,,,,,,,,,,,,  
 36,1,,172141-78620,, "COVER, HOSE",1,1,,,,,,,,,,,,,  
 37,1,,172141-78640,, "STAY, CLAMP",1,1,,,,,,,,,,,,,  
 38,1,,172141-78690,, "RUBBER",1,1,,,,,,,,,,,,,  
 39,1,,26116-060162,, "BOLT M 6X 16 PLATED",2,2,,,,,,,,,,,,,  
 40,1,,26116-100202,, "BOLT M10X 20 PLATED",4,4,,,,,,,,,,,,,  
 41,1,,29321-405065,, "GROMMET 40X5.0",1,1,,,,,,,,,,,,,  
 42,1,,22217-060000,, "SPRING WASHER 6",2,2,,,,,,,,,,,,,  
 43,1,,22217-100000,, "SPRING WASHER 10",4,4,,,,,,,,,,,,,  
 44,1,,933168-56000,, "GROMMET 17X19",1,1,,,,,,,,,,,,,





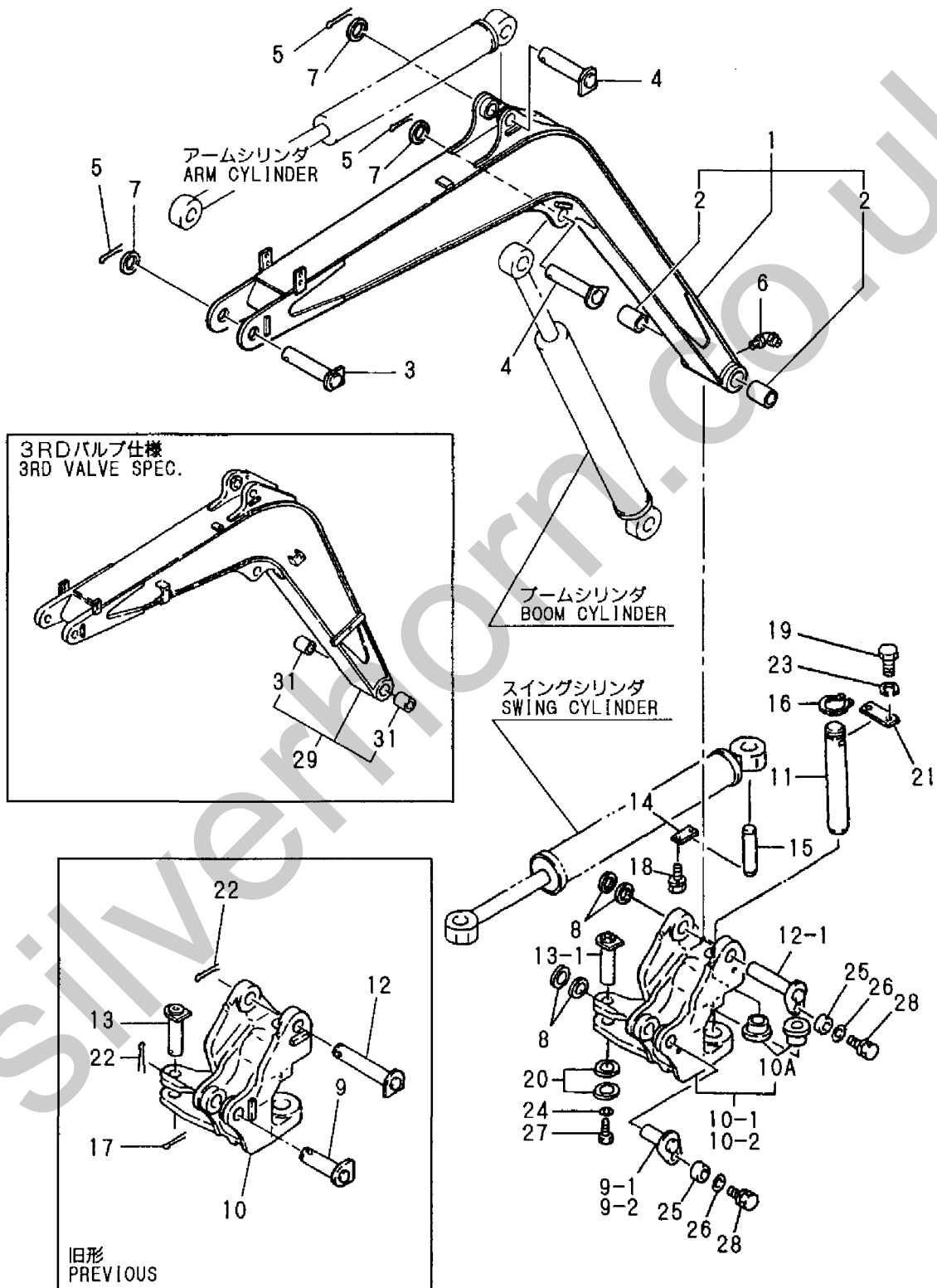
Fig. 49 油圧配管 (ブーム)  
HYD. OIL PIPING (BOOM)



1,1,,172160-81100,, "BOOM W/BUSH ASSY",1,1,,,,,,,,,,,,,  
 2,2,,172112-83500,, "PIN BUSH 45X60",2,2,,,,,,,,,,,,,  
 3,1,,172160-81400,, "PIN 38-172",1,1,,,,,,,,,,,,,  
 4,1,,172141-81420,, "PIN 38-115",2,2,,,,,,,,,,,,,  
 5,1,,22417-800500,, "COTTER PIN 8.0X50",3,3,,,,,,,,,,,,,  
 6,1,,24761-040000,, "NIPPLE B,GREASE",1,1,,,,,,,,,,,,,  
 7,1,,933171-29750,, "SHIM SET, PIN 38",3,3,,,,,,,,,,,,,  
 8,1,,172122-87840,, SHIM,4,4,,,,,,,,,,,,,  
 9,1,,172122-81581,, "PIN (B), BOOM",1,1,,,,,,,,,,,,,  
 9-1,1,,172122-81582,, "PIN (B), BOOM",1,1,,,,,S,,M10915,,M10915,,,,,  
 9-2,1,,172164-81590,, "PIN 45X149",1,1,,,,,R,,M10915,,M10915,,,,,  
 10,1,,172160-82300,, "BRACKET, BOOM",1,1,,,,,,,,,,,,,  
 10-1,1,,172160-82290,, "BRACKET ASSY, BOOM",1,1,,,,,N,,M10915,,M10915,,,,,  
 10-2,1,,172160-82291,, "BRACKET ASSY, BOOM",1,1,,,,,S,,M10915,,M10915,,,,,  
 10A,2,,172160-82320,, "BUSH 60X45",2,2,,,,,W,,M10915,,M10915,,,,,  
 11,1,,172160-82310,, "PIN 60-292",1,1,,,,,,,,,,,,,  
 12,1,,172142-82370,, "PIN 45X237",1,1,,,,,,,,,,,,,  
 12-1,1,,172142-82371,, "PIN 45X241",1,1,,,,,S,,M10915,,M10915,,,,,  
 13,1,,172141-83371,, "PIN 38-97",1,1,,,,,,,,,,,,,  
 13-1,1,,172141-83372,, "PIN 38-94",1,1,,,,,S,,M10915,,M10915,,,,,  
 14,1,,172141-83390,, "PLATE, PIN LOCK",1,1,,,,,,,,,,,,,  
 15,1,,172141-94260,, "PIN 38-130",1,1,,,,,,,,,,,,,  
 16,1,,22242-000600,, "CIRCLIP 60",1,1,,,,,,,,,,,,,  
 17,1,,22417-800500,, "COTTER PIN 8.0X50",1,1,,,,,Z,,M10915,,M10915,,,,,  
 18,1,,26013-100252,, "BOLT W/WASHER M10X25",2,2,,,,,,,,,,,,,  
 19,1,,26116-160402,, "BOLT M16X 40 PLATED",2,2,,,,,,,,,,,,,  
 20,1,,933171-29750,, "SHIM SET, PIN 38",2,2,,,,,,,,,,,,,  
 21,1,,172141-83400,, PLATE,1,1,,,,,,,,,,,,,  
 22,1,,22417-800630,, "COTTER PIN 8.0X63",2,2,,,,,Z,,M10915,,M10915,,,,,  
 23,1,,22217-160000,, "SPRING WASHER 16",2,2,,,,,,,,,,,,,  
 24,1,,172146-82910,, SPACER,1,1,,,,,W,,M10915,,M10915,,,,,  
 25,1,,172164-81670,, SPACER,2,2,,,,,W,,M10915,,M10915,,,,,  
 26,1,,22157-120000,, "WASHER 12",2,2,,,,,W,,M10915,,M10915,,,,,  
 27,1,,26013-120252,, "BOLT M12X 25",1,1,,,,,W,,M10915,,M10915,,,,,  
 28,1,,26013-120302,, "BOLT W/WASHER M12X30",2,2,,,,,W,,M10915,,M10915,,,,,  
 29,1,,172160-81300,, "BOOM W/BUSH, 3RD",1,1,,,,,1,,,,,,,,,  
 31,3,,172112-83500,, "PIN BUSH 45X60",2,2,,,,,1,,,,,,,,



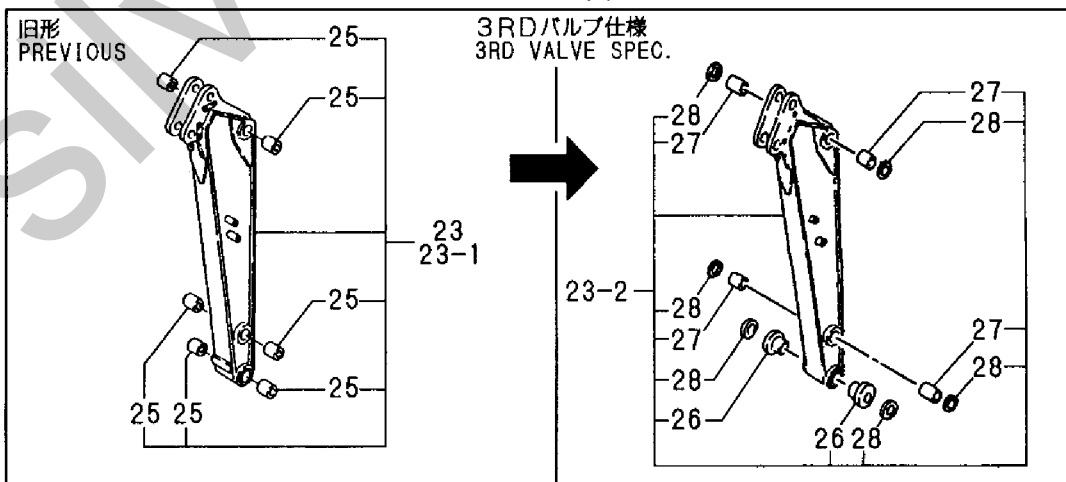
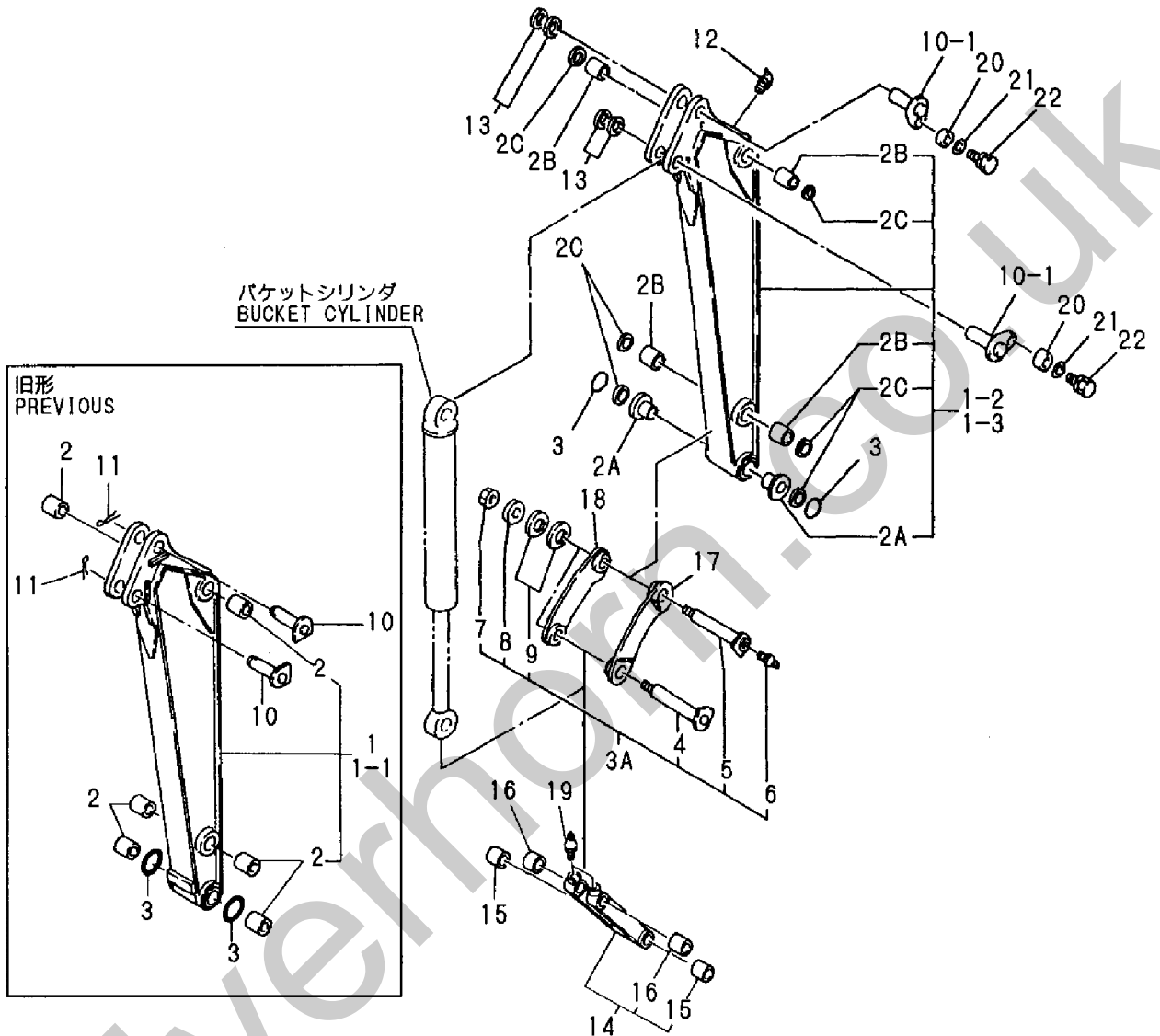
Fig. 50 ブーム&ブームブラケット  
BOOM & BOOM BRACKET



1,1,,172160-81200,, "ARM W/BUSH",1,1,,,,,,,,,,,,,  
 1-1,1,,172160-81201,, "ARM W/BUSH",1,1,,,,,N,, M10501,,M10501,,,,,  
 1-2,1,,172160-81202,, "ARM W/BUSH",1,1,,,,,N,, M10915,,M10915,,,,,  
 1-3,1,,172160-81203,, "ARM W/BUSH",1,1,,,,,S,, M10915,,M10915,,,,,  
 2,2,,172116-82400,, "PIN BUSH 38X55",6,6,,,,,Z,, M10915,,M10915,,,,,  
 2A,2,,172168-81260,, "BUSH 38X55",2,2,,,,,W,, M10915,,M10915,,,,,  
 2B,2,,172141-82280,, "BUSH 38 45, PIN",4,4,,,,,W,, M10915,,M10915,,,,,  
 2C,2,,172122-82290,, "SEAL, DUST",6,6,,,,,W,, M10915,,M10915,,,,,  
 3,1,,172142-81620,, O-RING,2,2,,,,,,,,,,,,,  
 3A,1,,172142-99470,, "KIT, ARM PIN",1,1,,,,,W,, "FROM 1ST",,"FROM 1ST",,,,,,  
 4,2,,172116-84590,, "PIN, BUCKET ARM",1,1,,,,,,,,,,,,,  
 5,2,,172122-84501,, "PIN (A), BUCKET ARM",1,1,,,,,,,,,,,,,  
 6,2,,24761-020000,, "NIPPLE PT1/8,GREASE",1,1,,,,,,,,,,,,,  
 7,2,,933110-86600,, "NUT M24, NYLON",2,2,,,,,,,,,,,,,  
 8,2,,933171-29760,, WASHER,2,2,,,,,,,,,,,,,  
 9,2,,933171-29750,, "SHIM SET, PIN 38",2,2,,,,,,,,,,,,,  
 10,1,,172141-82330,, "PIN 38-86",2,2,,,,,,,,,,,,,  
 10-1,1,,172122-82302,, "PIN ASSY, ARM",2,2,,,,,S,, M10915,,M10915,,,,,  
 11,1,,22417-800500,, "COTTER PIN 8.0X50",2,2,,,,,Z,, M10915,,M10915,,,,,  
 12,1,,24761-040000,, "NIPPLE B,GREASE",1,1,,,,,,,,,,,,,  
 13,1,,933171-29750,, "SHIM SET, PIN 38",2,2,,,,,,,,,,,,,  
 14,1,,172126-84400,, "LINK, BUCKET",1,1,,,,,,,,,,,,,  
 15,2,,172116-82400,, "PIN BUSH 38X55",2,2,,,,,,,,,,,,,  
 16,2,,172116-84490,, "PIN BUSH 38X41",2,2,,,,,,,,,,,,,  
 17,1,,172142-81300,, "ARM(L), BUCKET",1,1,,,,,,,,,,,,,  
 18,1,,172142-81320,, "ARM(R), BUCKET",1,1,,,,,,,,,,,,,  
 19,1,,24761-020000,, "NIPPLE PT1/8,GREASE",2,2,,,,,,,,,,,,,  
 20,1,,172164-81670,, SPACER,2,2,,,,,W,, M10915,,M10915,,,,,  
 21,1,,22157-120000,, "WASHER 12",2,2,,,,,W,, M10915,,M10915,,,,,  
 22,1,,26013-120302,, "BOLT W/WASHER M12X30",2,2,,,,,W,, M10915,,M10915,,,,,  
 23,1,,172160-81350,, "ARM W/BUSH, 3RD",1,1,,,,,1,,,,,,,,,  
 23-1,1,,172160-81351,, "ARM W/BUSH, 3RD",1,1,,,,,N,1, M10501,,M10501,,,,,  
 23-2,1,,172160-81353,, "ARM W/BUSH, 3RD",1,1,,,,,S,1, M10915,,M10915,,,,,  
 25,3,,172116-82400,, "PIN BUSH 38X55",6,6,,,,,Z,1, M10915,,M10915,,,,,  
 26,2,,172168-81260,, "BUSH 38X55",2,2,,,,,W,1, M10915,,M10915,,,,,  
 27,2,,172141-82280,, "BUSH 38 45, PIN",4,4,,,,,W,1, M10915,,M10915,,,,,  
 28,2,,172122-82290,, "SEAL, DUST",6,6,,,,,W,1, M10915,,M10915,,,,,



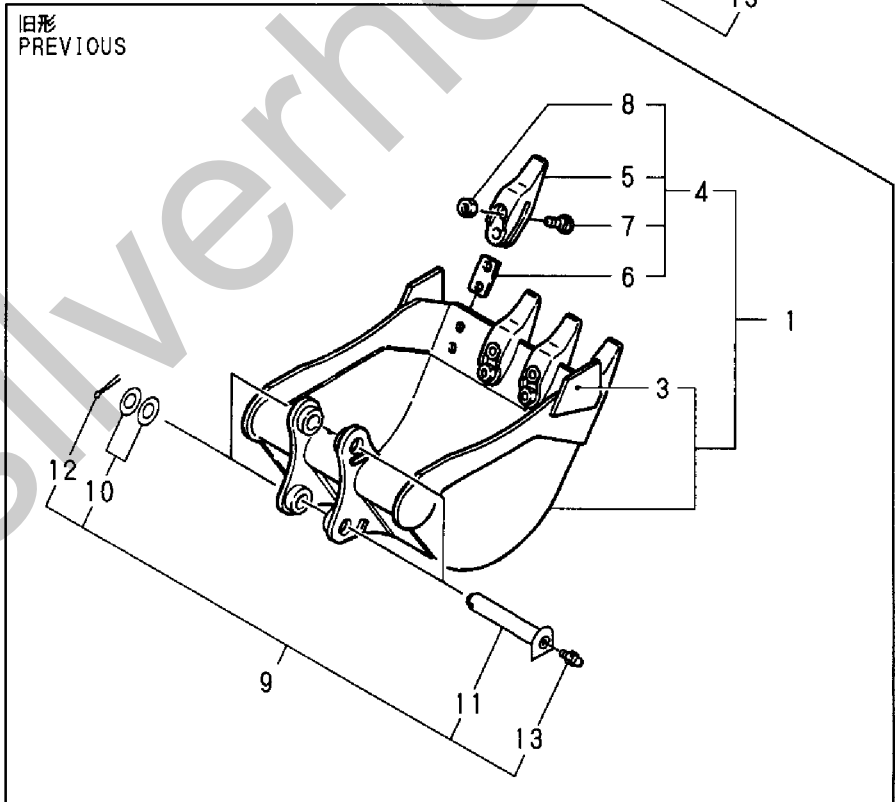
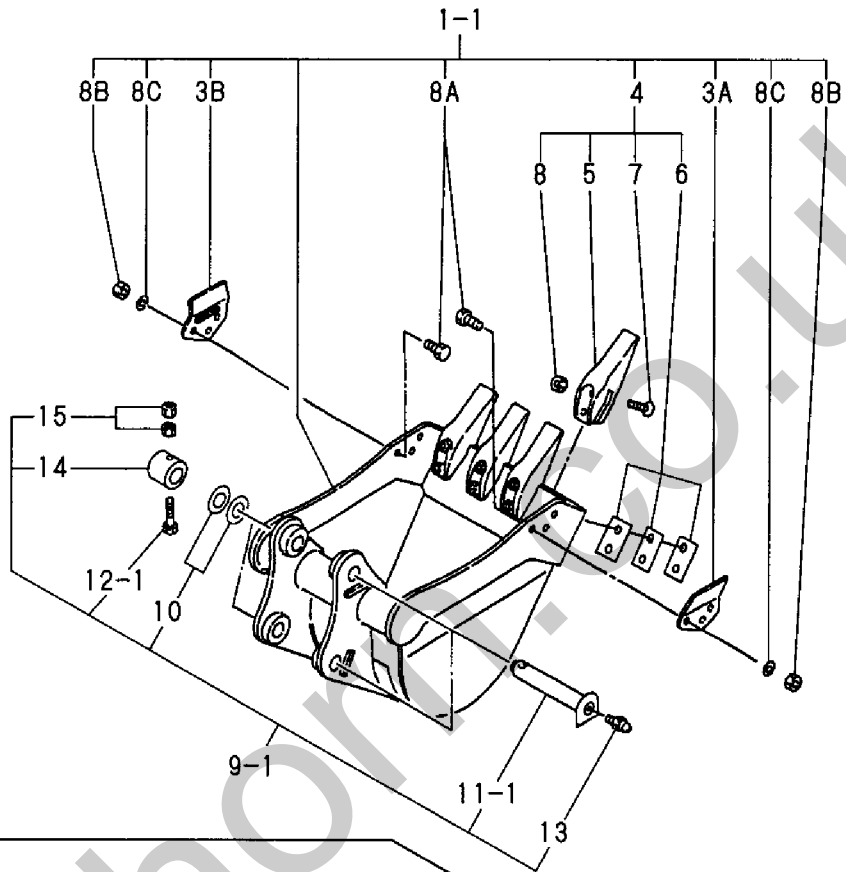
Fig. 51 アーム&バケットリンク  
ARM & BUCKET LINK



1,1,,772122-81401,, "BUCKET ASSY 450",1,1,,,,,,,,,,,,,  
1-1,1,,772122-81402,, "BUCKET ASSY 490",1,1,,,,,N,,M10915,,M10915,,,,,  
3,3,,172116-86240,, "SIDE CUTTER, BUCKET",2,2,,,,,Z,,M10915,,M10915,,,,,  
3A,2,,172142-86150,, "CUTTER (L), SIDE",1,1,,,,,W,,M10915,,M10915,,,,,  
3B,2,,172142-86160,, "CUTTER (R), SIDE",1,1,,,,,W,,M10915,,M10915,,,,,  
4,2,,772122-86123,, "TEETH ASSY",4,4,,,,,,,,,,,,,  
5,3,,172113-86123,, TEETH,4,4,,,,,,,,,,,,,  
6,3,,172137-86710,, "TEETH SHIM 17 SET",4,4,,,,,,,,,,,,,  
7,3,,172142-81380,, BOLT,8,8,,,,,,,,,,,,,  
8,3,,172142-81390,, NUT,8,8,,,,,,,,,,,,,  
8A,2,,172142-86280,, "BOLT M14X 40",6,6,,,,,W,,M10915,,M10915,,,,,  
8B,2,,172142-86290,, "NUT 14",6,6,,,,,W,,M10915,,M10915,,,,,  
8C,2,,22217-140000,, "SPRING WASHER 14",6,6,,,,,W,,M10915,,M10915,,,,,  
9,1,,172142-99450,, "PIN KIT, BUCKET",2,2,,,,,,,,,,,,,  
9-1,1,,172164-81950,, "PIN KIT, BUCKET",2,2,,,,,N,,M10915,,M10915,,,,,  
10,2,,933171-29751,, "SHIM SET,38X(0.8,1.2)",2,2,,,,,,,,,,,,,  
11,2,,172122-86261,, "PIN, BUCKET",2,2,,,,,,,,,,,,,  
11-1,2,,172164-81630,, PIN,2,2,,,,,S,,M10915,,M10915,,,,,  
12,2,,22417-800500,, "COTTER PIN 8.0X50",2,2,,,,,,,,,,,,,  
12-1,2,,26116-100702,, "BOLT M10X 70 PLATED",2,2,,,,,S,,M10915,,M10915,,,,,  
12-2,2,,26116-100652,, "BOLT M10X 65 PLATED",2,2,,,,,N,,M10915,,M10915,,,,,  
13,2,,24761-020000,, "NIPPLE PT1/8,GREASE",2,2,,,,,,,,,,,,,  
14,2,,172164-81700,, COLLAR,2,2,,,,,W,,M10915,,M10915,,,,,  
15,2,,26716-100002,, "NUT M10",2,2,,,,,W,,M10915,,M10915,,,,,



Fig. 52 バケツ (490)  
BUCKET (490)

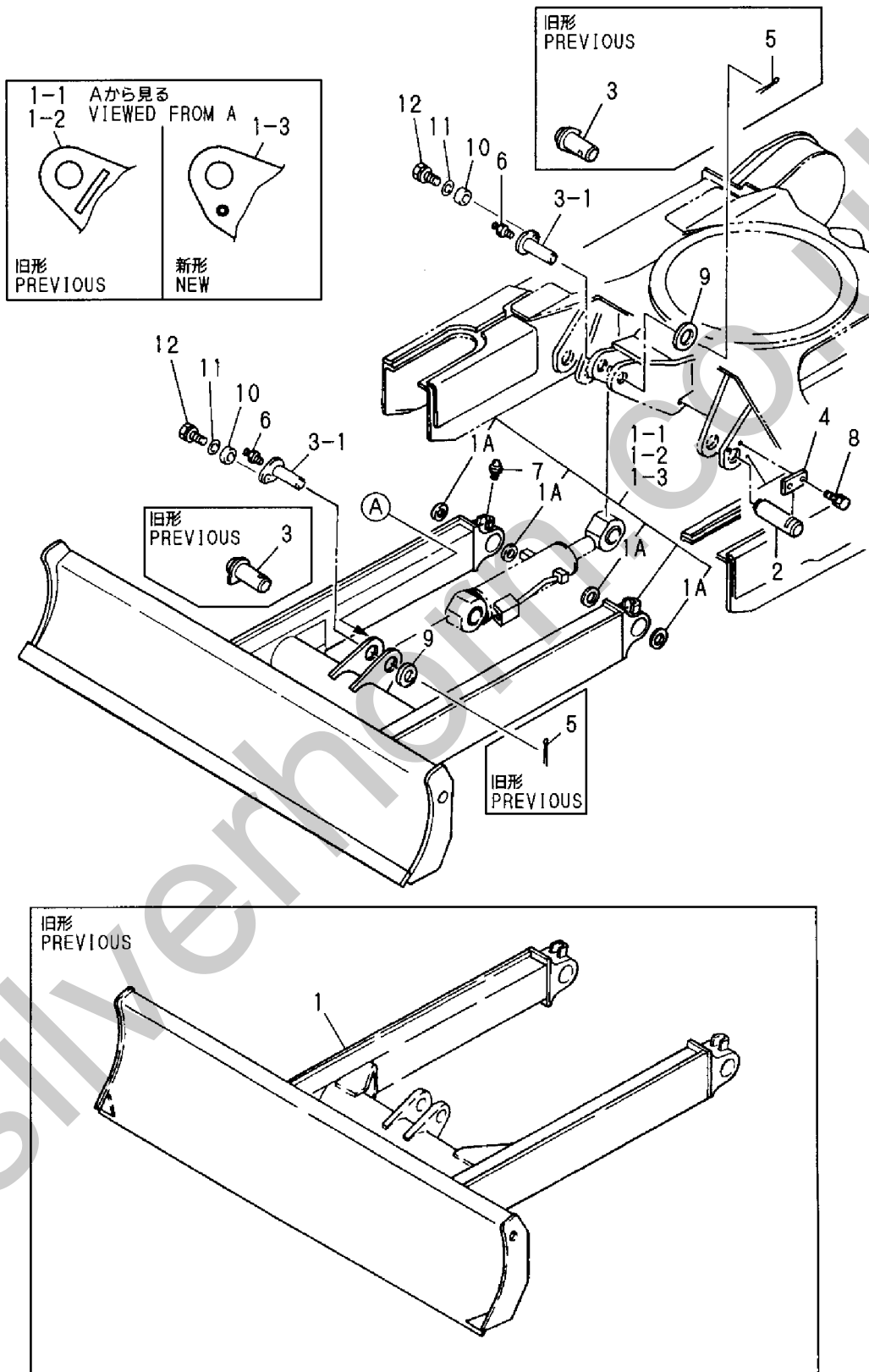


1,1,,172160-94100,, "BLADE ASSY 1120",1,1,,,,,,,,,,,,,  
1-1,1,,172160-94101,, "BLADE 1120",1,1,,,,,N,,M10501,,M10501,,,,,  
1-2,1,,172160-94102,, "BLADE 1160 COMPL.",1,1,,,,,N,,M10915,,M10915,,,,,  
1-3,1,,172160-94103,, "BLADE (1160",1,1,,,,,S,,M10915,,M10915,,,,,  
1A,2,,172168-81270,, "SEAL,DUST 38X50X4",4,4,,,,,W,,M10915,,M10915,,,,,  
2,1,,172141-94260,, "PIN 38-130",2,2,,,,,,,,,,,,,  
3,1,,172141-94270,, "PIN 38-90",2,2,,,,,,,,,,,,,  
3-1,1,,172141-94271,, "PIN 38-94",2,2,,,,,S,,M10915,,M10915,,,,,  
4,1,,172124-94310,, "PLATE, LOCK",2,2,,,,,,,,,,,,,  
5,1,,22417-800560,, "COTTER PIN 8.0X 56",2,2,,,,,Z,,M10915,,M10915,,,,,  
6,1,,24761-020000,, "NIPPLE PT1/8,GREASE",2,2,,,,,,,,,,,,,  
7,1,,24761-040000,, "NIPPLE B,GREASE",2,2,,,,,,,,,,,,,  
8,1,,26013-100252,, "BOLT W/WASHER M10X25",4,4,,,,,,,,,,,,,  
9,1,,933171-29750,, "SHIM SET, PIN 38",2,2,,,,,,,,,,,,,  
10,1,,172164-81670,, "SPACER",2,2,,,,,W,,M10915,,M10915,,,,,  
11,1,,22157-120000,, "WASHER 12",2,2,,,,,W,,M10915,,M10915,,,,,  
12,1,,26013-120302,, "BOLT W/WASHER M12X30",2,2,,,,,W,,M10915,,M10915,,,,,

Silverhorn.CO.UK



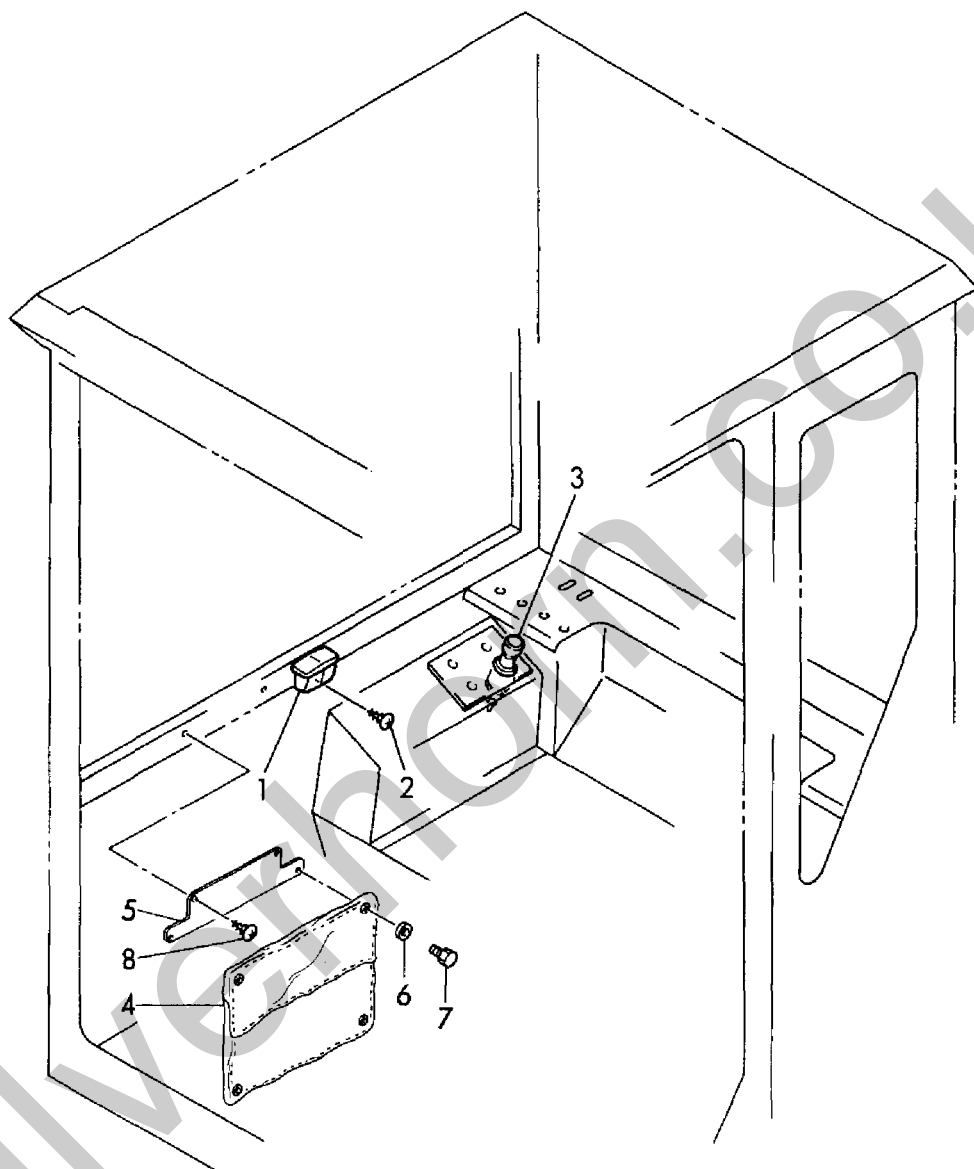
Fig. 53 ブレード (1120)  
BLADE (1120)



1,1,,172312-17250,,ASHTRAY,1,,,,,,,,,,,,,  
2,1,,22867-400100,,,"SCREW 4X10",3,,,,,,,,,,,,,  
3,1,,933113-15000,,,"CIGAR LIGHTER ASSY",1,,,,,,,,,,,,,  
4,1,,172119-68600,,BUCK,1,,,,,,,,,,,,,  
5,1,,172141-07100,,SUPPORT,1,,,,,,,,,,,,,  
6,1,,22117-080000,,,"WASHER 8",2,,,,,,,,,,,,,  
7,1,,26116-080162,,,"BOLT M 8X 16 PLATED",2,,,,,,,,,,,,,  
8,1,,22857-400120,,,"SCREW 4X12",2,,,,,,,,,,,,,

Silverhorn.CO.UK

Fig. 54 シガライター&マニュアルケース (オプション)  
CIGAR LIGHTTER & MANUAL CASE (OPTIONAL)

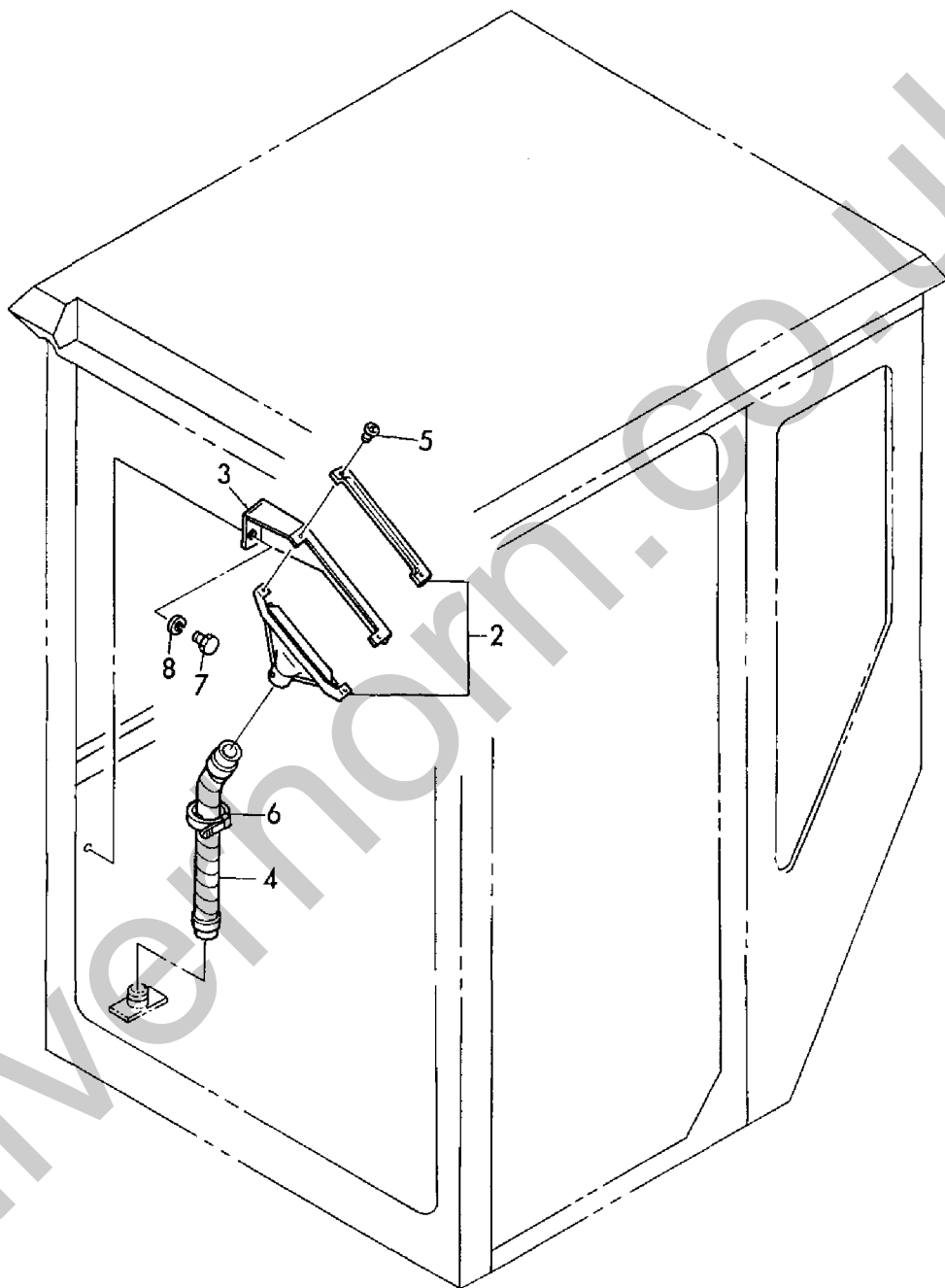


1,1,,772141-17700,, "DEFROSTER ASSY",1,,,,,,,,,,,,,  
2,2,,172120-17710,, "NOZZLE, DEFROSTER",1,,,,,,,,,,,,,  
3,2,,172141-17770,, "STAY, NOZZLE",1,,,,,,,,,,,,,  
4,2,,172141-17780,, "TUBE, AIR",1,,,,,,,,,,,,,  
5,2,,26557-050102,, "SCREW M 5X 10",2,,,,,,,,,,,,,  
6,2,,933152-09280,, "BAND 170",2,,,,,,,,,,,,,  
7,2,,26116-080162,, "BOLT M 8X 16 PLATED",1,,,,,,,,,,,,,  
8,2,,22217-080000,, "SPRING WASHER 8",1,,,,,,,,,,,,,

Silverhorn.CO.UK

Fig. **55** デフロスタ (オプション)  
DEFROSTER (OPTIONAL)

見出しNo. 1は、見出しNo. 2から8を含みます。  
1 inc. 2 ~ 8



1,1,,772141-17810,, "RADIO ASSY",1,,,,,,,,,,,,,,,,,,,,,  
2,2,,172112-17150,, "RADIO (RA-155)",1,,,,,,,,,,,,,,,,,,,,,  
3,2,,172112-17160,, "PANEL (PLA-03-100)",1,,,,,,,,,,,,,,,,,,,,,  
4,2,,172112-17171,, "SPEAKER (SPA-413)",1,,,,,,,,,,,,,,,,,,,,,  
5,2,,172112-17190,, "ANTENNA (NCP-314)",1,,,,,,,,,,,,,,,,,,,,,  
6,2,,172141-17811,, "CASE, RADIO",1,,,,,,,,,,,,,,,,,,,,,  
7,2,,172122-18190,, "PANEL, RADIO",1,,,,,,,,,,,,,,,,,,,,,  
8,2,,22857-500120,, "SCREW 5X12",2,,,,,,,,,,,,,,,,,,,,,  
9,2,,26013-080162,, "BOLT W/WASHER M8X16",1,,,,,,,,,,,,,,,,,,,,,  
10,2,,26557-040122,, "SCREW M 4X 12,PAN HD",2,,,,,,,,,,,,,,,,,,,,,  
11,2,,933168-56000,, "GROMMET 17X19",2,,,,,,,,,,,,,,,,,,,,,  
12,2,,22857-500120,, "SCREW 5X12",2,,,,,,,,,,,,,,,,,,,,,  
13,2,,172141-16600,, "HARNES, RADIO",1,,,,,W,,,,M00511,,,,,  
14,2,,933168-55770,, "BAND 146",1,,,,,W,,,,M00511,,,,,

Silverhorn.CO.UK

Fig. **56** ラジオ (オプション)  
RADIO (OPTIONAL)

見出しNo. 1は、見出しNo. 2から14を含みます。  
1 inc. 2 ~ 14

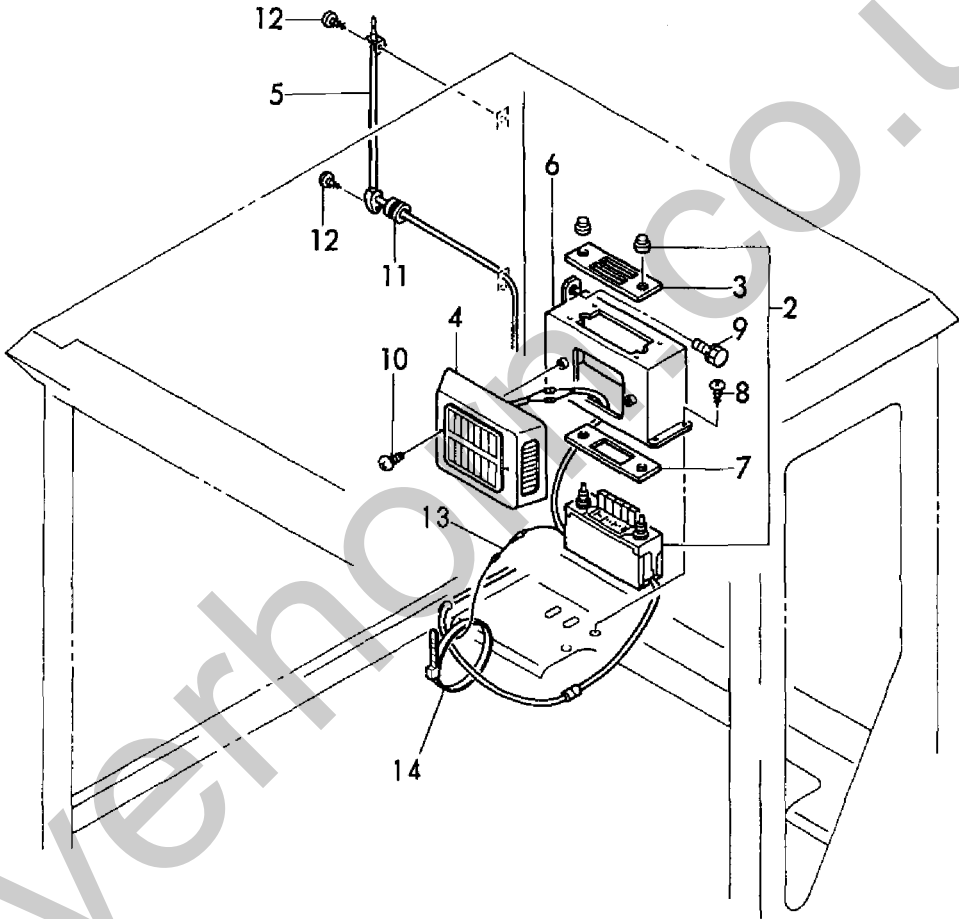
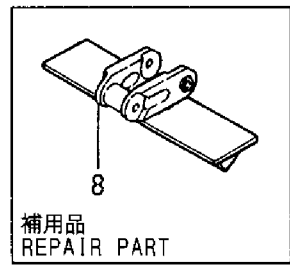
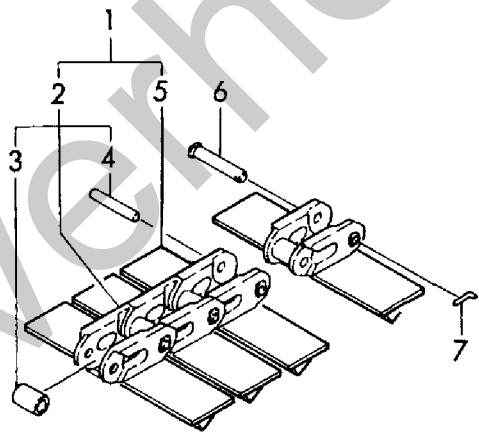
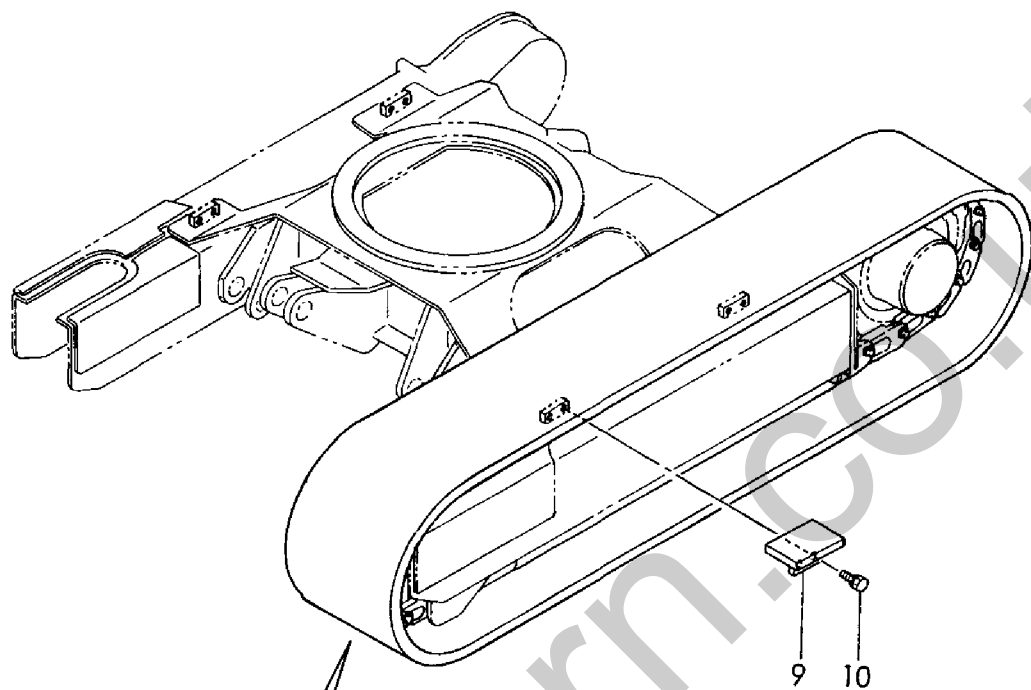






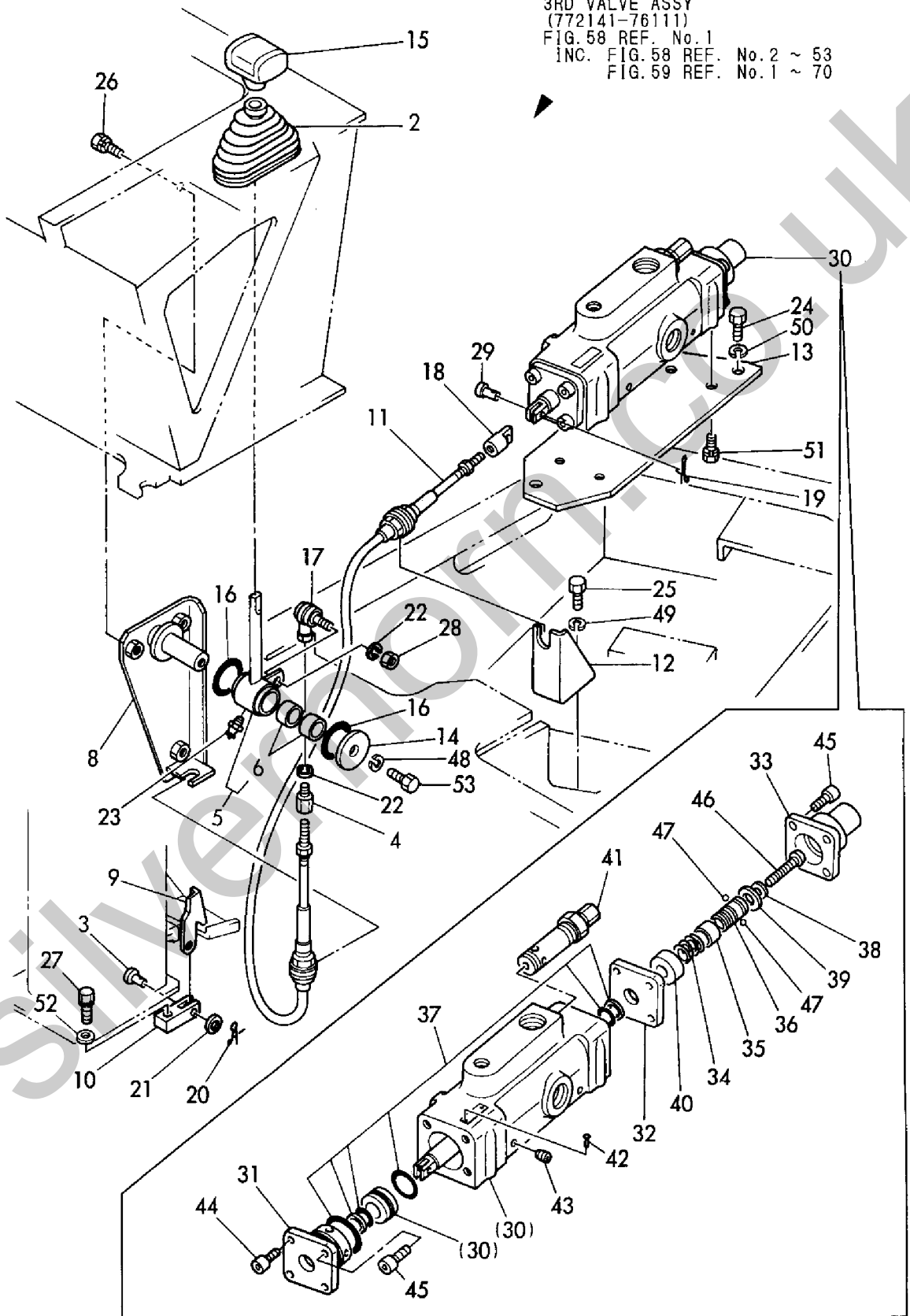
Fig. **57** クローラ (350) (オプション)  
CRAWLER (350) (OPTIONAL)



1,1,,772141-76111,, "VALVE ASSY, 3RD",1,1,,,,,1,,,,,  
2,2,,172141-41340,, BOOTS,1,1,,,,,  
3,2,,172112-41960,, "PIN 8X25.5",1,1,,,,,  
4,2,,172141-42960,, "JOINT, CABLE",1,1,,,,,  
5,2,,172141-43100,, "LEVER W/BUSH",1,1,,,,,  
6,3,,172141-41370,, "BUSH 2015",2,2,,,,,  
8,2,,172141-43120,, SHAFT,1,1,,,,,  
9,2,,172141-43150,, "HOOK, PEDAL",1,1,,,,,  
10,2,,172141-43160,, "BLACK, PEDAL LOCK",1,1,,,,,  
11,2,,172141-43180,, CABLE,1,1,,,,,  
12,2,,172141-43200,, "BRACKET, CABLE",1,1,,,,,  
13,2,,172141-43210,, BRACKET,1,1,,,,,  
14,2,,1A1040-45890,, "WASHER 10 36 4.5",1,1,,,,,  
15,2,,172116-45940,, "KNOB (C), LEVER",1,1,,,,,  
16,2,,172124-46200,, "O-RING 27X5.7",2,2,,,,,  
17,2,,172122-46590,, "ELBALL 8",1,1,,,,,  
18,2,,172116-46910,, "JOINT, SPOOL",1,1,,,,,  
19,2,,1C6281-52310,, "PIN 6, COME-OFF SNAP",1,1,,,,,  
20,2,,1C6281-52310,, "PIN 6, COME-OFF SNAP",1,1,,,,,  
21,2,,22137-080000,, "WASHER 8, POLISHED",1,1,,,,,  
22,2,,22217-080000,, "SPRING WASHER 8",2,2,,,,,  
23,2,,24761-020000,, "NIPPLE PT1/8, GREASE",1,1,,,,,  
24,2,,26116-100202,, "BOLT M10X 20 PLATED",3,3,,,,,  
25,2,,26116-100202,, "BOLT M10X 20 PLATED",2,2,,,,,  
26,2,,26013-100202,, "BOLT W/WASHER M10X20",3,3,,,,,  
27,2,,26013-100502,, "BOLT M10X 50",1,1,,,,,  
28,2,,26716-080002,, "NUT M 8",1,1,,,,,  
29,2,,933110-54100,, "PIN 4.75X14",1,1,,,,,  
30,2,,172141-74700,, "VALVE ASSY, SELECTOR",1,1,,,,,  
31,3,,172141-74790,, "PLATE, ADAPTER",1,1,,,,,  
32,3,,172141-74820,, PLATE,1,1,,,,,  
33,3,,172141-74830,, COVER,1,1,,,,,  
34,3,,172141-74840,, SPRING,1,1,,,,,  
35,3,,172141-74850,, "RETAINER, BALL",1,1,,,,,  
36,3,,172141-74860,, "SLEEVE, DETENT",1,1,,,,,  
37,3,,172141-74870,, "SEAL KIT",1,1,,,,,  
38,3,,172141-74890,, WASHER,1,1,,,,,  
39,3,,172141-74900,, GUIDE,1,1,,,,,  
40,3,,172141-74910,, SPACER,1,1,,,,,  
41,3,,172141-74920,, "VALVE, RELIEF",1,1,,,,,  
42,3,,172141-74930,, STUD,2,2,,,,,  
43,3,,172141-74950,, "PLUG 1/16",3,3,,,,,  
44,3,,26450-060162,, "BOLT M 6X 16",1,1,,,,,  
45,3,,26450-060202,, "BOLT M 6X 20",7,7,,,,,  
46,3,,26557-080502,, "SCREW M 8X 50",1,1,,,,,  
47,3,,24190-050002,, "BALL 5/32",2,2,,,,,  
48,2,,22217-100000,, "SPRING WASHER 10",1,1,,,,,  
49,2,,22217-100000,, "SPRING WASHER 10",2,2,,,,,  
50,2,,22217-100000,, "SPRING WASHER 10",3,3,,,,,  
51,2,,26013-080202,, "BOLT W/WASHER M8X20",4,4,,,,,  
52,2,,172110-51850,, SPACER,1,1,,,,,  
53,2,,26116-100202,, "BOLT M10X 20 PLATED",1,1,,,,,

Fig. 58 3RDバルブコントロール (オプション)  
3RD VALVE CONTROL (OPTIONAL)

3RDバルブASSY  
3RD VALVE ASSY  
(772141-76111)  
FIG. 58 REF. No. 1  
INC. FIG. 58 REF. No. 2 ~ 53  
FIG. 59 REF. No. 1 ~ 70



1,2,,172141-76090,,"CONNECTOR 3/4L",2,2,,,,,,,,,,,,,,,,,,,,,  
2,3,,24315-000240,,"O-RING 1B P-24.0",2,2,,,,,,,,,,,,,,,,,,,,,  
3,2,,172124-76160,,"CONNECTOR",2,2,,,,,,,,,,,,,,,,,,,,,  
4,2,,933166-25360,,"ELBOW 3/4 (90°)",1,1,,,,,,,,,,,,,,,,,,,,,  
5,2,,172141-76880,,"CONNECTOR 3/8L",2,2,,,,,,,,,,,,,,,,,,,,,  
6,3,,24315-000140,,"O-RING 1B P-14.0",2,2,,,,,,,,,,,,,,,,,,,,,  
7,2,,172141-76900,,"CONNECTOR 1/2L",2,2,,,,,,,,,,,,,,,,,,,,,  
8,3,,24315-000180,,"O-RING 1B P-18.0",2,2,,,,,,,,,,,,,,,,,,,,,  
9,2,,172141-76920,,"CONNECTOR 3/8-1/4L",1,1,,,,,,,,,,,,,,,,,,,,,  
10,3,,24315-000140,,"O-RING 1B P-14.0",1,1,,,,,,,,,,,,,,,,,,,,,  
11,2,,172141-76950,,"JOINT",1,1,,,,,,,,,,,,,,,,,,,,,  
12,2,,24315-000140,,"O-RING 1B P-14.0",2,2,,,,,,,,,,,,,,,,,,,,,  
13,2,,26013-100202,,"BOLT W/WASHER M10X20",2,2,,,,,,,,,,,,,,,,,,,,,  
14,2,,172141-78060,,"CLAMP",1,1,,,,,,,,,,,,,,,,,,,,,  
15,2,,172141-78720,,"SUPPORT",1,1,,,,,,,,,,,,,,,,,,,,,  
16,2,,172141-78750,,"COVER",1,1,,,,,,,,,,,,,,,,,,,,,  
17,2,,172141-78760,,"STAY",1,1,,,,,,,,,,,,,,,,,,,,,  
18,2,,933171-15680,,"GROMMET 40X13",2,2,,,,,,,,,,,,,,,,,,,,,  
19,2,,172141-79100,,"HOSE",1,1,,,,,,,,,,,,,,,,,,,,,  
20,3,,172141-79120,,"TUBE, SPIRAL",1,1,,,,,,,,,,,,,,,,,,,,,  
21,2,,172141-79130,,"HOSE",1,1,,,,,,,,,,,,,,,,,,,,,  
22,3,,172141-79150,,"TUBE, SPIRAL",1,1,,,,,,,,,,,,,,,,,,,,,  
23,2,,172141-79160,,"HOSE",1,1,,,,,,,,,,,,,,,,,,,,,  
24,3,,172141-79180,,"TUBE, SPIRAL",1,1,,,,,,,,,,,,,,,,,,,,,  
25,2,,172141-79190,,"HOSE",1,1,,,,,,,,,,,,,,,,,,,,,  
26,3,,172141-79210,,"TUBE, SPIRAL",1,1,,,,,,,,,,,,,,,,,,,,,  
27,2,,172141-79220,,"HOSE",1,1,,,,,,,,,,,,,,,,,,,,,  
28,3,,172141-79240,,"TUBE, SPIRAL",1,1,,,,,,,,,,,,,,,,,,,,,  
29,2,,172141-79250,,"HOSE",1,1,,,,,,,,,,,,,,,,,,,,,  
30,3,,172141-79270,,"TUBE, SPIRAL",1,1,,,,,,,,,,,,,,,,,,,,,  
31,2,,172141-79280,,"HOSE",1,1,,,,,,,,,,,,,,,,,,,,,  
32,3,,172141-79300,,"TUBE, SPIRAL",1,1,,,,,,,,,,,,,,,,,,,,,  
33,2,,172141-79310,,"HOSE",1,1,,,,,,,,,,,,,,,,,,,,,  
34,3,,172141-79330,,"TUBE, SPIRAL",1,1,,,,,,,,,,,,,,,,,,,,,  
35,2,,172141-79340,,"HOSE",1,1,,,,,,,,,,,,,,,,,,,,,  
36,3,,172141-79360,,"TUBE, SPIRAL",1,1,,,,,,,,,,,,,,,,,,,,,  
37,2,,172141-79370,,"HOSE",1,1,,,,,,,,,,,,,,,,,,,,,  
38,2,,172141-79380,,"HOSE",1,1,,,,,,,,,,,,,,,,,,,,,  
39,2,,933152-24410,,"CONNECTOR (A)",2,2,,,,,,,,,,,,,,,,,,,,,  
40,2,,172142-74310,,"NIPPLE",1,1,,,,,,,,,,,,,,,,,,,,,  
41,2,,172141-74430,,"O-RING",1,1,,,,,,,,,,,,,,,,,,,,,  
42,2,,933160-03530,,"PORT, PUMP EXH.",1,1,,,,,,,,,,,,,,,,,,,,,  
43,2,,933152-07400,,"O-RING (A)",1,1,,,,,,,,,,,,,,,,,,,,,  
44,2,,172732-76160,,"ELBOW",1,1,,,,,,,,,,,,,,,,,,,,,  
45,2,,172141-76990,,"BUSH 38-55, PIN",1,1,,,,,,,,,,,,,,,,,,,,,  
46,2,,172142-77100,,"VALVE, STOP",2,2,,,,,,,,,,,,,,,,,,,,,  
46-1,2,,172142-77101,,"STOP VALVE",2,2,,,,,R,,,,M10915,,M10915,,,,,  
47,3,,172142-77110,,"BODY, VALVE",2,2,,,,,Z,,,,M10915,,M10915,,,,,  
48,3,,172142-77120,,"RING, BACK UP",2,2,,,,,Z,,,,M10915,,M10915,,,,,  
49,3,,172142-77130,,"VALVE",2,2,,,,,Z,,,,M10915,,M10915,,,,,  
50,3,,172142-77140,,"RING, BACK UP",2,2,,,,,Z,,,,M10915,,M10915,,,,,  
51,3,,22242-000200,,"CIRCLIP 20",2,2,,,,,,,,,,,,,,,,,,,,,  
51-1,3,,22242-000300,,"CIRCLIP 30",2,2,,,,,S,,,,M10915,,M10915,,,,,  
52,3,,22351-040010,,"SPRING PIN 4X10",2,2,,,,,Z,,,,M10915,,M10915,,,,,  
53,3,,24315-000160,,"O-RING 1B P-16.0",4,4,,,,,Z,,,,M10915,,M10915,,,,,  
54,3,,24315-000200,,"O-RING 1B P-20.0",2,2,,,,,Z,,,,M10915,,M10915,,,,,  
54A,3,,172142-77150,,"SEAL SET",2,2,,,,,W,,,,M10915,,M10915,,,,,  
55,2,,23871-040000,,"PLUG PT1/2,SCREW",2,2,,,,,,,,,,,,,,,,,,,,,  
56,2,,172160-76500,,"TUBE(A), 3RD",1,1,,,,,,,,,,,,,,,,,,,,,  
57,2,,172112-76300,,"RETAINER A,BOOM PIPE",1,1,,,,,,,,,,,,,,,,,,,,,  
58,2,,172160-76520,,"TUBE (B), 3RD",1,1,,,,,,,,,,,,,,,,,,,,,  
59,2,,172142-76800,,"PIPE(C), 3RD",1,1,,,,,,,,,,,,,,,,,,,,,  
60,2,,172142-76850,,"PIPE(D), 3RD",1,1,,,,,,,,,,,,,,,,,,,,,

61,2,,172142-76950,, "CLAMP 1/2",4,4,,,,,,,,,,,,,,,,,,,,,  
62,2,,26013-100452,, "BOLT M10X 45",1,1,,,,,,,,,,,,,,,,,,,,,  
63,2,,26013-120302,, "BOLT W/WASHER M12X30",4,4,,,,,,,,,,,,,,,,,,,,,  
64,2,,26013-120452,, "BOLT M12X 45",4,4,,,,,,,,,,,,,,,,,,,,,  
65,2,,172142-78860,, HOSE,1,1,,,,,,,,,,,,,,,,,,,,,  
66,2,,172142-78870,, HOSE,1,1,,,,,,,,,,,,,,,,,,,,,  
67,2,,172141-81560,, "STAY C(M12,3RD VALVE",2,2,,,,,,,,,,,,,,,,,,,,,  
68,2,,172160-81310,, PLATE,1,1,,,,,,,,,,,,,,,,,,,,,  
69,2,,172142-81720,, "STAY ASSY",2,2,,,,,,,,,,,,,,,,,,,,,  
70,2,,172142-81740,, "SEAT, SCREW",4,4,,,,,,,,,,,,,,,,,,,,,

Silverhorn.CO.UK

Fig. 59 3RDバルブ配管 (オプション)  
3RD VALVE PIPING (OPTIONAL)

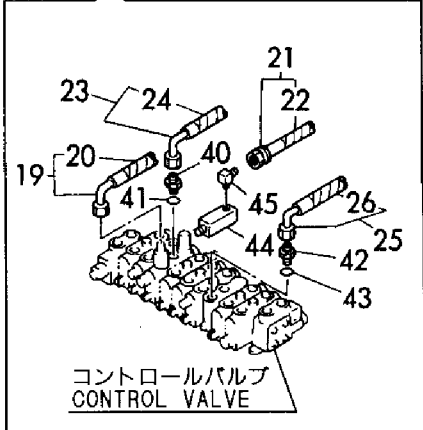
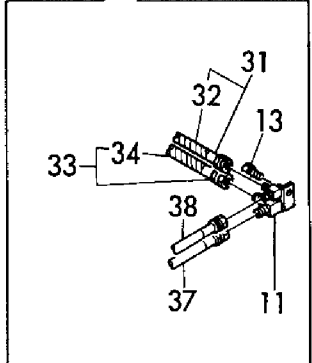
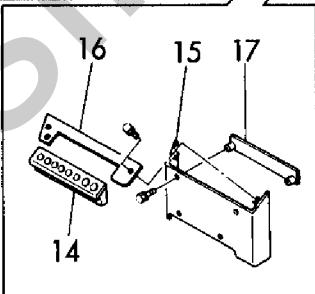
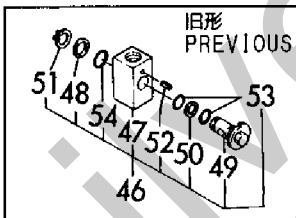
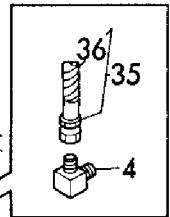
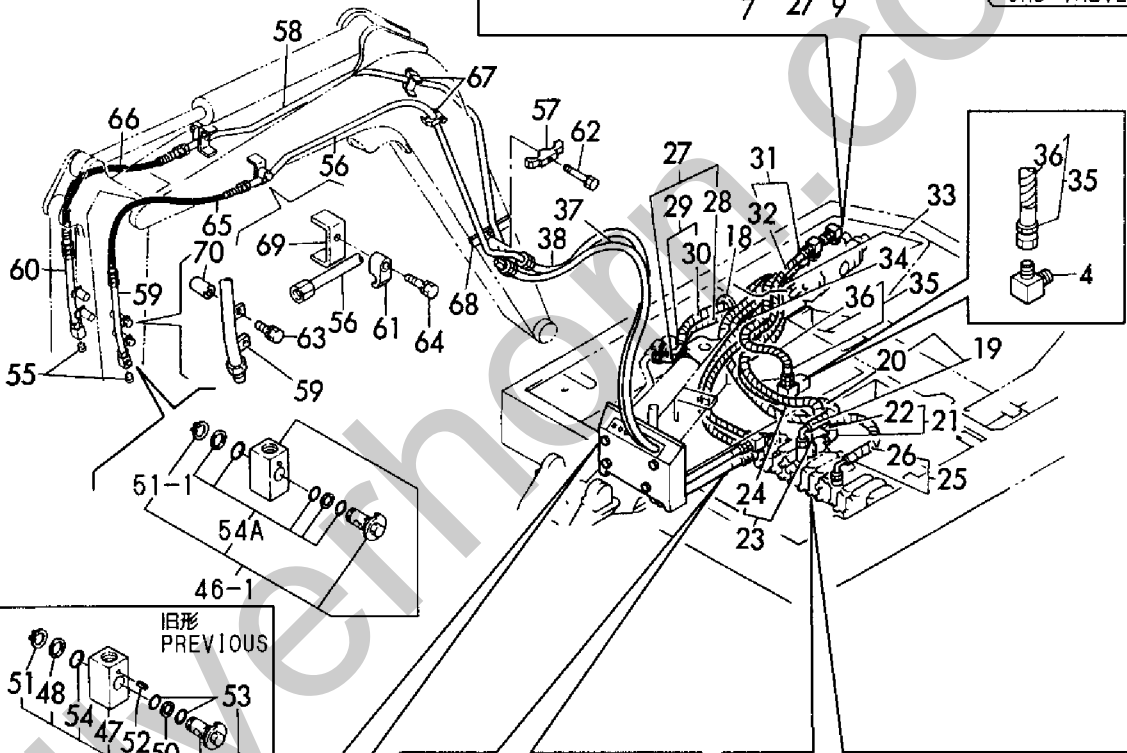
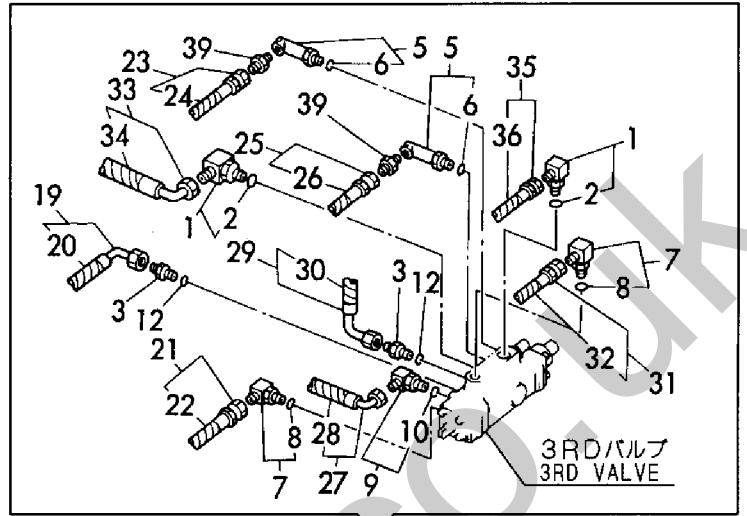
3RDバルブASSY  
3RD VALVE ASSY

(772141-76111)

FIG. 58 REF. No. 1

INC. FIG. 58 REF. No. 2 ~ 53

FIG. 59 REF. No. 1 ~ 70

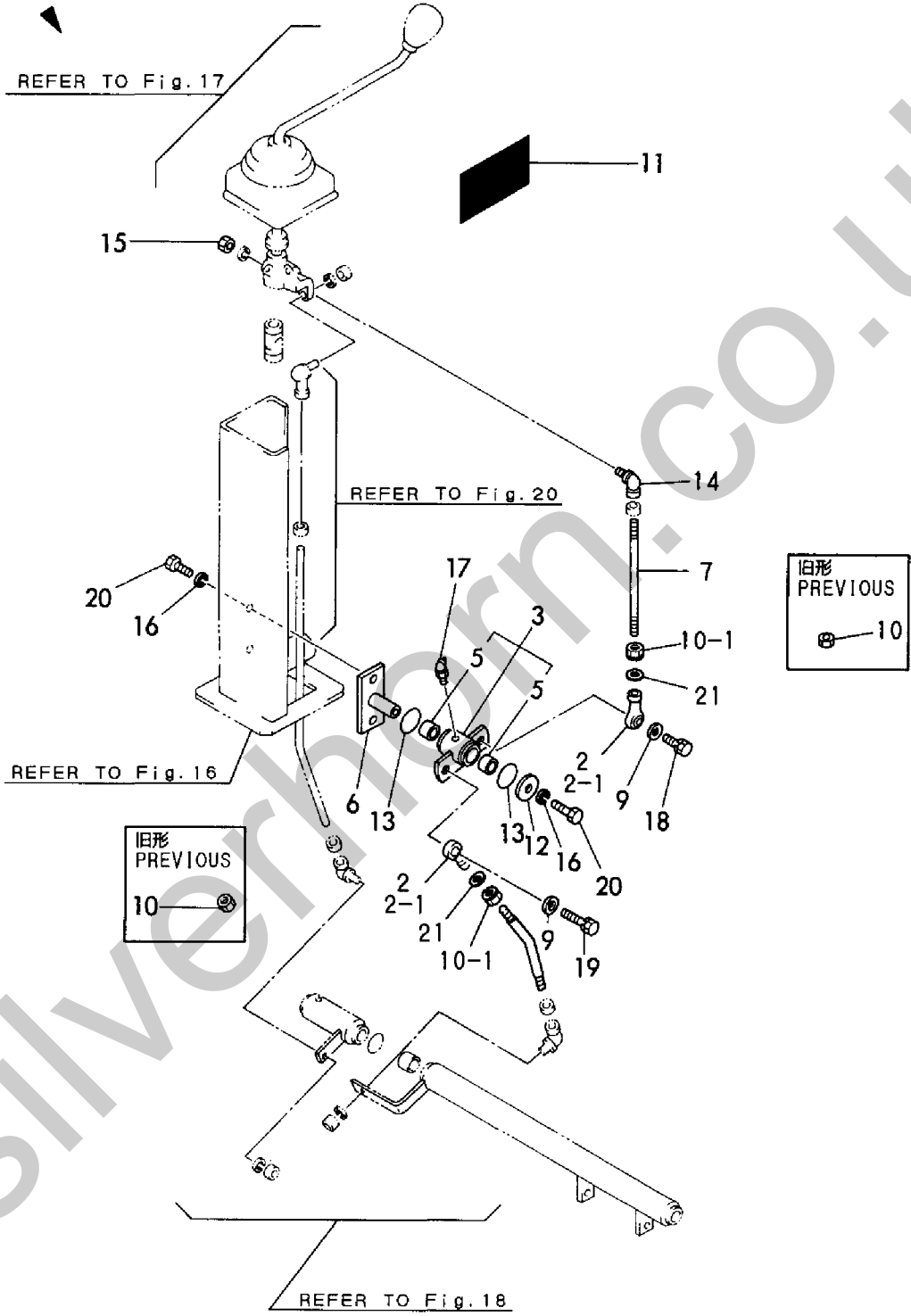


1,1,,772141-45210,, "LINK ASSY",1,1,,,,,,,,,,,,,  
1-1,1,,772141-45211,, "LINK ASSY",1,1,,,,,N,,M10687,,M10687,,,,,  
2,2,,172122-46570,, "ROD-END 8",2,2,,,,,,,,,,,,,  
2-1,2,,172122-46571,, "ROD-END 8",2,2,,,,,N,,M10501,,M10501,,,,,  
3,2,,172142-45800,,LINK,1,1,,,,,,,,,,,,,  
5,3,,172141-41370,, "BUSH 2015",2,2,,,,,,,,,,,,,  
6,2,,172142-45840,, "SHIFT, D-PATTERN",1,1,,,,,,,,,,,,,  
7,2,,172142-45870,,ROD,1,1,,,,,,,,,,,,,  
8,2,,172141-43310,,ROD(D2),1,1,,,,,,,,,,,,,  
9,2,,22137-080000,, "WASHER 8, POLISHED",2,2,,,,,,,,,,,,,  
10,2,,26716-080002,, "NUT M 8",2,2,,,,,,,,,,,,,  
10-1,2,,26051-080002,, "NUT M 8",2,2,,,,,N,,M10687,,M10687,,,,,  
11,2,,172141-03390,,LABEL,1,1,,,,,,,,,,,,,  
12,2,,1A1040-45890,, "WASHER 10 36 4.5",1,1,,,,,,,,,,,,,  
13,2,,172124-46200,, "O-RING 27X5.7",2,2,,,,,,,,,,,,,  
14,2,,172734-41300,, "BALL, LINK",1,1,,,,,,,,,,,,,  
15,2,,194200-37780,, "LS-NUT 8",1,1,,,,,,,,,,,,,  
16,2,,22217-100000,, "SPRING WASHER 10",3,3,,,,,,,,,,,,,  
17,2,,24761-040000,, "NIPPLE B,GREASE",1,1,,,,,,,,,,,,,  
18,2,,26013-080302,, "BOLT M 8X 30",1,1,,,,,,,,,,,,,  
19,2,,26013-080402,, "BOLT M 8X 40",1,1,,,,,,,,,,,,,  
20,2,,26116-100202,, "BOLT M10X 20 PLATED",3,3,,,,,,,,,,,,,  
21,1,,22137-080000,, "WASHER 8, POLISHED",2,2,,,,,W,,M10687,,M10687,,,,,

Silverhorn.CO.UK

# Fig. 60 Dパターンリンク (オプション) D-PATTERN LINK (OPTIONAL)

見出しNo. 1, 1-1は、見出しNo. 2, 2-1から21を含みます。  
1, 1-1 inc. 2, 2-1 ~ 21

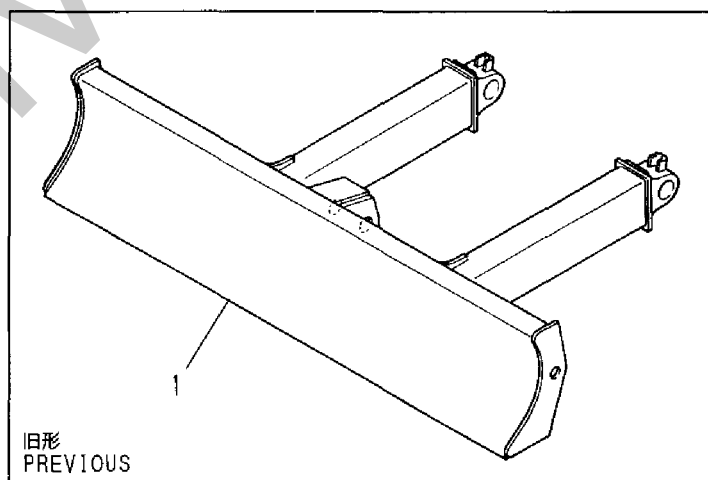
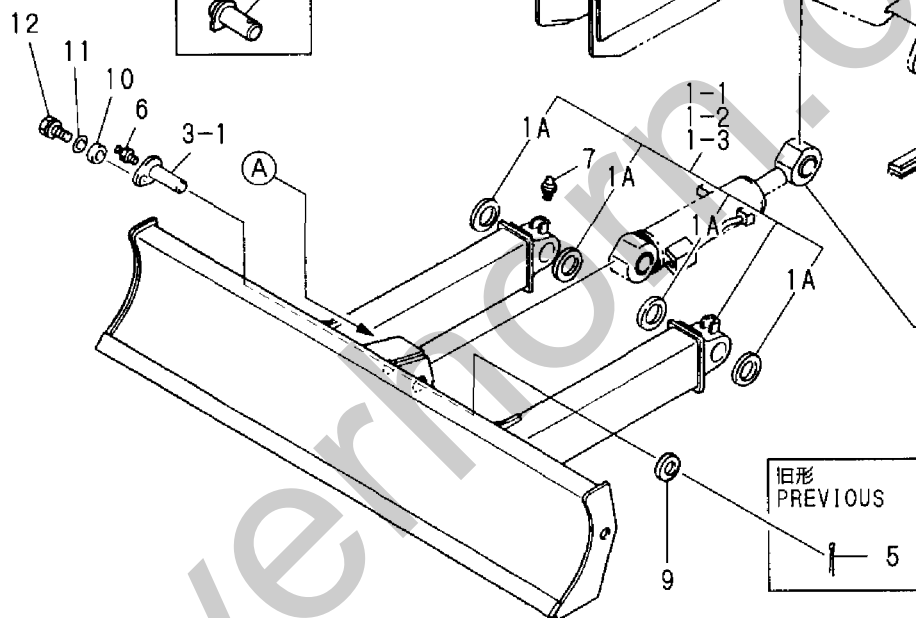
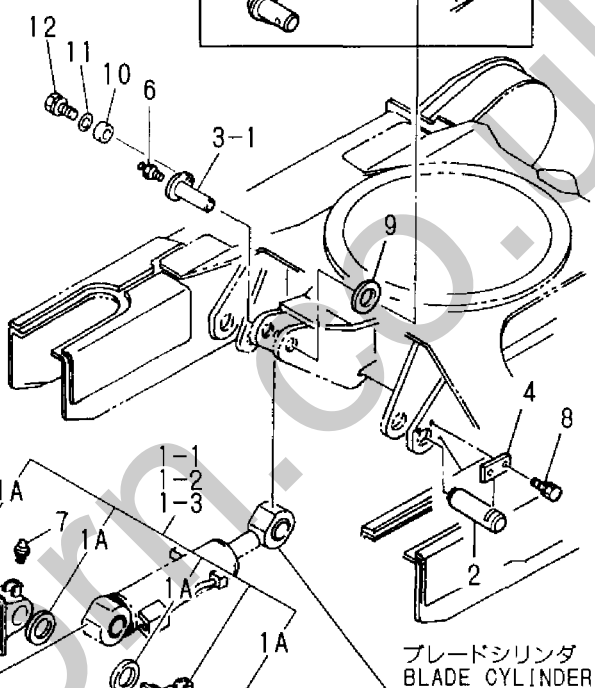
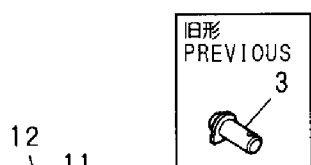
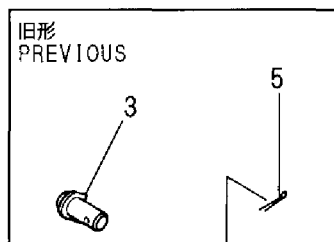
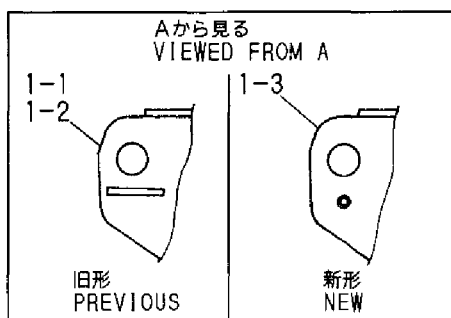




1,1,,172141-94100,, "BLADE ASSY, 850",1,1,,,,,,,,,,,,,  
1-1,1,,172141-94101,, "BLADE ASSY, 850",1,1,,,,,N,,M10501,,M10501,,,,,  
1-2,1,,172141-94102,, "BLADE ASSY, 850",1,1,,,,,N,,M10915,,M10915,,,,,  
1-3,1,,172141-94103,, "BLADE 850 COMPL.",1,1,,,,,S,,M10915,,M10915,,,,,  
1A,2,,172168-81270,, "SEAL,DUST 38X50X4",4,4,,,,,W,,M10915,,M10915,,,,,  
2,1,,172141-94260,, "PIN 38-130",2,2,,,,,,,,,,,,,  
3,1,,172141-94270,, "PIN 38-90",2,2,,,,,,,,,,,,,  
3-1,1,,172141-94271,, "PIN 38-94",2,2,,,,,S,,M10915,,M10915,,,,,  
4,1,,172124-94310,, "PLATE, LOCK",2,2,,,,,,,,,,,,,  
5,1,,22417-800560,, "COTTER PIN 8.0X 56",2,2,,,,,Z,,M10915,,M10915,,,,,  
6,1,,24761-020000,, "NIPPLE PT1/8,GREASE",2,2,,,,,,,,,,,,,  
7,1,,24761-040000,, "NIPPLE B,GREASE",2,2,,,,,,,,,,,,,  
8,1,,26013-100252,, "BOLT W/WASHER M10X25",4,4,,,,,,,,,,,,,  
9,1,,933171-29750,, "SHIM SET, PIN 38",2,2,,,,,,,,,,,,,  
10,1,,172164-81670,, "SPACER",2,2,,,,,W,,M10915,,M10915,,,,,  
11,1,,22157-120000,, "WASHER 12",2,2,,,,,W,,M10915,,M10915,,,,,  
12,1,,26013-120302,, "BOLT W/WASHER M12X30",2,2,,,,,W,,M10915,,M10915,,,,,

Silverhorn.CO.UK

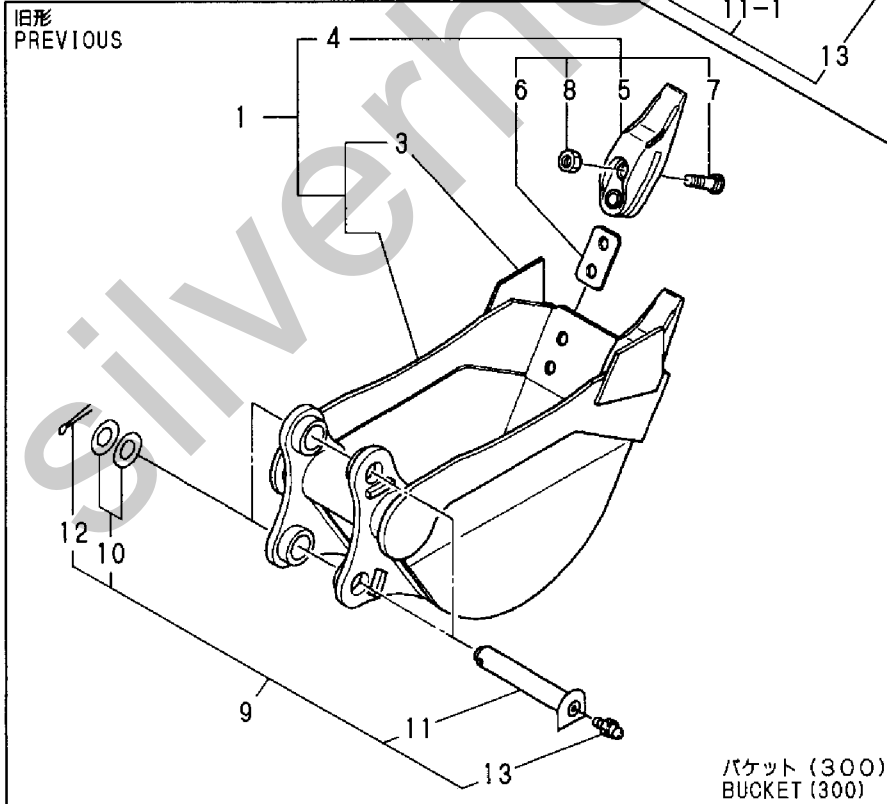
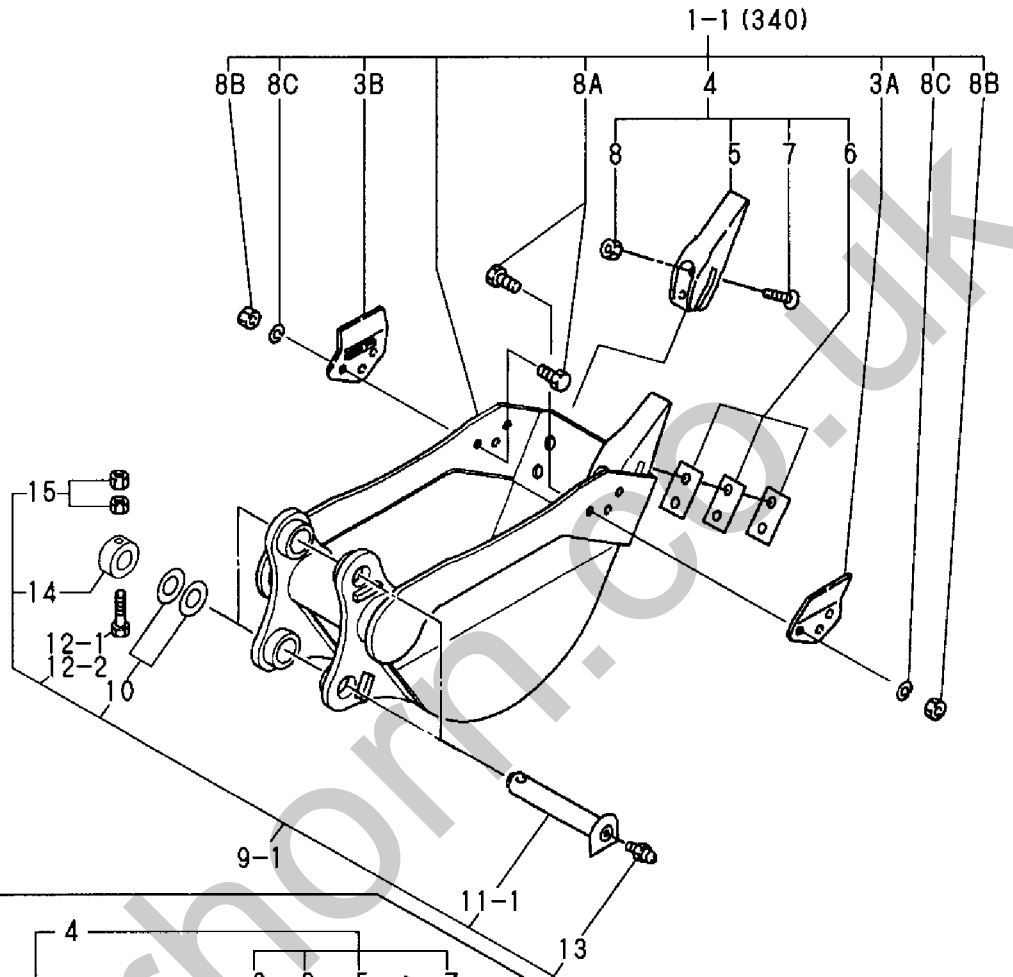
Fig. 61 ブレード (850) (アタッチメント)  
 BLADE (850) (ATTACHMENT)



1,1,,772122-81421,, "BUCKET ASSY (340)",1,1,,,,,,,,,,,,,  
1-1,1,,772122-81422,, "BUCKET ASSY 340",1,1,,,,,N,,M10915,,M10915,,,,,  
3,3,,172116-86240,, "SIDE CUTTER, BUCKET",2,2,,,,,Z,,M10915,,M10915,,,,,  
3A,2,,172142-86150,, "CUTTER (L), SIDE",1,1,,,,,W,,M10915,,M10915,,,,,  
3B,2,,172142-86160,, "CUTTER (R), SIDE",1,1,,,,,W,,M10915,,M10915,,,,,  
4,2,,772122-86123,, "TEETH ASSY",2,2,,,,,,,,,,,,,  
5,3,,172113-86123,, "TEETH",2,2,,,,,,,,,,,,,  
6,3,,172137-86710,, "TEETH SHIM 17 SET",2,2,,,,,,,,,,,,,  
7,3,,172142-81380,, "BOLT",4,4,,,,,,,,,,,,,  
8,3,,172142-81390,, "NUT",4,4,,,,,,,,,,,,,  
8A,2,,172142-86280,, "BOLT M14X 40",6,6,,,,,W,,M10915,,M10915,,,,,  
8B,2,,172142-86290,, "NUT 14",6,6,,,,,W,,M10915,,M10915,,,,,  
8C,2,,22217-140000,, "SPRING WASHER 14",6,6,,,,,W,,M10915,,M10915,,,,,  
9,1,,172142-99450,, "PIN KIT, BUCKET",2,2,,,,,,,,,,,,,  
9-1,1,,172164-81950,, "PIN KIT, BUCKET",2,2,,,,,N,,M10915,,M10915,,,,,  
10,2,,933171-29751,, "SHIM SET,38X(0.8,1.2)",2,2,,,,,,,,,,,,,  
11,2,,172122-86261,, "PIN, BUCKET",2,2,,,,,,,,,,,,,  
11-1,2,,172164-81630,, "PIN",2,2,,,,,S,,M10915,,M10915,,,,,  
12,2,,22417-800500,, "COTTER PIN 8.0X50",2,2,,,,,,,,,,,,,  
12-1,2,,26116-100702,, "BOLT M10X 70 PLATED",2,2,,,,,S,,M10915,,M10915,,,,,  
12-2,2,,26116-100652,, "BOLT M10X 65 PLATED",2,2,,,,,N,,M10915,,M10915,,,,,  
13,2,,24761-020000,, "NIPPLE PT1/8,GREASE",2,2,,,,,,,,,,,,,  
14,2,,172164-81700,, "COLLAR",2,2,,,,,W,,M10915,,M10915,,,,,  
15,2,,26716-100002,, "NUT M10",4,4,,,,,W,,M10915,,M10915,,,,,



Fig. 62 バケツ (340) (アタッチメント)  
 BUCKET (340) (ATTACHMENT)

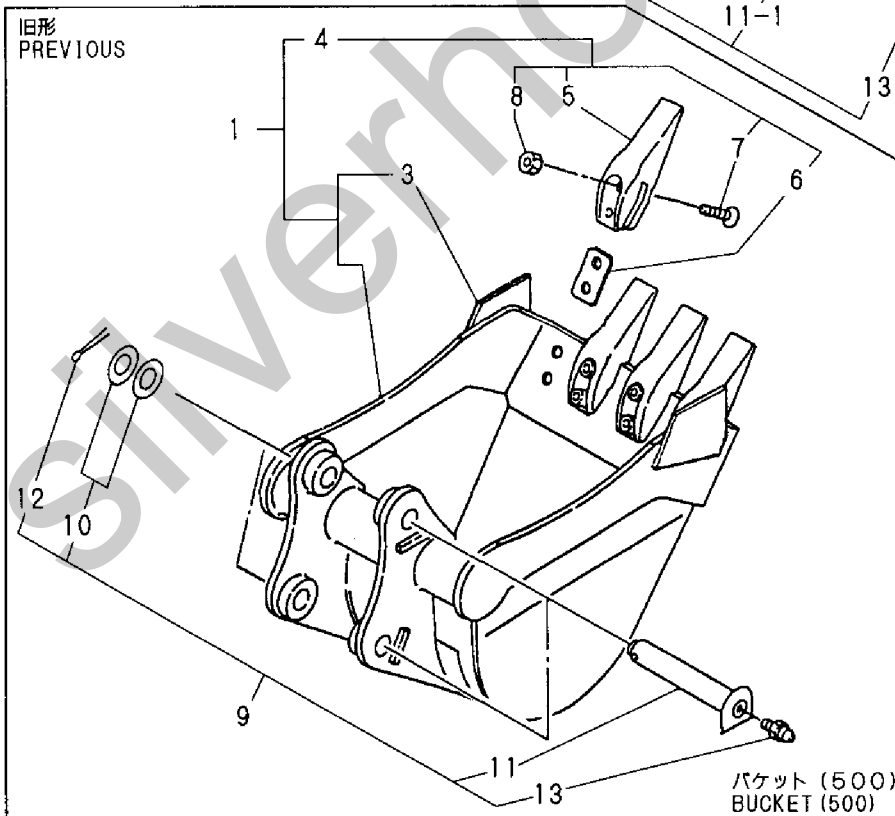
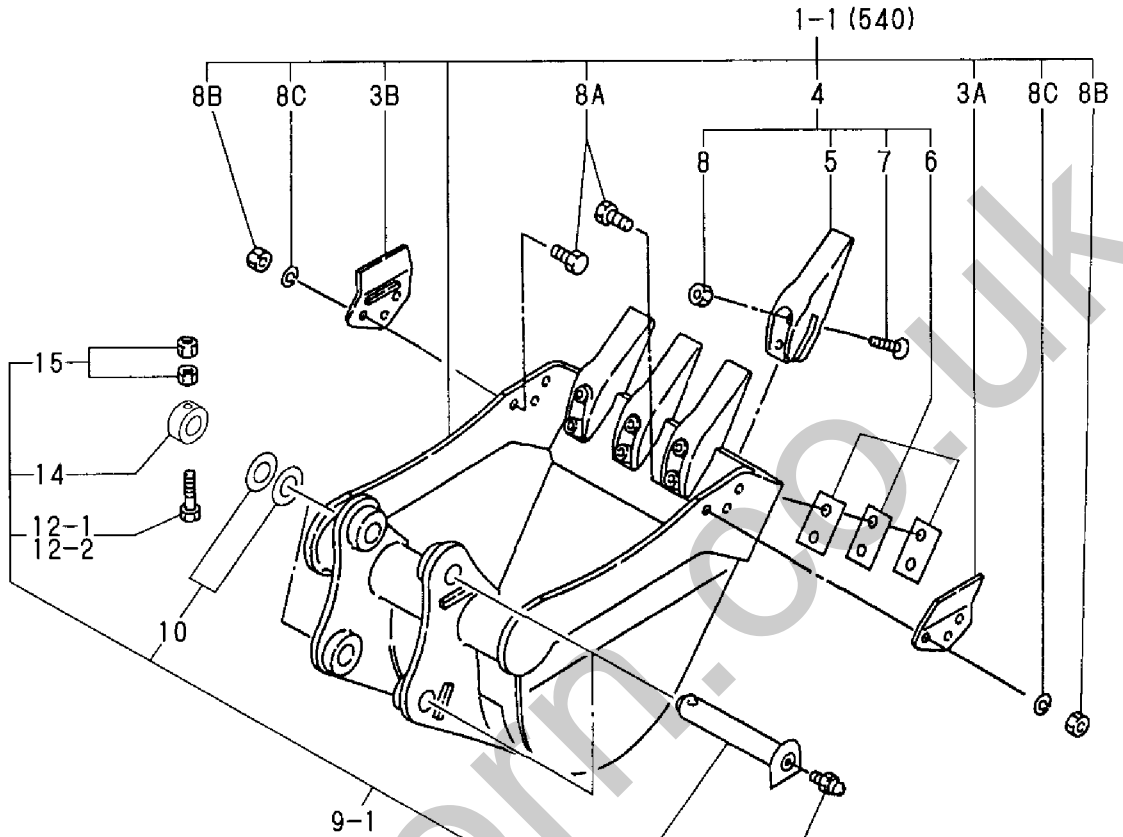


バケツ (300)  
 BUCKET (300)

1,1,,772122-81411,, "BUCKET ASSY 500",1,1,,,,,,,,,,,,,  
1-1,1,,772122-81412,, "BUCKET ASSY (540)",1,1,,,,,N,,M10915,,M10915,,,,,  
3,3,,172116-86240,, "SIDE CUTTER, BUCKET",2,2,,,,,Z,,M10915,,M10915,,,,,  
3A,2,,172142-86150,, "CUTTER (L), SIDE",1,1,,,,,W,,M10915,,M10915,,,,,  
3B,2,,172142-86160,, "CUTTER (R), SIDE",1,1,,,,,W,,M10915,,M10915,,,,,  
4,2,,772122-86123,, "TEETH ASSY",4,4,,,,,,,,,,,,,  
5,3,,172113-86123,, TEETH,4,4,,,,,,,,,,,,,  
6,3,,172137-86710,, "TEETH SHIM 17 SET",4,4,,,,,,,,,,,,,  
7,3,,172142-81380,, BOLT,8,8,,,,,,,,,,,,,  
8,3,,172142-81390,, NUT,8,8,,,,,,,,,,,,,  
8A,2,,172142-86280,, "BOLT M14X 40",6,6,,,,,W,,M10915,,M10915,,,,,  
8B,2,,172142-86290,, "NUT 14",6,6,,,,,W,,M10915,,M10915,,,,,  
8C,2,,22217-140000,, "SPRING WASHER 14",6,6,,,,,W,,M10915,,M10915,,,,,  
9,1,,172142-99450,, "PIN KIT, BUCKET",2,2,,,,,,,,,,,,,  
9-1,1,,172164-81950,, "PIN KIT, BUCKET",2,2,,,,,N,,M10915,,M10915,,,,,  
10,2,,933171-29751,, "SHIM SET,38X(0.8,1.2)",2,2,,,,,,,,,,,,,  
11,2,,172122-86261,, "PIN, BUCKET",2,2,,,,,,,,,,,,,  
11-1,2,,172164-81630,, PIN,2,2,,,,,S,,M10915,,M10915,,,,,  
12,2,,22417-800500,, "COTTER PIN 8.0X50",2,2,,,,,,,,,,,,,  
12-1,2,,26116-100702,, "BOLT M10X 70 PLATED",2,2,,,,,S,,M10915,,M10915,,,,,  
12-2,2,,26116-100652,, "BOLT M10X 65 PLATED",2,2,,,,,N,,M10915,,M10915,,,,,  
13,2,,24761-020000,, "NIPPLE PT1/8,GREASE",2,2,,,,,,,,,,,,,  
14,2,,172164-81700,, COLLAR,2,2,,,,,W,,M10915,,M10915,,,,,  
15,2,,26716-100002,, "NUT M10",4,4,,,,,W,,M10915,,M10915,,,,,



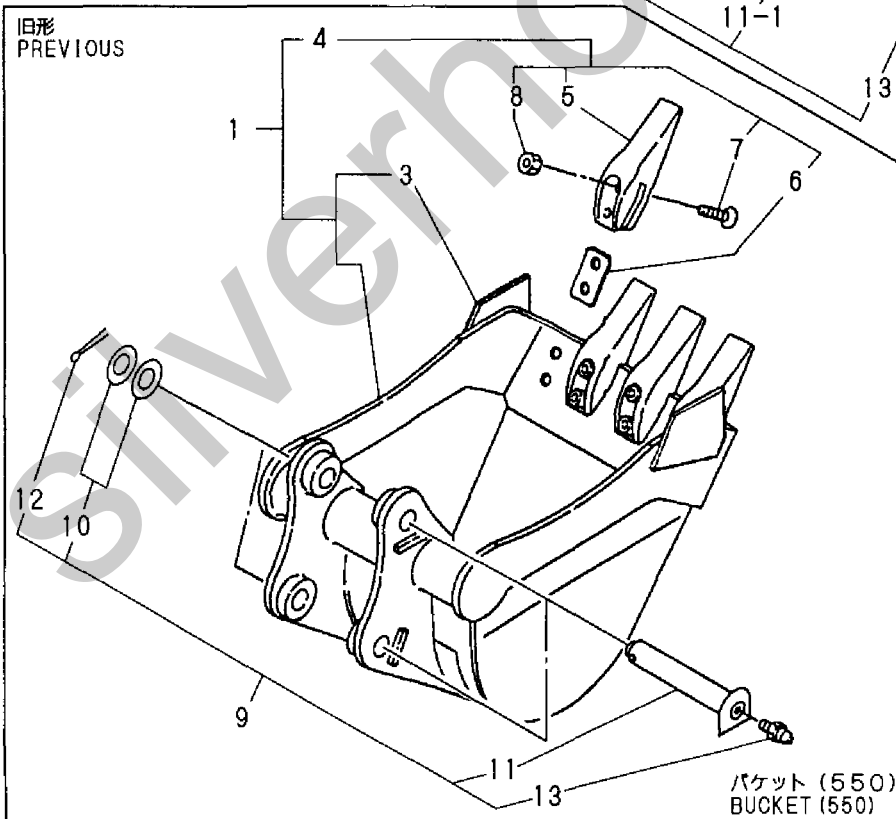
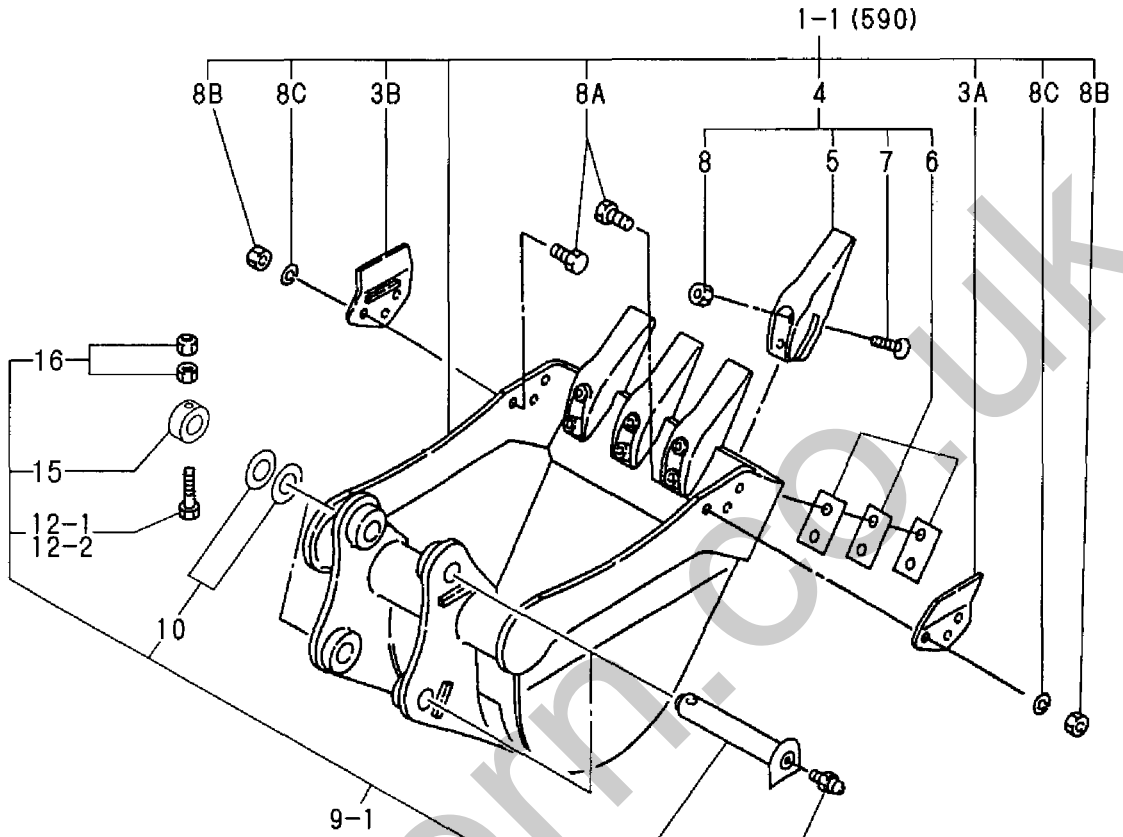
Fig. 63 バケット (540) (アタッチメント)  
 BUCKET (540) (ATTACHMENT)



1,1,,772122-81431,, "BUCKET ASSY 550",1,1,,,,,,,,,,,,,  
1-1,1,,772122-81432,, "BUCKET ASSY 590",1,1,,,,,N,,M10915,,M10915,,,,,  
3,3,,172116-86240,, "SIDE CUTTER, BUCKET",2,2,,,,,Z,,M10915,,M10915,,,,,  
3A,2,,172142-86150,, "CUTTER (L), SIDE",1,1,,,,,W,,M10915,,M10915,,,,,  
4,2,,772122-86123,, "TEETH ASSY",4,4,,,,,,,,,,,,,  
5,3,,172113-86123,, TEETH,4,4,,,,,,,,,,,,,  
6,3,,172137-86710,, "TEETH SHIM 17 SET",4,4,,,,,,,,,,,,,  
7,3,,172142-81380,, BOLT,8,8,,,,,,,,,,,,,  
8,3,,172142-81390,, NUT,8,8,,,,,,,,,,,,,  
8A,2,,172142-86280,, "BOLT M14X 40",6,6,,,,,W,,M10915,,M10915,,,,,  
8B,2,,172142-86290,, "NUT 14",6,6,,,,,W,,M10915,,M10915,,,,,  
8C,2,,22217-140000,, "SPRING WASHER 14",6,6,,,,,W,,M10915,,M10915,,,,,  
9,1,,172142-99450,, "PIN KIT, BUCKET",2,2,,,,,,,,,,,,,  
9-1,1,,172164-81950,, "PIN KIT, BUCKET",2,2,,,,,N,,M10915,,M10915,,,,,  
10,2,,933171-29751,, "SHIM SET,38X(0.8,1.2)",2,2,,,,,,,,,,,,,  
11,2,,172122-86261,, "PIN, BUCKET",2,2,,,,,,,,,,,,,  
11-1,2,,172164-81630,, PIN,2,2,,,,,S,,M10915,,M10915,,,,,  
12,2,,22417-800500,, "COTTER PIN 8.0X50",2,2,,,,,,,,,,,,,  
12-1,2,,26116-100702,, "BOLT M10X 70 PLATED",2,2,,,,,S,,M10915,,M10915,,,,,  
12-2,2,,26116-100652,, "BOLT M10X 65 PLATED",2,2,,,,,N,,M10915,,M10915,,,,,  
13,2,,24761-020000,, "NIPPLE PT1/8,GREASE",2,2,,,,,,,,,,,,,  
15,2,,172164-81700,, COLLAR,2,2,,,,,W,,M10915,,M10915,,,,,  
16,2,,26716-100002,, "NUT M10",4,4,,,,,W,,M10915,,M10915,,,,,

Silverhorn.co.uk

Fig. 64 バケット (590) (アタッチメント)  
 BUCKET (590) (ATTACHMENT)





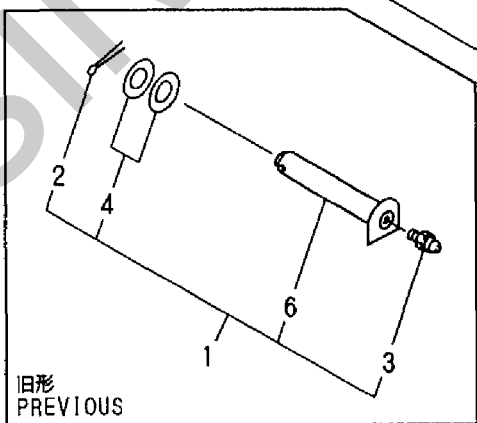
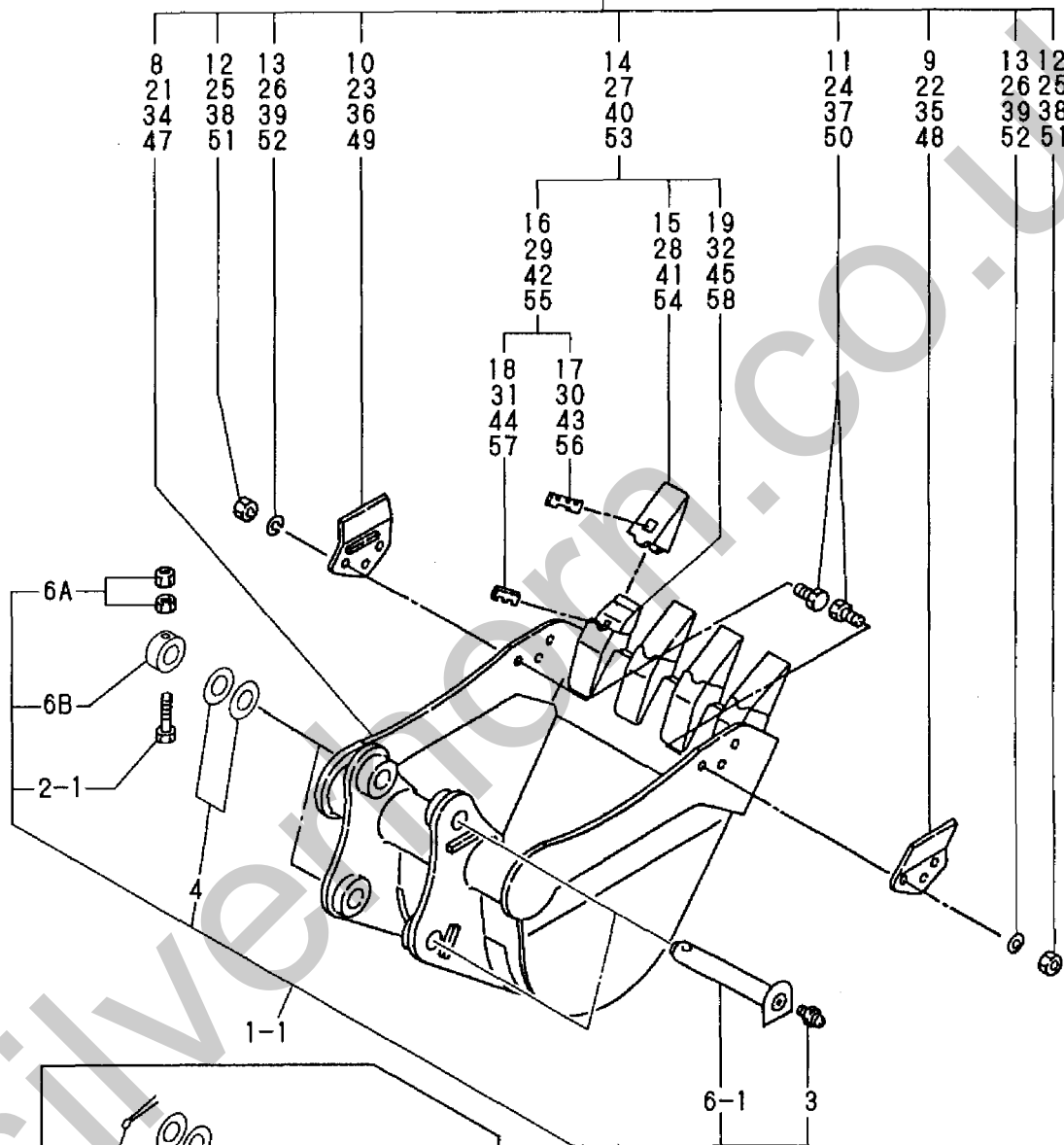
1,1,,172142-99450,,"PIN KIT, BUCKET",2,2,,,,,,,,,,,,,,,,,  
1-1,1,,172164-81950,,"PIN KIT, BUCKET",2,2,,,,,N,,M10915,,M10915,,,,,  
2,2,,22417-800500,,"COTTER PIN 8.0X50",2,2,,,,,,,,,,,,,,,,,  
2-1,2,,26116-100702,,"BOLT M10X 70 PLATED",2,2,,,,,S,,M10915,,M10915,,,,,  
2-2,2,,26116-100652,,"BOLT M10X 65 PLATED",2,2,,,,,N,,M10915,,M10915,,,,,  
3,2,,24761-020000,,"NIPPLE PT1/8,GREASE",2,2,,,,,,,,,,,,,,,,,  
4,2,,933171-29751,,"SHIM SET,38X(0.8,1.2",2,2,,,,,,,,,,,,,,,,,  
6,2,,172122-86261,,"PIN, BUCKET",2,2,,,,,,,,,,,,,,,,,  
6-1,2,,172164-81630,,"PIN,2,2,,,,,S,,M10915,,M10915,,,,,  
6A,2,,26716-100002,,"NUT M10",4,4,,,,,W,,M10915,,M10915,,,,,  
6B,2,,172164-81700,,"COLLAR,2,2,,,,,W,,M10915,,M10915,,,,,  
7,1,,172142-86300,,"BUCKET ASSY 340S",1,1,,,,,,,,,,,,,,,,,  
8,2,,172142-86310,,"BUCKET ASSY 340S",1,1,,,,,,,,,,,,,,,,,  
9,2,,172142-86150,,"CUTTER (L), SIDE",1,1,,,,,,,,,,,,,,,,,  
10,2,,172142-86160,,"CUTTER (R), SIDE",1,1,,,,,,,,,,,,,,,,,  
11,2,,172142-86280,,"BOLT M14X 40",6,6,,,,,,,,,,,,,,,,,  
12,2,,172142-86290,,"NUT 14",6,6,,,,,,,,,,,,,,,,,  
13,2,,22217-140000,,"SPRING WASHER 14",6,6,,,,,,,,,,,,,,,,,  
14,2,,772142-86140,,"TEETH ASSY",2,2,,,,,,,,,,,,,,,,,  
15,3,,172151-81600,,"POINT,2,2,,,,,,,,,,,,,,,,,  
16,3,,172151-81620,,"PIN ASSY, LOCK",2,2,,,,,,,,,,,,,,,,,  
17,4,,172151-81630,,"PIN,2,2,,,,,,,,,,,,,,,,,  
18,4,,172151-81640,,"LOCK,RUBBER BIN",2,2,,,,,,,,,,,,,,,,,  
19,3,,172142-86140,,"ADAPTER 16",2,2,,,,,,,,,,,,,,,,,  
20,1,,172142-86100,,"BUCKET(490S)(GREEN),1,1,,,,,,,,,,,,,,,,,  
20-1,1,,172142-86101,,"BUCKET(490S)(GREEN),1,1,,,,,N,,M10915,,M10915,,,,,  
21,2,,172142-86110,,"BUCKET(490S)(GREEN),1,1,,,,,,,,,,,,,,,,,  
21-1,2,,172142-86111,,"BUCKET(490S)(GREEN),1,1,,,,,N,,M10915,,M10915,,,,,  
22,2,,172142-86150,,"CUTTER (L), SIDE",1,1,,,,,,,,,,,,,,,,,  
23,2,,172142-86160,,"CUTTER (R), SIDE",1,1,,,,,,,,,,,,,,,,,  
24,2,,172142-86280,,"BOLT M14X 40",6,6,,,,,,,,,,,,,,,,,  
25,2,,172142-86290,,"NUT 14",6,6,,,,,,,,,,,,,,,,,  
26,2,,22217-140000,,"SPRING WASHER 14",6,6,,,,,,,,,,,,,,,,,  
27,2,,772142-86140,,"TEETH ASSY",4,4,,,,,,,,,,,,,,,,,  
27-1,2,,772142-86140,,"TEETH ASSY",3,3,,,,,K,,M10915,,M10915,,,,,  
28,3,,172151-81600,,"POINT,4,4,,,,,,,,,,,,,,,,,  
28-1,3,,172151-81600,,"POINT,3,3,,,,,K,,M10915,,M10915,,,,,  
29,3,,172151-81620,,"PIN ASSY, LOCK",4,4,,,,,,,,,,,,,,,,,  
29-1,3,,172151-81620,,"PIN ASSY, LOCK",3,3,,,,,K,,M10915,,M10915,,,,,  
30,4,,172151-81630,,"PIN,4,4,,,,,,,,,,,,,,,,,  
30-1,4,,172151-81630,,"PIN,3,3,,,,,K,,M10915,,M10915,,,,,  
31,4,,172151-81640,,"LOCK,RUBBER BIN",4,4,,,,,,,,,,,,,,,,,  
31-1,4,,172151-81640,,"LOCK,RUBBER BIN",3,3,,,,,K,,M10915,,M10915,,,,,  
32,3,,172142-86140,,"ADAPTER 16",4,4,,,,,,,,,,,,,,,,,  
32-1,3,,172142-86140,,"ADAPTER 16",3,3,,,,,K,,M10915,,M10915,,,,,  
33,1,,172142-86200,,"BUCKET ASSY 540S",1,1,,,,,,,,,,,,,,,,,  
34,2,,172142-86210,,"BUCKET ASSY 540S",1,1,,,,,,,,,,,,,,,,,  
35,2,,172142-86150,,"CUTTER (L), SIDE",1,1,,,,,,,,,,,,,,,,,  
36,2,,172142-86160,,"CUTTER (R), SIDE",1,1,,,,,,,,,,,,,,,,,  
37,2,,172142-86280,,"BOLT M14X 40",6,6,,,,,,,,,,,,,,,,,  
38,2,,172142-86290,,"NUT 14",6,6,,,,,,,,,,,,,,,,,  
39,2,,22217-140000,,"SPRING WASHER 14",6,6,,,,,,,,,,,,,,,,,  
40,2,,772142-86140,,"TEETH ASSY",4,4,,,,,,,,,,,,,,,,,  
41,3,,172151-81600,,"POINT,4,4,,,,,,,,,,,,,,,,,  
42,3,,172151-81620,,"PIN ASSY, LOCK",4,4,,,,,,,,,,,,,,,,,  
43,4,,172151-81630,,"PIN,4,4,,,,,,,,,,,,,,,,,  
44,4,,172151-81640,,"LOCK,RUBBER BIN",4,4,,,,,,,,,,,,,,,,,  
45,3,,172142-86140,,"ADAPTER 16",4,4,,,,,,,,,,,,,,,,,  
46,1,,172142-86350,,"BUCKET ASSY 590S",1,1,,,,,,,,,,,,,,,,,  
47,2,,172142-86360,,"BUCKET ASSY 590S",1,1,,,,,,,,,,,,,,,,,  
48,2,,172142-86150,,"CUTTER (L), SIDE",1,1,,,,,,,,,,,,,,,,,  
49,2,,172142-86160,,"CUTTER (R), SIDE",1,1,,,,,,,,,,,,,,,,,  
50,2,,172142-86280,,"BOLT M14X 40",6,6,,,,,,,,,,,,,,,,

51,2,,172142-86290,, "NUT 14",6,6,,,,,,,,,,,,,,,,,,,,,  
52,2,,22217-140000,, "SPRING WASHER 14",6,6,,,,,,,,,,,,,,,,,,,,,  
53,2,,772142-86140,, "TEETH ASSY",4,4,,,,,,,,,,,,,,,,,,,,,  
54,3,,172151-81600,, POINT,4,4,,,,,,,,,,,,,,,,,,,,,  
55,3,,172151-81620,, "PIN ASSY, LOCK",4,4,,,,,,,,,,,,,,,,,,,,,  
56,4,,172151-81630,, PIN,4,4,,,,,,,,,,,,,,,,,,,,,  
57,4,,172151-81640,, "LOCK,RUBBER BIN",4,4,,,,,,,,,,,,,,,,,,,,,  
58,3,,172142-86140,, "ADAPTER 16",4,4,,,,,,,,,,,,,,,,,,,,,

Silverhorn.CO.UK

Fig. 65 バケットSタイプ (アタッチメント)  
 BUCKET S-TYPE (ATTACHMENT)

7 (340S)  
 20 (490S)  
 33 (540S)  
 46 (590S)



[ Info ]  
PcNo=Y00K2651  
PcName=B25(-1)( »²¼Œ³ )  
JpnUse=1  
JpnSec1=Œš<@  
JpnSec2=fofbfNfz [ ]  
JpnSec3=B  
JpnPreface=1  
EngUse=1  
EngSec1=CONSTRUCTION  
EngSec2=EXCAVATOR (B)  
EngSec3=B  
EngPreface=1

Silverhorn.CO.UK

0,Y00K2651

1,001,, "VEHICLE B25(-1)"  
2,1,, LABEL(CANOPY),B25(-1)C(R),B25(-1)P(R),,  
2,2,, LABEL(CABIN),B25(-1)C(R),B25(-1)P(R),,  
2,3,, TOOL,B25(-1)C(R),B25(-1)P(R),,  
2,4,, "AIR CLEANER & SILENCER",B25(-1)C(R),B25(-1)P(R),,  
2,5,, ACCELERATOR,B25(-1)C(R),B25(-1)P(R),,  
2,6,, "ENGINE MOUNT & RADIATOR",B25(-1)C(R),B25(-1)P(R),,  
2,7,, "FUEL TANK & FUEL PIPE",B25(-1)C(R),B25(-1)P(R),,  
2,8,, BATTERY,B25(-1)C(R),B25(-1)P(R),,  
2,9,, "ELECTRIC PART(CANOPY)",B25(-1)C(R),B25(-1)P(R),,  
2,10,, "ELECTRIC PART(CABIN)",B25(-1)C(R),B25(-1)P(R),,  
2,11,, "WORK LAMP",B25(-1)C(R),B25(-1)P(R),,  
2,12,, HEATER,B25(-1)C(R),B25(-1)P(R),,  
2,13,, "TRACK ROLLER",B25(-1)C(R),B25(-1)P(R),,  
2,14,, "TRACK FRAME & IDLER",B25(-1)C(R),B25(-1)P(R),,  
2,15,, CRAWLER(320),B25(-1)C(R),B25(-1)P(R),,  
2,16,, "LINK STAND",B25(-1)C(R),B25(-1)P(R),,  
2,17,, "CONTROL EQUIPMENT(LEVER)",B25(-1)C(R),B25(-1)P(R),,  
2,18,, "CONTROL EQUIPMENT(LINK)",B25(-1)C(R),B25(-1)P(R),,  
2,19,, "CONTROL EQUIPMENT(LINK)(MULTI",B25(-1)C(R),B25(-1)P(R),,  
2,20,, "CONTROL EQUIPMENT(ROD)",B25(-1)C(R),B25(-1)P(R),,  
2,21,, "CONTROL EQUIPMENT(ROD)(MULTI L",B25(-1)C(R),B25(-1)P(R),,  
2,22,, "TURNING FRAME",B25(-1)C(R),B25(-1)P(R),,  
2,23,, "TURNING DRIVING GEARS",B25(-1)C(R),B25(-1)P(R),,  
2,24,, BONNET,B25(-1)C(R),B25(-1)P(R),,  
2,25,, "SEAT & STEP",B25(-1)C(R),B25(-1)P(R),,  
2,26,, CANOPY,B25(-1)C(R),B25(-1)P(R),,  
2,27,, CABIN,B25(-1)C(R),B25(-1)P(R),,  
2,28,, "BOOM CYLINDER(CABIN)",B25(-1)C(R),B25(-1)P(R),,  
2,29,, "BOOM CYLINDER(CANOPY)",B25(-1)C(R),B25(-1)P(R),,  
2,30,, "ARM CYLINDER",B25(-1)C(R),B25(-1)P(R),,  
2,31,, "BUCKET CYLINDER",B25(-1)C(R),B25(-1)P(R),,  
2,32,, "SWING CYLINDER(CABIN)",B25(-1)C(R),B25(-1)P(R),,  
2,33,, "SWING CYLINDER(CANOPY)",B25(-1)C(R),B25(-1)P(R),,  
2,34,, "BLADE CYLINDER",B25(-1)C(R),B25(-1)P(R),,  
2,35,, "HYD. OIL PUMP & JOINT",B25(-1)C(R),B25(-1)P(R),,  
2,36,, "TURNING MOTOR",B25(-1)C(R),B25(-1)P(R),,  
2,37,, "TRAVEL MOTOR",B25(-1)C(R),B25(-1)P(R),,  
2,38,, "SWIVEL JOINT",B25(-1)C(R),B25(-1)P(R),,  
2,39,, "CONTROL VALVE(TRAVEL& TURNING)",B25(-1)C(R),B25(-1)P(R),,  
2,40,, "CONTROL VALVE(ARM & BUCKET)",B25(-1)C(R),B25(-1)P(R),,  
2,41,, "CONTROL VALVE(SWING & BOOM)",B25(-1)C(R),B25(-1)P(R),,  
2,42,, "CONTROL VALVE(BLADE)",B25(-1)C(R),B25(-1)P(R),,  
2,43,, "CONTROL VALVE(P1,P2,P3)",B25(-1)C(R),B25(-1)P(R),,  
2,44,, "HYD. OIL TANK",B25(-1)C(R),B25(-1)P(R),,  
2,45,, GREASING,B25(-1)C(R),B25(-1)P(R),,  
2,46,, "HYD.OIL PIPING(V.-SWIVEL-MOTOR",B25(-1)C(R),B25(-1)P(R),,  
2,47,, "HYD. OIL PIPING(TANK-VALVE)",B25(-1)C(R),B25(-1)P(R),,  
2,48,, "HYD. OIL PIPING(TRAVEL)",B25(-1)C(R),B25(-1)P(R),,  
2,49,, "HYD.OIL PIPING(BOOM)",B25(-1)C(R),B25(-1)P(R),,  
2,50,, "BOOM & BOOM BRACKET",B25(-1)C(R),B25(-1)P(R),,  
2,51,, "ARM & BUCKET LINK",B25(-1)C(R),B25(-1)P(R),,  
2,52,, BUCKET(490),B25(-1)C(R),B25(-1)P(R),,  
2,53,, BLADE(1120),B25(-1)C(R),B25(-1)P(R),,  
2,54,, "CIGAR LIGHTTER & MANUAL CASE(O",B25(-1)C(R),B25(-1)P(R),,  
2,55,, DEFROSTER(OPTIONAL),B25(-1)C(R),B25(-1)P(R),,  
2,56,, RADIO(OPTIONAL),B25(-1)C(R),B25(-1)P(R),,  
2,57,, CRAWLER(350)(OPTIONAL),B25(-1)C(R),B25(-1)P(R),,  
2,58,, "3RD VALVE CONTROL(OPTIONAL)",B25(-1)C(R),B25(-1)P(R),,  
2,59,, "3RD VALVE PIPING(OPTIONAL)",B25(-1)C(R),B25(-1)P(R),,  
2,60,, "D-PATTERN LINK(OPTIONAL)",B25(-1)C(R),B25(-1)P(R),,  
2,61,, BLADE(850)(ATTACHMENT),B25(-1)C(R),B25(-1)P(R),,

2,62,,BUCKET(340)(ATTACHMENT),B25(-1)C(R),B25(-1)P(R),,  
2,63,,BUCKET(540)(ATTACHMENT),B25(-1)C(R),B25(-1)P(R),,  
2,64,,BUCKET(590)(ATTACHMENT),B25(-1)C(R),B25(-1)P(R),,  
2,65,, "BUCKET S-TYPE(ATTACHMENT)",B25(-1)C(R),B25(-1)P(R),,

Silverhorn.CO.UK